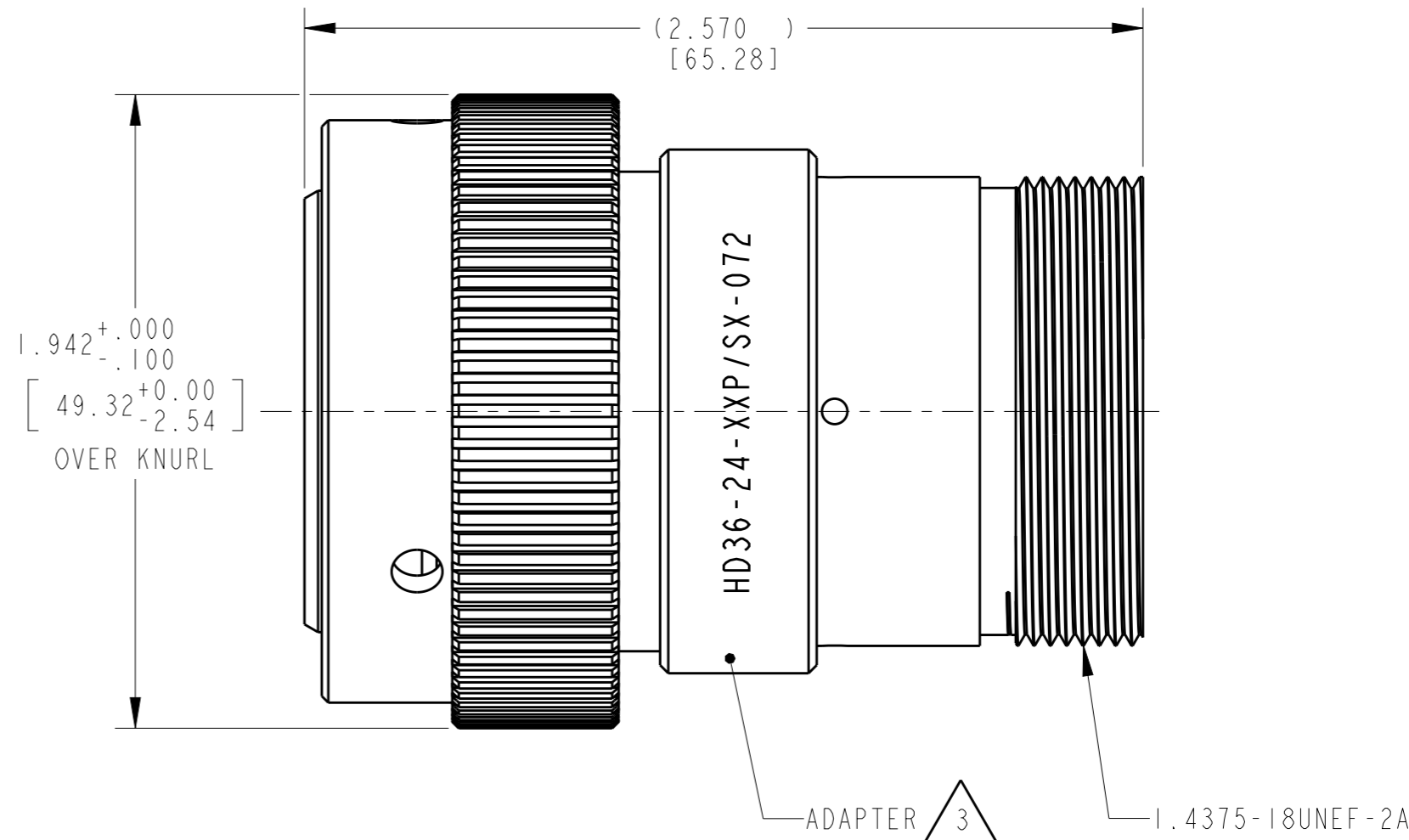
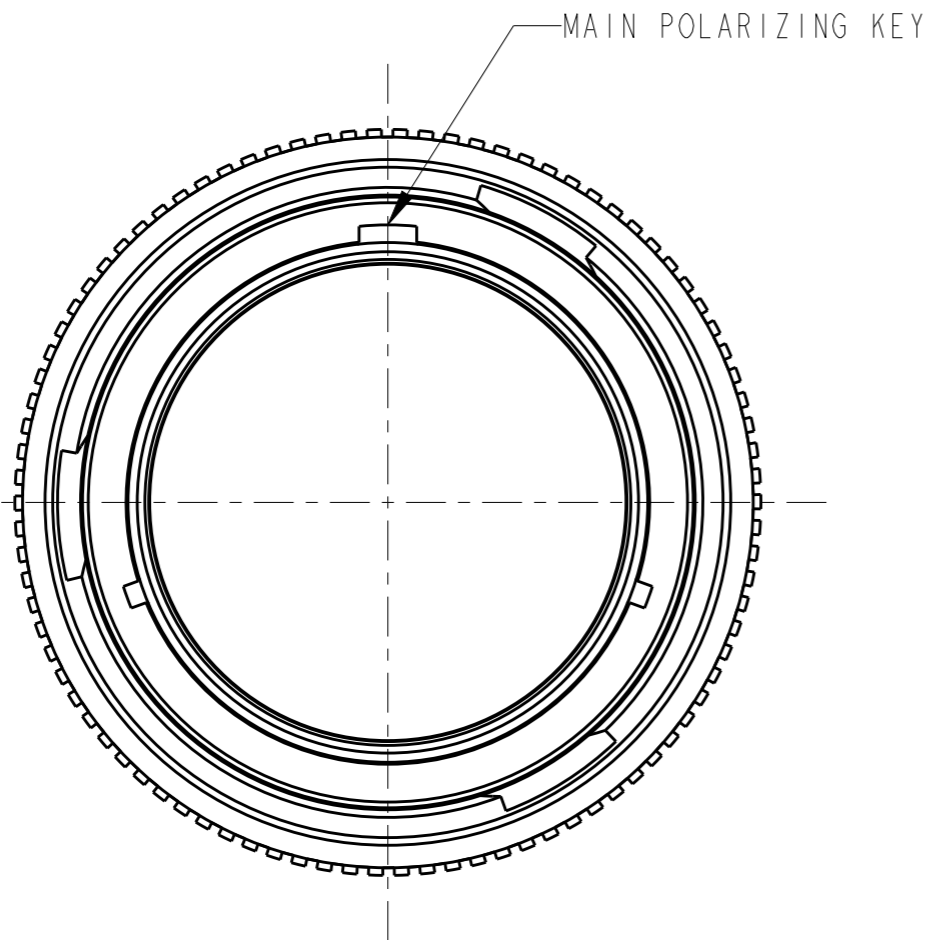


THIS DRAWING IS UNPUBLISHED
 RELEASED FOR PUBLICATION 2015
 © COPYRIGHT 2015 BY TE CONNECTIVITY ALL RIGHTS RESERVED.

LOC	DIST	REVISIONS			
P	LTR	DESCRIPTION	DATE	DWN	APVD
-	-	NC	NEW RELEASE PER E.O. P19972	14AUG2008	- RDR
		A	REVISED PER E.O. P21009	19JUL2011	- RDR
		A1	REVISED PER ECO-15-001798	19MAR2015	PV DM
		A2	REVISED PER PCN :E-17-011464	18AUG2017	DD DM



3D VIEW



3. MATERIAL:
 PLUG HOUSING: AL 6000 SERIES
 ADAPTER: AL 6000 SERIES

2. THE CONNECTOR MATES WITH HD34-24-XXS/PX-XXXX
 X = SEAL DESIGNATION, XX = NUMBER OF CAVITIES,
 XXXX = MODIFICATION DESIGNATION.

1. FOR ARRANGEMENT OF CONTACT LOCATION SEE DRAWING 0425-014-2400.

NOTES:

THIS DRAWING IS A CONTROLLED DOCUMENT.		DWN I. GRANTCHAROVA 30 JUL 2008				
DIMENSIONS: INCHES [mm]		CHK B. BAYFORD 14 AUG 2008				
TOLERANCES UNLESS OTHERWISE SPECIFIED:		APVD S. BEARD 12 AUG 2008	NAME PLUG CONNECTOR, SHELL SIZE 24 BAYONET COUPLING, MOD -072 HD30 SERIES			
		PRODUCT SPEC 0425-016-0000	SIZE A3	CAGE CODE -	DRAWING NO HD36-24-XXP/SX-072	RESTRICTED TO -
MATERIAL SEE NOTE		APPLICATION SPEC 0425-015-0000	SCALE :		SHEET 1	OF 1
FINISH -		WEIGHT -	Customer Drawing		REV A2	

X-ON Electronics

Largest Supplier of Electrical and Electronic Components

Click to view similar products for [Automotive Connectors](#) category:

Click to view products by [TE Connectivity](#) manufacturer:

Other Similar products are found below :

[003-018-000](#) [600858](#) [60403001](#) [60993906-B](#) [60993913-B](#) [629515004020001](#) [M902-2131](#) [M902-2161](#) [M902-2344](#) [72.330.1035.1](#)
[73.353.4028.0](#) [F118010](#) [F119300-B](#) [F132210](#) [F132210-B](#) [F166900](#) [F180100](#) [F258300](#) [F258300-B](#) [F294300-B](#) [F339100](#) [F339700](#) [F358300-](#)
[B](#) [F374110](#) [F407400](#) [F412210](#) [F427600](#) [F444110](#) [F487000](#) [F495100-B](#) [F500900-B](#) [F509500B-B](#) [770444-1](#) [776880-1](#) [827153-1](#) [881735-1](#)
[8N1515-32-24P](#) [9-1326729-8](#) [925467-1](#) [925474-1](#) [928905-1](#) [936398-2](#) [964562-1](#) [964562-4](#) [964731-2](#) [965051-1](#) [968782-1](#) [GT17SA-8DS-](#)
[HU](#) [GT17VS-10DP-5.2CF](#) [98315-0001](#)