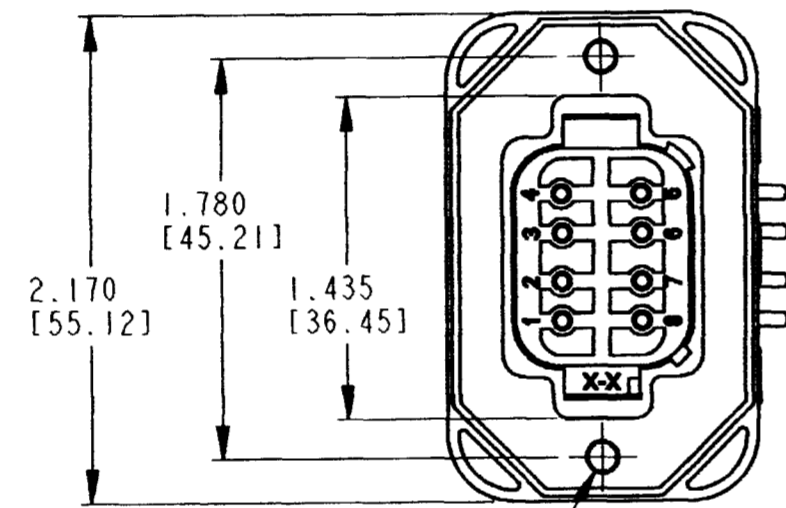
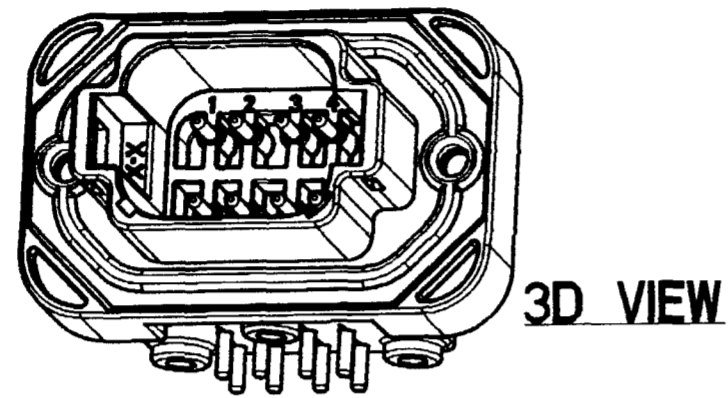
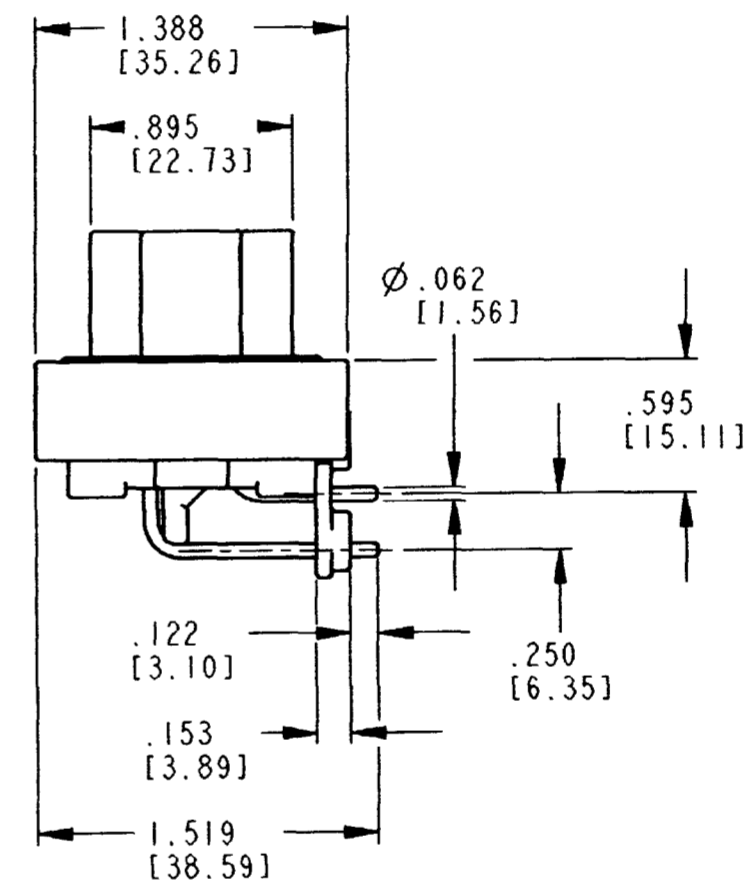
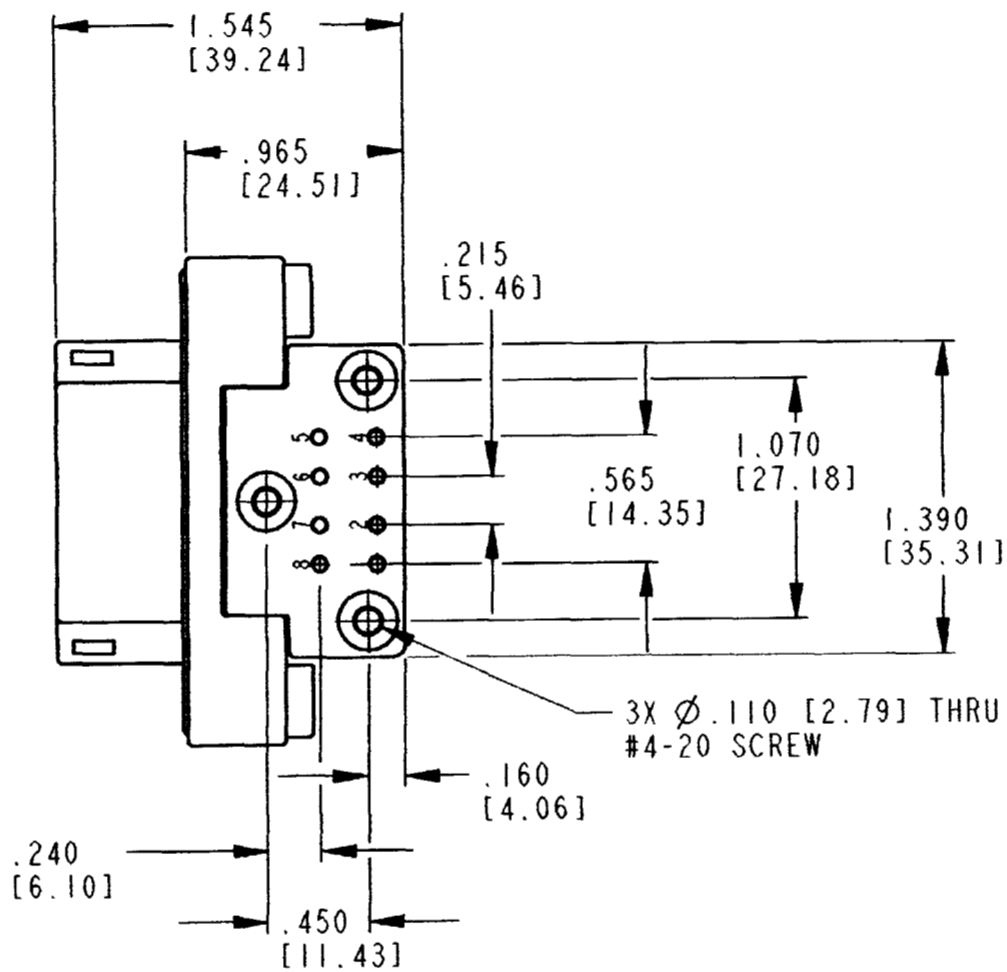


REV  
C DT13-08P \*

REVISIONS			
SYM	DESCRIPTION	DATE	APPROVED
NC	NEW RELEASE PER E.O. A13624	6/29/94	J. A.
A	REVISED PER E.O. A14754	10/28/94	R. R.
B	REACTIVATED PER E.O. P17409	10/23/01	R. D. R.
C	REVISED PER E.O. P19404	11-20-06	ADR



∅.130 [3.30] BLIND HOLE  
∇.425 [10.80] #6-19 SCREW  
FLANGE SEAL NOT SHOWN FOR CLARITY.



6. MOUNTING SCREW TORQUE VALUES ARE AS FOLLOWS:  
#6-19 SCREWS: 13±2.0 IN-LB [1.47±0.23 N-M].  
#4-20 SCREWS: 8±2.0 IN-LB [.90±0.23 N-M].  
VALUES VALID FOR PLASTITE 48 SCREWS ONLY.
5. RECOMMENDED MOUNTING SCREWS (NOT INCLUDED): CAMCAR PLASTITE 48.
4. THIS RECEPTACLE MATES WITH DT06-8S\* PLUG -\*\*\*\*- ALL MODIFICATIONS.
3. SHELL MATERIAL: PLASTIC; FLANGE SEAL MATERIAL: RUBBER.
2. DIMENSION TOLERANCE: ±.025 [.64]; FOR PANEL CUTOUTS ±.010 [.25].

NOTES: 1. DIMENSIONS ARE IN INCHES [mm].

SIGNATURE & DATE	
DR	P. BURKE 09/05/01
CHK	<i>[Signature]</i> 11/20/06
PE	<i>[Signature]</i> 11-15-06
APPD	<i>[Signature]</i> 11-20-06
SCALE	NONE WT

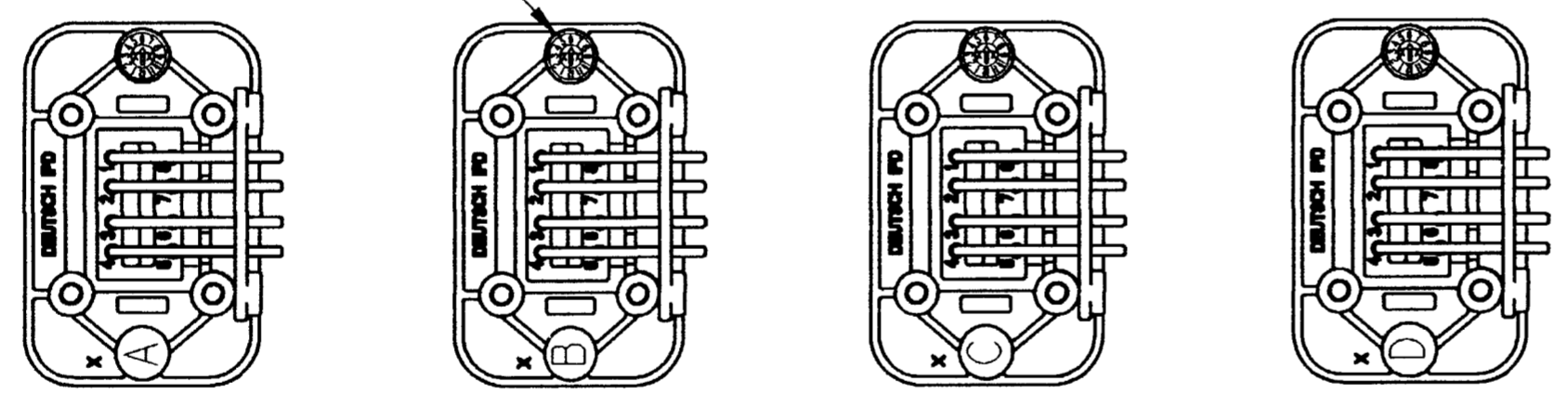
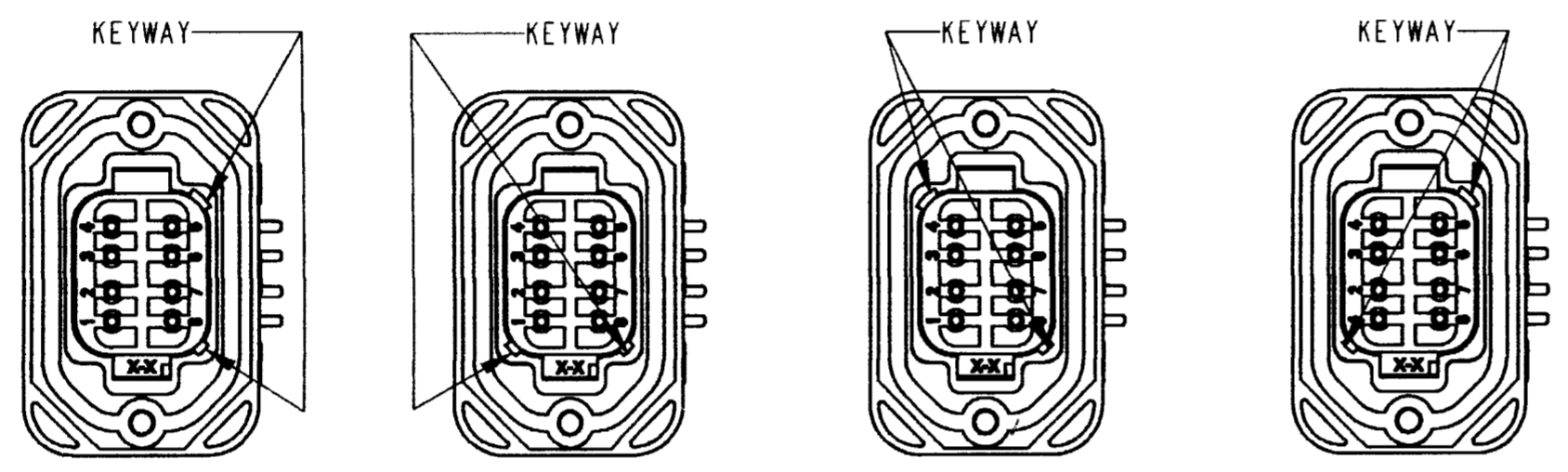
PCB MOUNT  
RECEPTACLE  
8 PIN - 90° TAILS  
DT SERIES

ENVELOPE

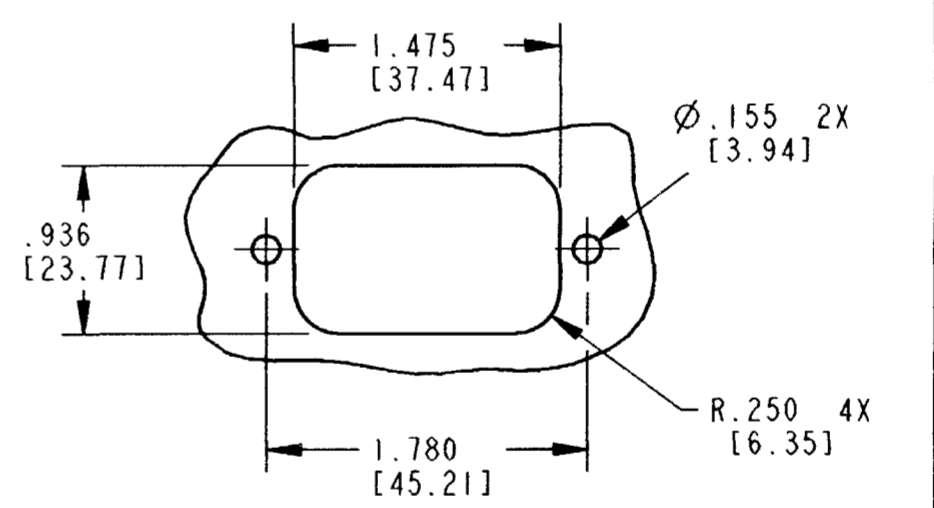
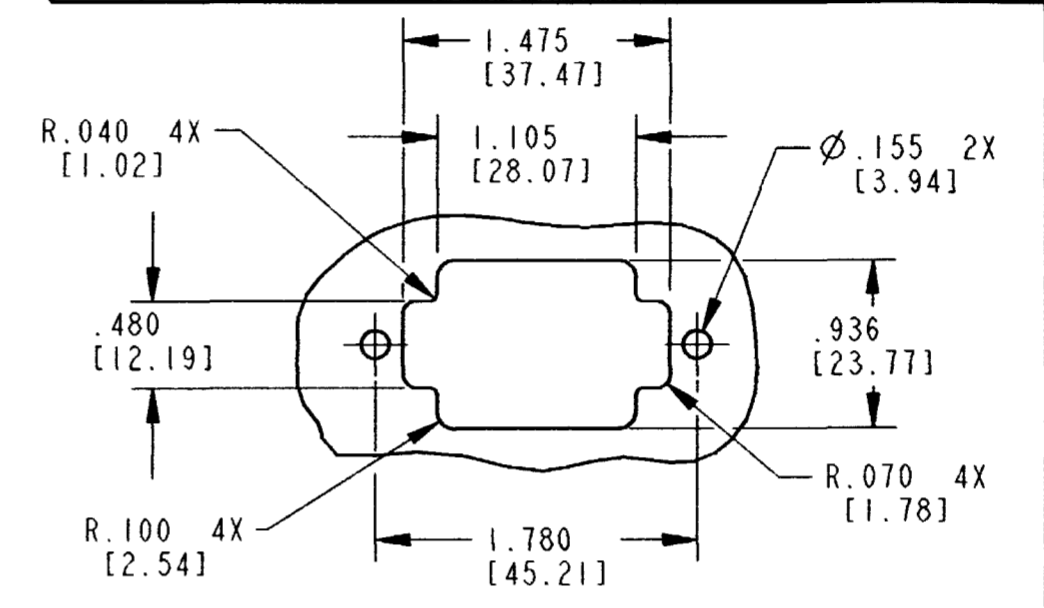
EP	MATL. CODE
<b>The Deutsch Company</b> DEUTSCH I.P.D. 3850 INDUSTRIAL AVE. HEMET, CALIF. 92545	
<b>B</b>	<b>DT13-08P *</b>
DWG SIZE	CODE 11139 SHEET 1 OF 2

REV  
C DT13-08P\*

REVISIONS			
SYM	DESCRIPTION	DATE	APPROVED
C	SEE SHEET ONE	11-20-06	ADR



DT13-08PA COLOR: GREY  
 DT13-08PB COLOR: BLACK  
 DT13-08PC COLOR: GREEN  
 DT13-08PD COLOR: BROWN



RECOMMENDED PANEL CUTOUTS

NOTES:

SIGNATURE & DATE	
DR	P. BURKE 09/05/01
CHK	[Signature] 11/13/06
PE	[Signature] 11-2-06
APPD	[Signature] 11-7-06
SCALE	NONE
WT	

PCB MOUNT  
 RECEPTACLE  
 8 PIN - 90° TAILS  
 DT SERIES

ENVELOPE

EP	MATL. CODE
The Deutsch Company DEUTSCH I.P.D. 3850 INDUSTRIAL AVE. HEMET, CALIF. 92545	
<b>B</b>	DT13-08P*
DWG SIZE	CODE 11139 SHEET 2 OF 2

## X-ON Electronics

Largest Supplier of Electrical and Electronic Components

*Click to view similar products for [Automotive Connectors](#) category:*

*Click to view products by [TE Connectivity](#) manufacturer:*

Other Similar products are found below :

[003-018-000](#) [600858](#) [60403001](#) [60993906-B](#) [60993913-B](#) [629515004020001](#) [M902-2131](#) [M902-2161](#) [M902-2344](#) [72.330.1035.1](#)  
[73.353.4028.0](#) [F118010](#) [F119300-B](#) [F132210](#) [F132210-B](#) [F166900](#) [F180100](#) [F258300](#) [F258300-B](#) [F294300-B](#) [F339100](#) [F339700](#) [F358300-](#)  
[B](#) [F374110](#) [F407400](#) [F412210](#) [F427600](#) [F444110](#) [F487000](#) [F495100-B](#) [F500900-B](#) [F509500B-B](#) [770444-1](#) [776880-1](#) [827153-1](#) [881735-1](#)  
[8N1515-32-24P](#) [9-1326729-8](#) [925467-1](#) [925474-1](#) [928905-1](#) [936398-2](#) [964562-1](#) [964562-4](#) [964731-2](#) [965051-1](#) [968782-1](#) [GT17SA-8DS-](#)  
[HU](#) [GT17VS-10DP-5.2CF](#) [98315-0001](#)