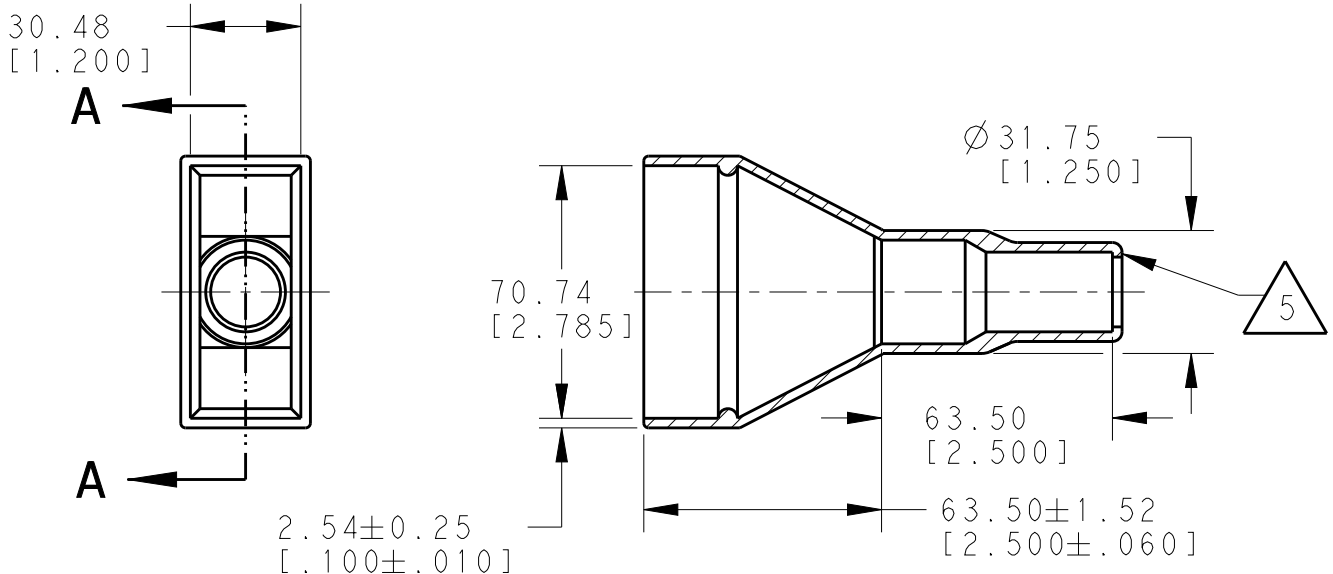
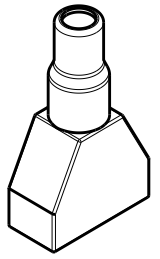


REVISIONS					
P	LTR	DESCRIPTION	DATE	DWN	APVD
	A1	REVISED PER ECO-14-011385	27JUL2014	DM	DM
	A2	REVISED PER ECO-16-005986	22FEB2016	VNB	DM
	A3	REVISED PER ECO-16-012882	31AUG2016	JA	DM




SECTION A-A

5. SMALL MATERIAL EXTENSION IS ACCEPTABLE ON THIS END ALL AROUND.
- THIS ACCESSORY PART IS PROVIDED WITHOUT TYPICAL TRANSPORTATION INDUSTRY PROCESS CONTROLS. NO VALIDATION TESTING HAS BEEN PERFORMED. CUSTOMER IS RESPONSIBLE FOR DETERMINING PRODUCT PERFORMANCE AND SUITABILITY FOR APPLICATION
 - DELETED
 - TEMPERATURE RATING: -29°C TO +100°C [-20°F TO +212°F]
 - THIS PART IS USED ON
 DRC12-40PX(E)-XXXX RECEPTACLE
 DRC14-40PX(E)-XXXX RECEPTACLE
 DRC16-40SX(E)-XXXX PLUG
 WHERE X=A,B,C,D KEYS AND XXXX=MODIFICATION



NOTES:

TE INTERNAL NUMBER	DEUTSCH PART NUMBER
DRC40-BT	DRC40-BT

DIMENSIONS: mm [INCH]	DWN D. MEYER 01JUL2014	MATERIAL PVC	FINISH BLACK
TOLERANCES UNLESS OTHERWISE SPECIFIED:	CHK D.HASIBUAN 01JUL2014	 TE Connectivity	
0 PLC ±-	APVD D. MEYER 01JUL2014		
1 PLC ±-	PRODUCT SPEC	NAME BOOT, 40 PIN DRC SERIES	
2 PLC ±0.63 [0.025]	APPLICATION SPEC	SIZE	CAGE CODE
3 PLC ±-		A4	44AFU8
4 PLC ±-		DRAWING NO	RESTRICTED TO
ANGLES ±5°		©=DRC40-BT	-
	WEIGHT 52g	CUSTOMER DRAWING	
		SCALE 1:2	SHEET 1 OF 1
			REV A3

2016

RELEASED FOR PUBLICATION

THIS DRAWING IS UNPUBLISHED.

ALL RIGHTS RESERVED. BY - TE CONNECTIVITY

X-ON Electronics

Largest Supplier of Electrical and Electronic Components

Click to view similar products for [Automotive Connectors](#) category:

Click to view products by [TE Connectivity](#) manufacturer:

Other Similar products are found below :

[003-018-000](#) [600858](#) [60403001](#) [60993906-B](#) [60993913-B](#) [629515004020001](#) [M902-2131](#) [M902-2161](#) [M902-2344](#) [72.330.1035.1](#)
[73.353.4028.0](#) [F118010](#) [F119300-B](#) [F132210](#) [F132210-B](#) [F166900](#) [F180100](#) [F258300](#) [F258300-B](#) [F294300-B](#) [F339100](#) [F339700](#) [F358300-](#)
[B](#) [F374110](#) [F407400](#) [F412210](#) [F427600](#) [F444110](#) [F487000](#) [F495100-B](#) [F500900-B](#) [F509500B-B](#) [770444-1](#) [776880-1](#) [827153-1](#) [881735-1](#)
[8N1515-32-24P](#) [9-1326727-8](#) [9-1326729-8](#) [925467-1](#) [925474-1](#) [928905-1](#) [936398-2](#) [964562-1](#) [964562-4](#) [964731-2](#) [965051-1](#) [968782-1](#)
[GT17SA-8DS-HU](#) [GT17VS-10DP-5.2CF](#)