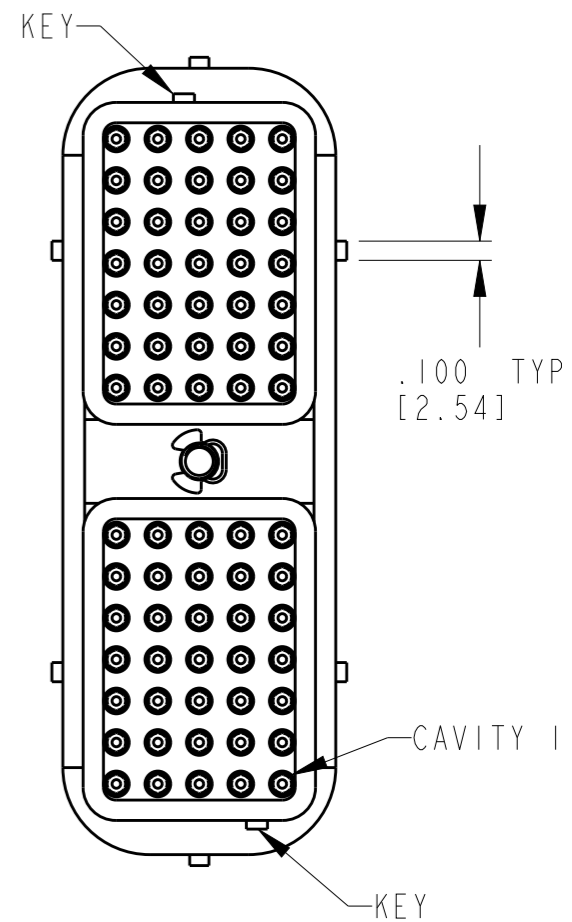
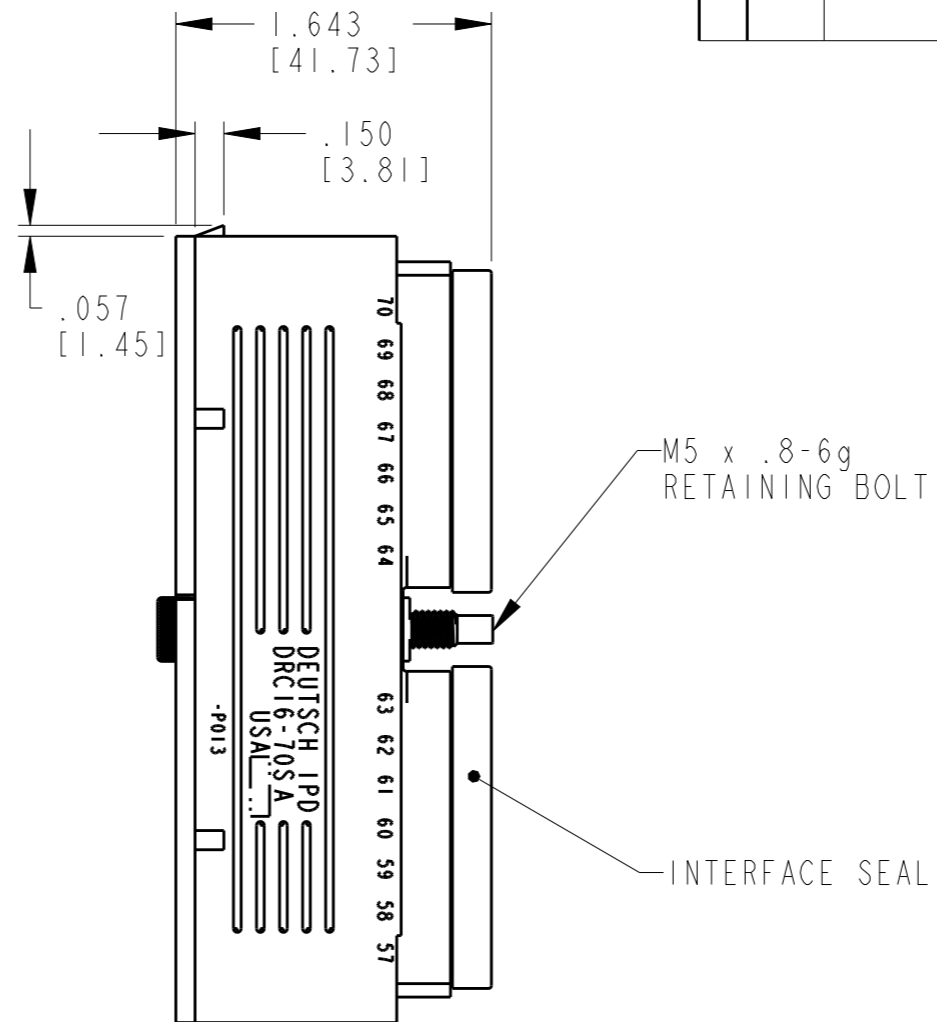
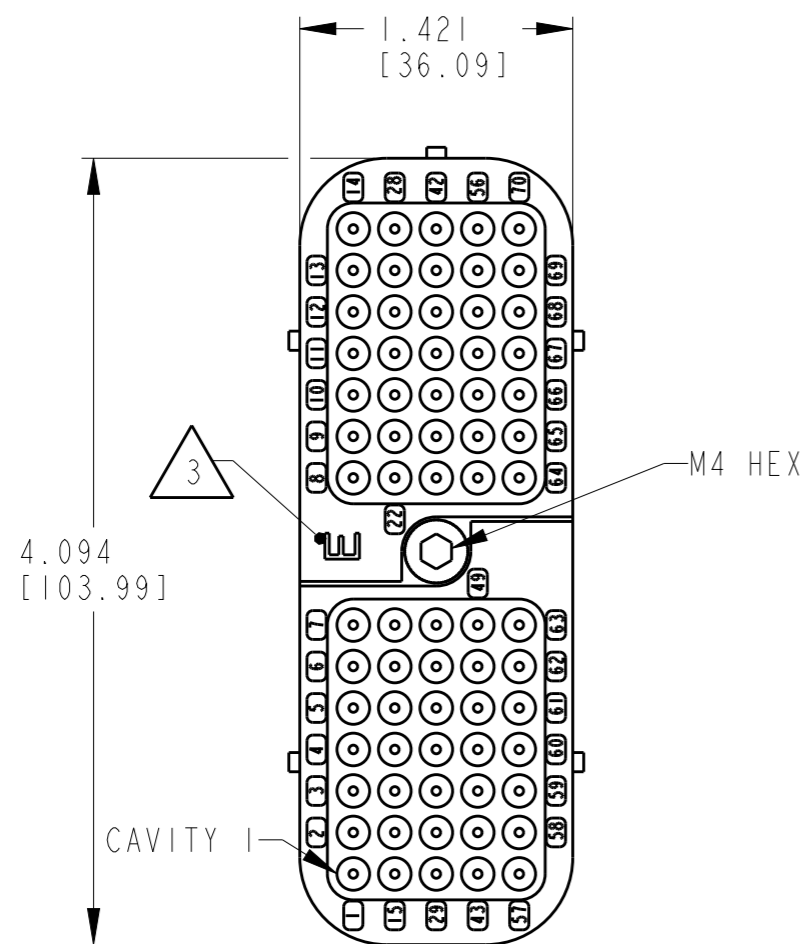


REVISIONS					
P	LTR	DESCRIPTION	DATE	DWN	APVD
	A	REVISED PER PCN E-17-009091	17MAY2017	CM	DM

MIN. INSUL. O.D.	MAX. INSUL. O.D.	WIRE RANGE [mm <sup>2</sup> ] REF ONLY
.053 [1.35]	.120 [3.05]	14-20 AWG [2.0-0.50]



7. PART MODIFICATION: INTERFACE SEALS ARE BONDED TO PLUG HOUSING.

6. SEE SHEET 2 FOR OTHER KEYS ARRANGEMENTS.

5. MATERIAL:  
 PLUG: PPS GF40 (BLACK)  
 SEAL/GROMMET: VMQ (RED-ORANGE)  
 BOLT/CLIP: STAINLESS STEEL.

4. MATING TORQUE REQUIREMENT: 25-28 IN-LB [2.82-3.16 Nm].

3. WHEN X = E: STAMPED LETTER E IDENTIFIES "E" WIRE SEAL. ORIENTATION IS OPTIONAL FOR ZONE, IT CAN BE UPSIDE DOWN.

2. THIS PLUG MATES WITH DRC12-70PAX-XXXX; DRC13-70PA-XXXX; DRC14-70PAX-XXXX.  
 (XXXX= ALL MODIFICATIONS) CONSULT FACTORY FOR MODS.

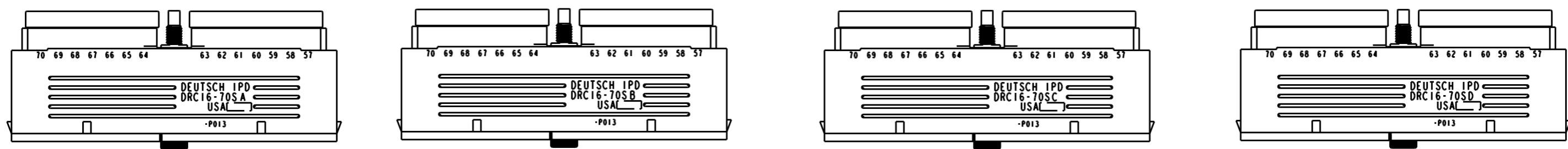
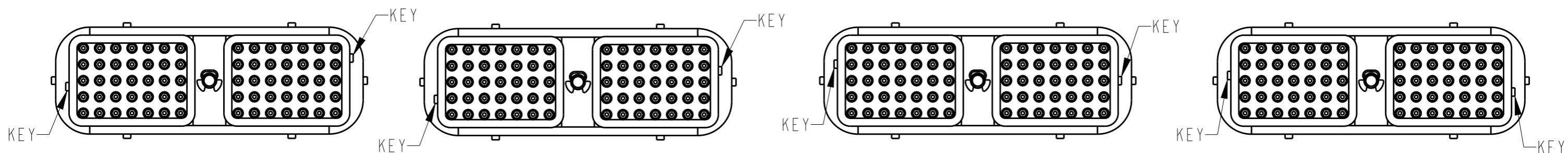
1. PLUG IS SUPPLIED WITH DUST CAP (NOT SHOWN).

NOTES: UNLESS OTHERWISE SPECIFIED

TE INTERNAL PN	DEUTSCH PN
DRC16-70SAE-P013	DRC16-70SAE-P013
DRC16-70SBE-P013	DRC16-70SBE-P013
DRC16-70SCE-P013	DRC16-70SCE-P013
DRC16-70SDE-P013	DRC16-70SDE-P013

THIS DRAWING IS A CONTROLLED DOCUMENT.		DWN J. APOSTOL 22APR2005			
DIMENSIONS: INCHES [mm]		CHK R. MESSENGER 03MAY2005			
TOLERANCES UNLESS OTHERWISE SPECIFIED:		APVD R. REED 03MAY2005		NAME PLUG 70 SIZE 16 KEYS: A,B,C,D 'E' SEAL COLOR: BLACK DRC SERIES	
0 PLC ±		PRODUCT SPEC 0425-015-0000		SIZE A3	
1 PLC ±		APPLICATION SPEC 0425-015-0000		CAGE CODE 4AFU8	
2 PLC ±		WEIGHT 154.3 g		DRAWING NO. DRC16-70SXE-P013	
3 PLC ±.025 [0.64]		CUSTOMER DRAWING		RESTRICTED TO -	
4 PLC ±		SCALE 1:1		SHEET 1 OF 2	
ANGLES ±0° 30' 0"		REV A			
FINISH -					
MATERIAL 5					

REVISIONS					
P	LTR	DESCRIPTION	DATE	DWN	APVD
-		SEE SHEET 1	-	-	-



**DRC16-70SAE-P013 KEY ARRANGEMENT -A-**      **DRC16-70SBE-P013 KEY ARRANGEMENT -B-**      **DRB16-70SCE-P013 KEY ARRANGEMENT -C-**      **DRC16-70SDE-P013 KEY ARRANGEMENT -D-**

THIS DRAWING IS A CONTROLLED DOCUMENT.		DWN J. APOSTOL 22APR2005		
DIMENSIONS: INCHES [mm]		CHK R. MESSENGER 03MAY2005		
TOLERANCES UNLESS OTHERWISE SPECIFIED:		APVD R. REED 03MAY2005	NAME PLUG 70 SIZE 16 KEYS: A,B,C,D 'E' SEAL COLOR: BLACK DRC SERIES	
		PRODUCT SPEC 0425-015-0000	SIZE A3	
MATERIAL -		APPLICATION SPEC 0425-015-0000	CAGE CODE 4AFU8	DRAWING NO DRC16-70SXE-P013
FINISH -		WEIGHT 154.3 g	RESTRICTED TO -	
		CUSTOMER DRAWING	SCALE 1:1	SHEET 2 OF 2
			REV A	

## X-ON Electronics

Largest Supplier of Electrical and Electronic Components

*Click to view similar products for [Automotive Connectors](#) category:*

*Click to view products by [TE Connectivity](#) manufacturer:*

Other Similar products are found below :

[003-018-000](#) [600858](#) [60403001](#) [60993906-B](#) [60993913-B](#) [629515004020001](#) [M902-2131](#) [M902-2161](#) [M902-2344](#) [72.330.1035.1](#)  
[73.353.4028.0](#) [F118010](#) [F119300-B](#) [F132210](#) [F132210-B](#) [F166900](#) [F180100](#) [F258300](#) [F258300-B](#) [F294300-B](#) [F339100](#) [F339700](#) [F358300-](#)  
[B](#) [F374110](#) [F407400](#) [F412210](#) [F427600](#) [F444110](#) [F487000](#) [F495100-B](#) [F500900-B](#) [F509500B-B](#) [770444-1](#) [776880-1](#) [827153-1](#) [881735-1](#)  
[8N1515-32-24P](#) [9-1326727-8](#) [9-1326729-8](#) [925467-1](#) [925474-1](#) [928905-1](#) [936398-2](#) [964562-1](#) [964562-4](#) [964731-2](#) [965051-1](#) [968782-1](#)  
[GT17SA-8DS-HU](#) [GT17VS-10DP-5.2CF](#)