

THIS DRAWING IS UNPUBLISHED.

RELEASED FOR PUBLICATION

-. - .

REVISIONS

© COPYRIGHT - By -

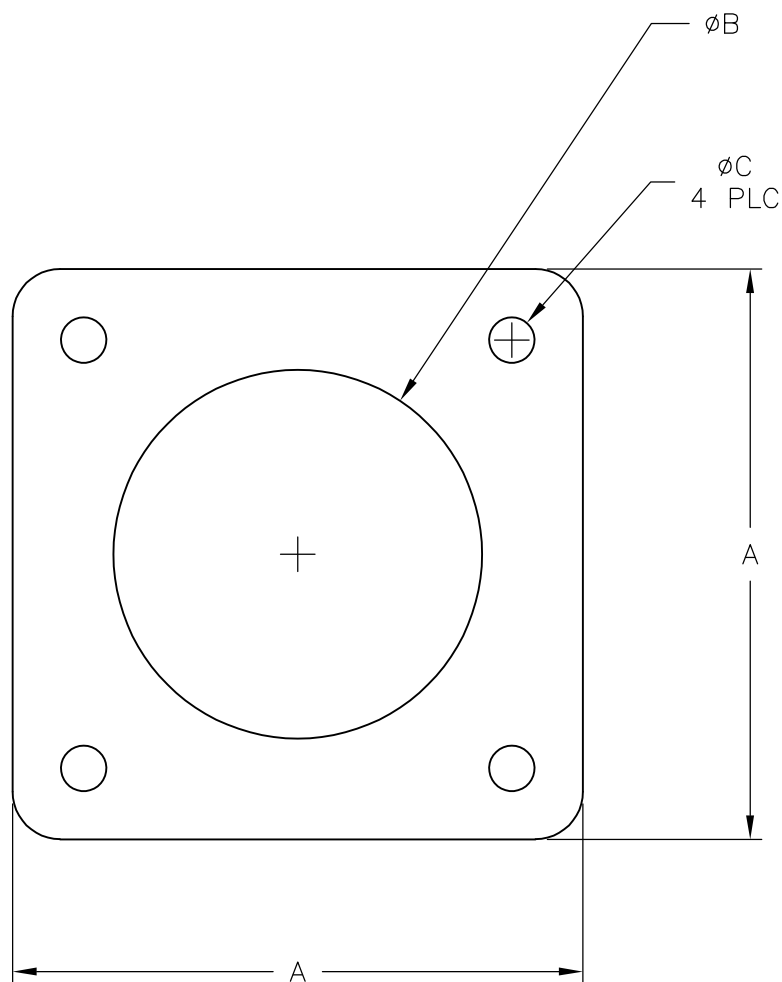
ALL RIGHTS RESERVED.

P	LTR	DESCRIPTION	DATE	DWN	APVD
	C1	REVISED PER ECO-11-004820	11MAR11	RK	HMR
	D	REVISED PER ECO-17-000037	10MAR2017	RS	MZ

NOTES:

1 MATERIAL: NEOPRENE, BLACK.

2 OBSOLETE PART NUMER.



2	.125	1.030	1.185	14	81665-8
2	.120	1.110	1.530	22	81665-7
2	.142	1.492	1.950	28	81665-6
	.145	1.488	1.875	23	81665-5
	.120	.862	1.375	13	81665-4
	.120	.737	1.188	11	81665-3
	.145	1.100	1.500	17	81665-2
	.120	.970	1.500	-	81665-1
	C	B	A	CPC SHELL SIZE	PART NO.

THIS DRAWING IS A CONTROLLED DOCUMENT.		DWN S SCHLEGEL 16JUL03	TE Connectivity		
DIMENSIONS: INCHES		CHK S HEADER 7/16/03			
		APVD S HEADER 7/16/03	PRODUCT SPEC		
TOLERANCES UNLESS OTHERWISE SPECIFIED: 0 PLC ± - 1 PLC ± - 2 PLC ± - 3 PLC ± .015 4 PLC ± - ANGLES ± -		APPLICATION SPEC	RESTRICTED TO		
MATERIAL		WEIGHT	SIZE	CAGE CODE	DRAWING NO
1		-	A3	00779	C-81665
CUSTOMER DRAWING			SCALE	SHEET	REV
			NTS	1 OF 1	D

X-ON Electronics

Largest Supplier of Electrical and Electronic Components

Click to view similar products for [Standard Circular Connector](#) category:

Click to view products by [TE Connectivity](#) manufacturer:

Other Similar products are found below :

[C015](#) [10F006](#) [001](#) [1](#) [5M2530B10P](#) [600259N006](#) [600273N007](#) [600432N009](#) [6280-2PG-519](#) [6280-3PG-311](#) [6280-3SG-311](#) [6280-7SG-3DC](#)
[6280-7SG-522](#) [6282-5PG-311](#) [6282-6PG-519](#) [6282-8SG-311](#) [6283-11](#) [6283-15](#) [6290](#) [6382-2PG-311](#) [6382-2PG-3DC](#) [6382-2SG-321](#) [6382-2SG-3DC](#) [6382-4SG-516](#) [67-03E20-37P](#) [680-SMG](#) [681-PMG](#) [CXS3102A14S2P](#) [CXS3102A181S](#) [CXS3106A14S6S](#) [MB12P-1](#) [MB12R-6](#)
[7251-2PG-300](#) [7251-2SG-300](#) [7251-4PG-300](#) [7251-4SG-300](#) [7251-5PG-300](#) [7251-5SG-300](#) [7251-6SG-300](#) [7251-7PG-300](#) [7251-8PG-300](#)
[7271-6SG-300](#) [7282-3PG-300-CH3](#) [73000005663](#) [75-190216-08S](#) [75-190218-10P](#) [75-474118-10P](#) [75-474618-01S](#) [75-474620-07P](#) [799539-000](#) [MI8-SE](#) [80-190222-18P](#) [805-005-07NF11-19PC](#)