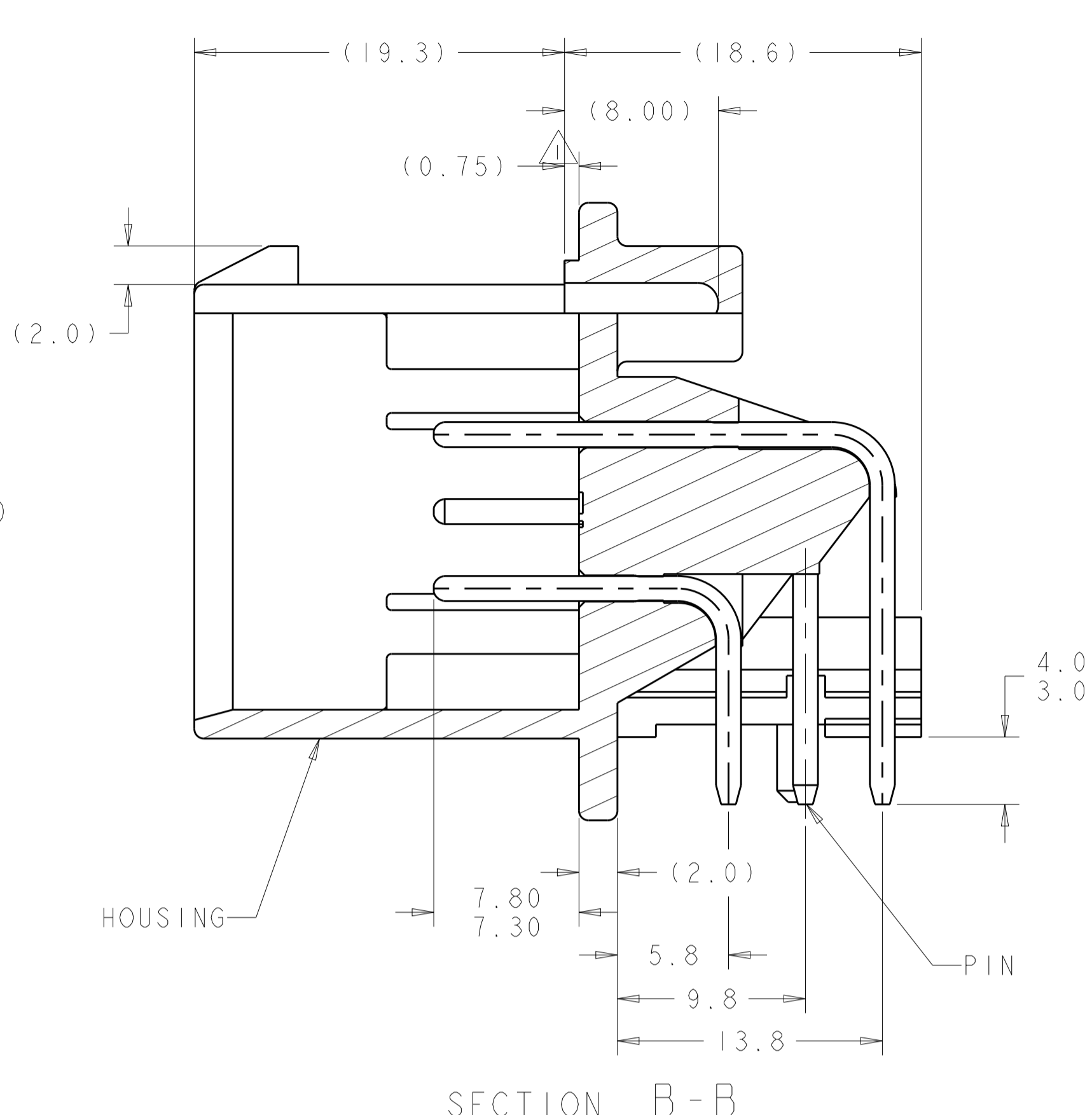
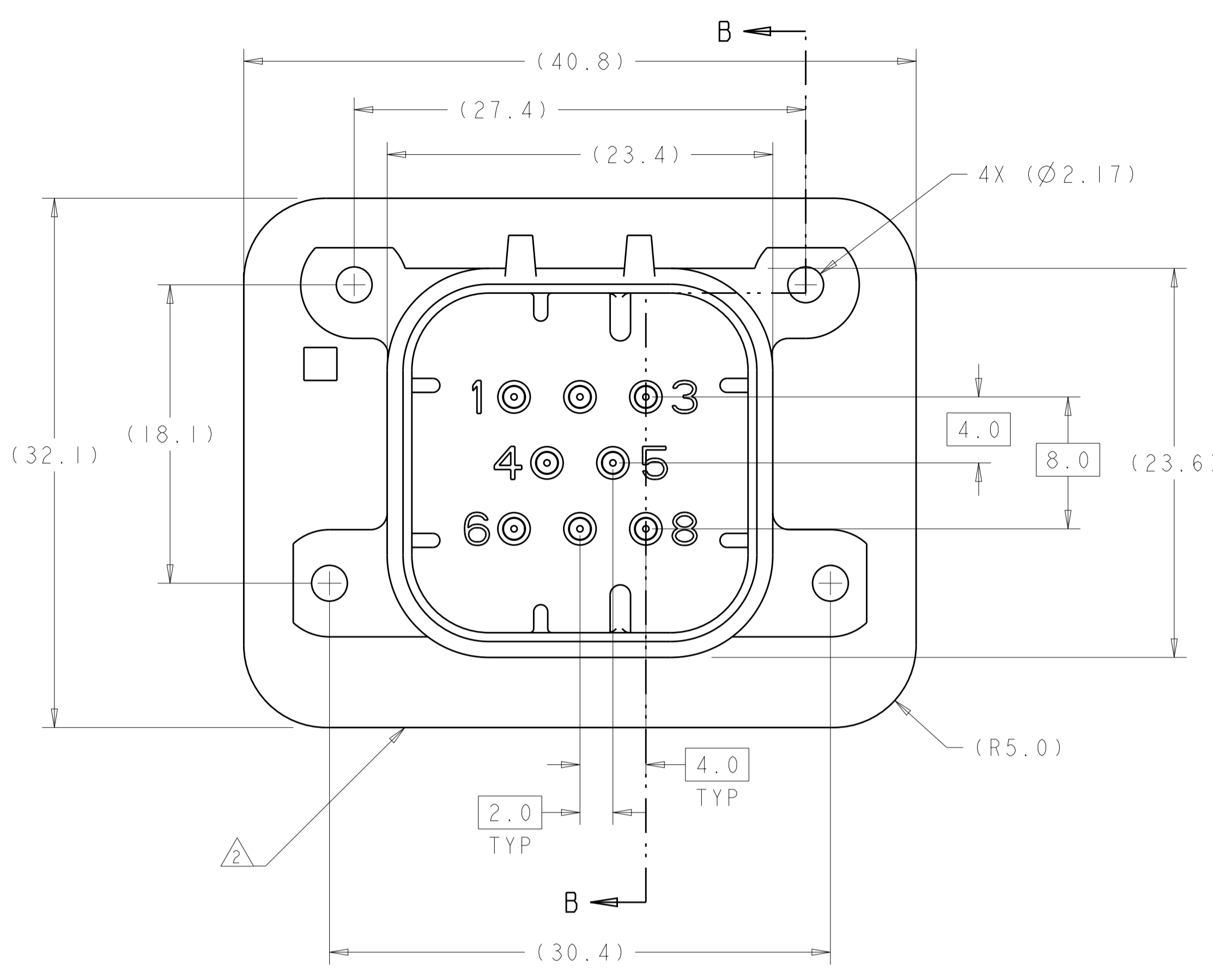
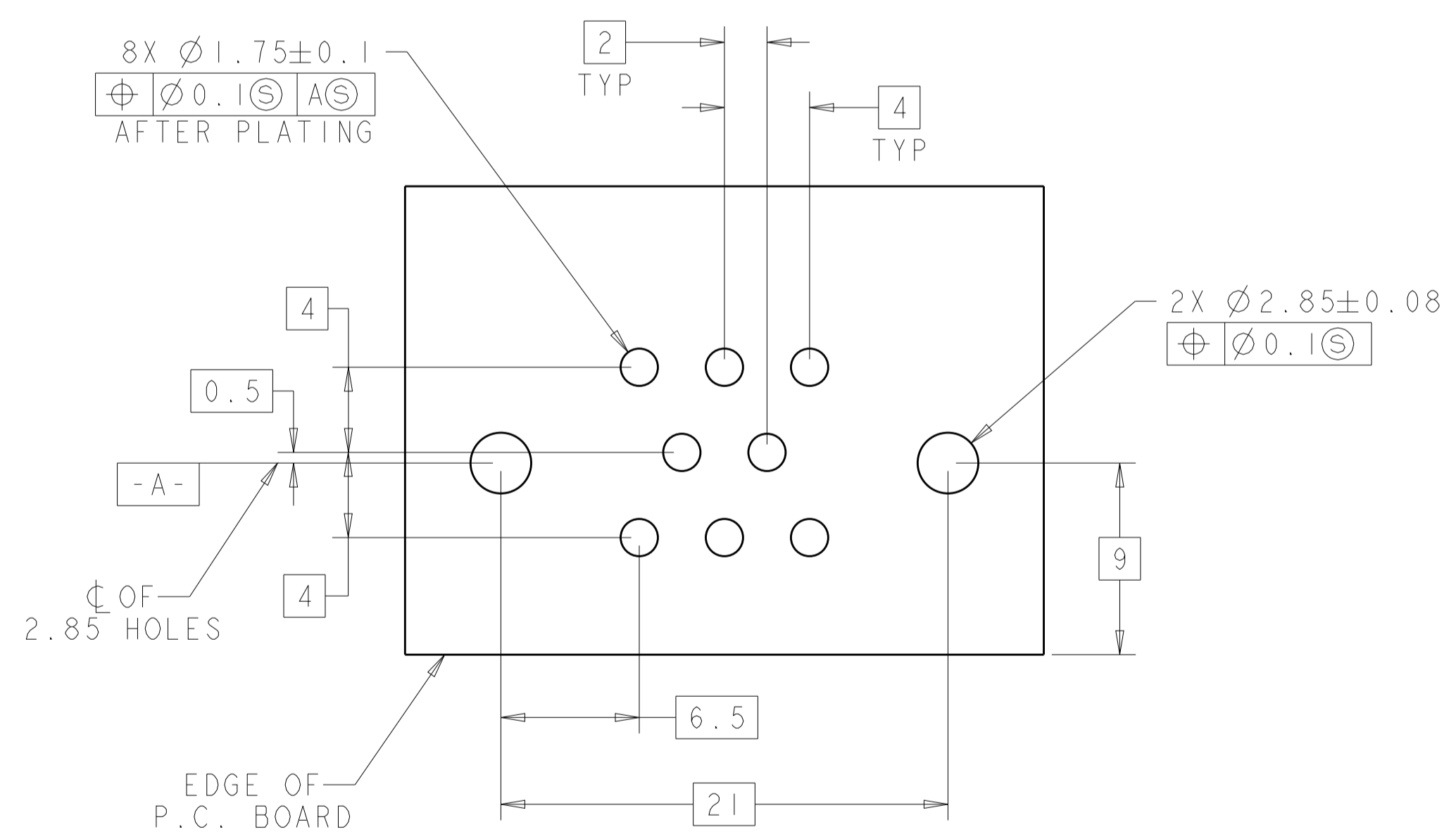
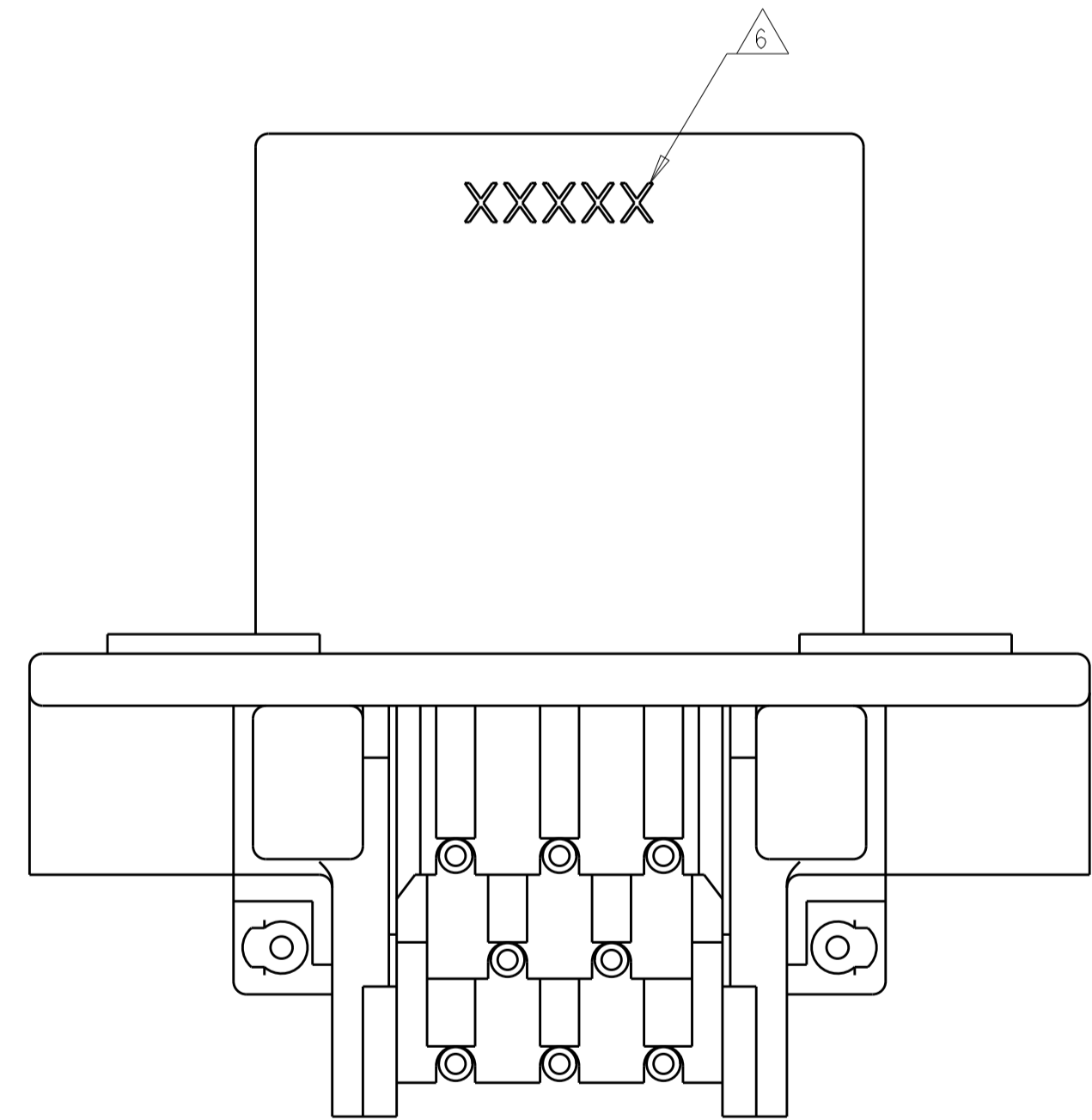


REVISIONS				
P.	LTN	DESCRIPTION	DATE	APP'D
F4		REVISED PER ECO-13-020268	31DEC2013	DD DS
F5		REVISED PER ECO-14-019367	20JAN2015	DD DS
F6		REVISED PER ECO-15-003872	25MAR2015	DD DS
F7		REVISED PER ECO-16-003526	09MAR2016	JM DS



- 1 ACCEPTS #3 SELF TAPPING THREAD FORMING SCREWS OR METRIC EQUIVALENT. DRIVE TO 0.6-0.8 N-m.
- 2 HOUSING COLORS ARE MECHANICALLY KEYS TO MATE ONLY WITH IDENTICALLY COLORED PLUG ASSEMBLIES.
- 3 REFER TO PAGE 2 FOR 776279-6 ASSEMBLY DIMENSIONS, RECOMMENDED MOUNTING HOLE AND P.C. BOARD LAYOUT ARE THE SAME FOR ALL DASH NUMBERS.
- 4. HEADER MATES TO PLUG ASSEMBLY 776286 WHICH USES REELED TERMINAL 770520 AND LOOSE PIECE TERMINAL 770854.
- 5 MATERIALS: GASKET - SILICONE
 HEADER HOUSING - GLASS FILLED PBT
 PINS - TIN OR GOLD PLATED BRASS
- 6 DATE CODE TO BE BRANDED IN THIS LOCATION PER TE SPEC 102-60. USE 5 DIGIT CODE: FIRST 2 DIGITS = YEAR, SECOND 2 DIGITS = WEEK, LAST DIGIT = DAY



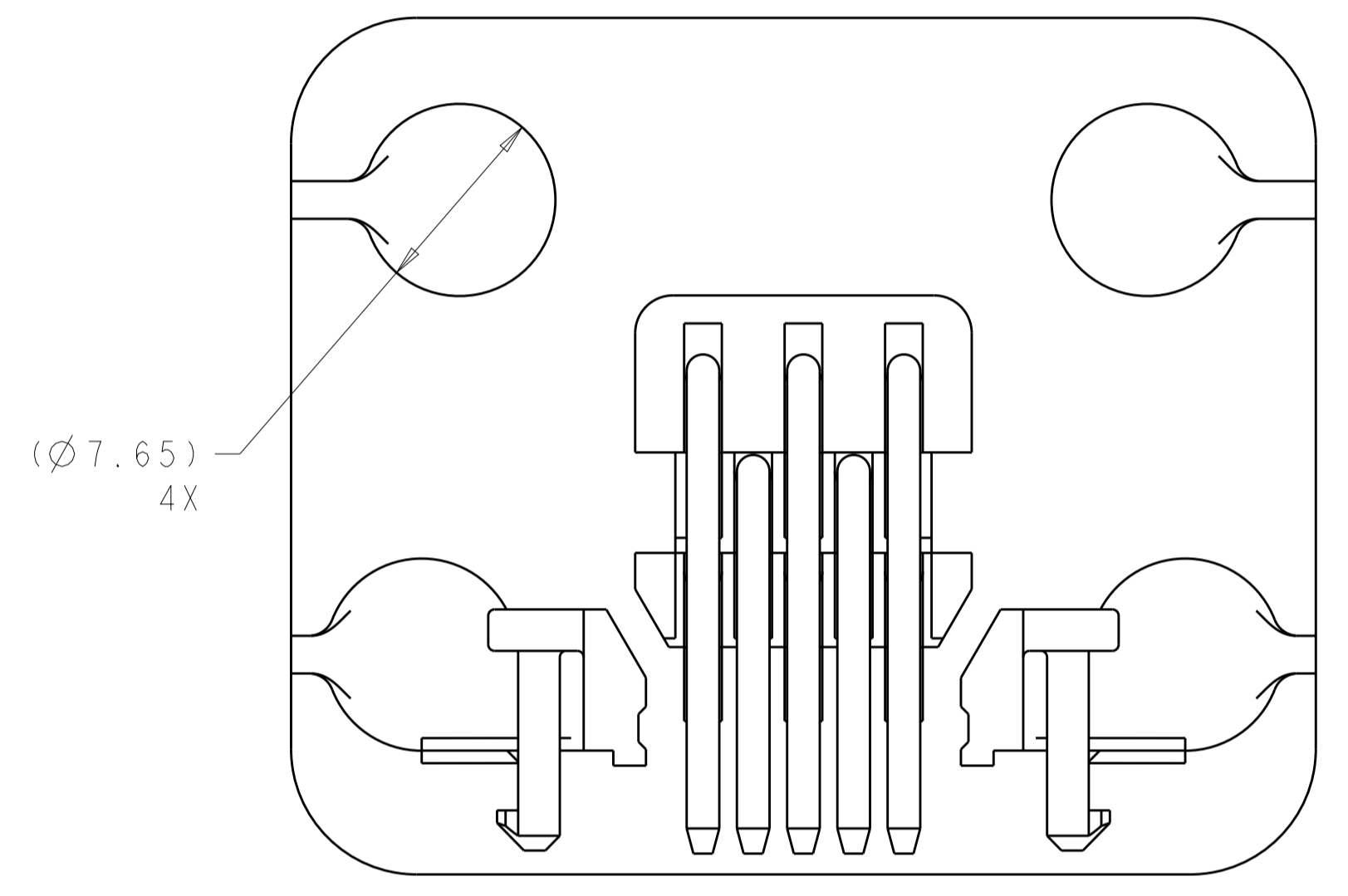
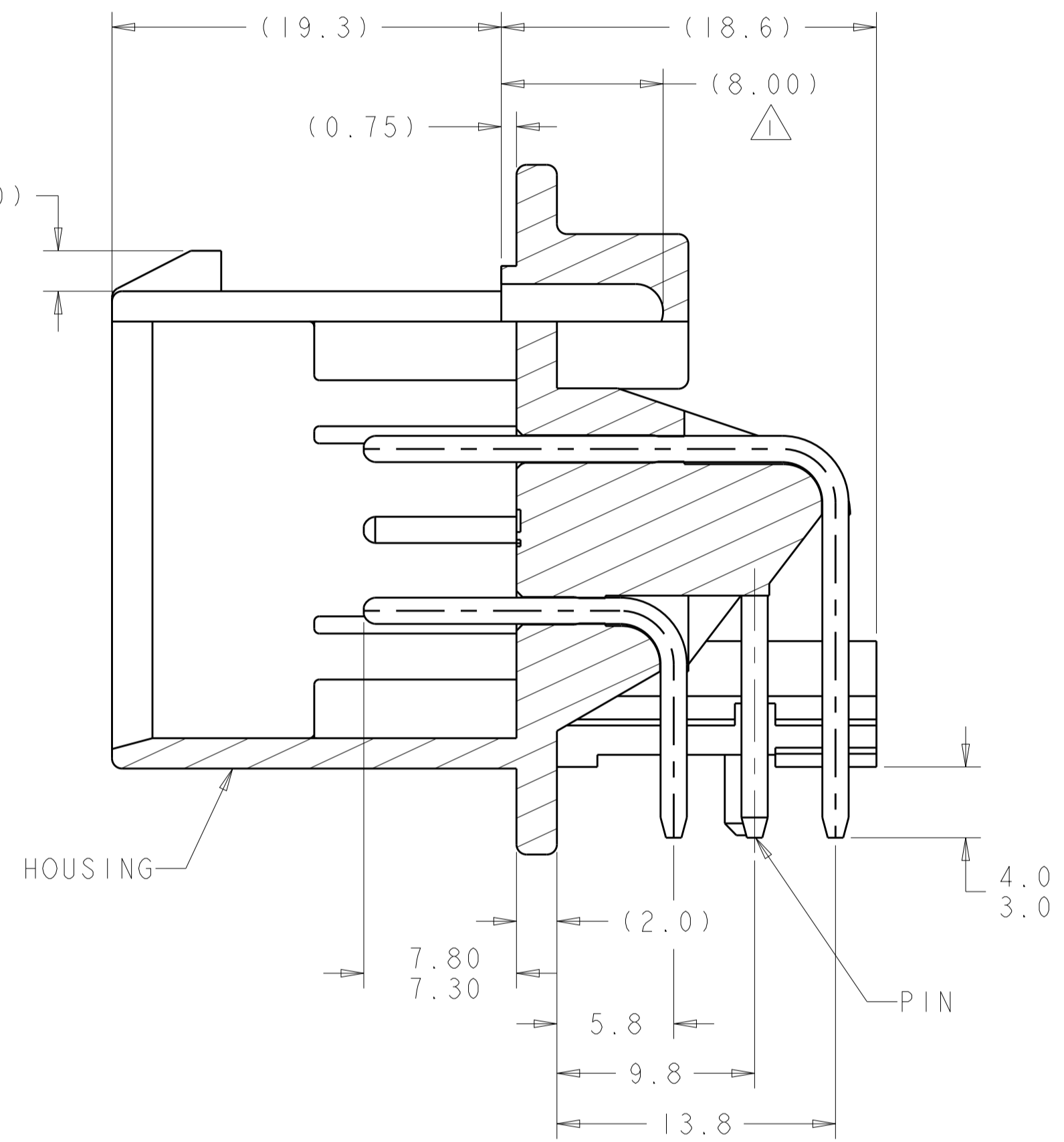
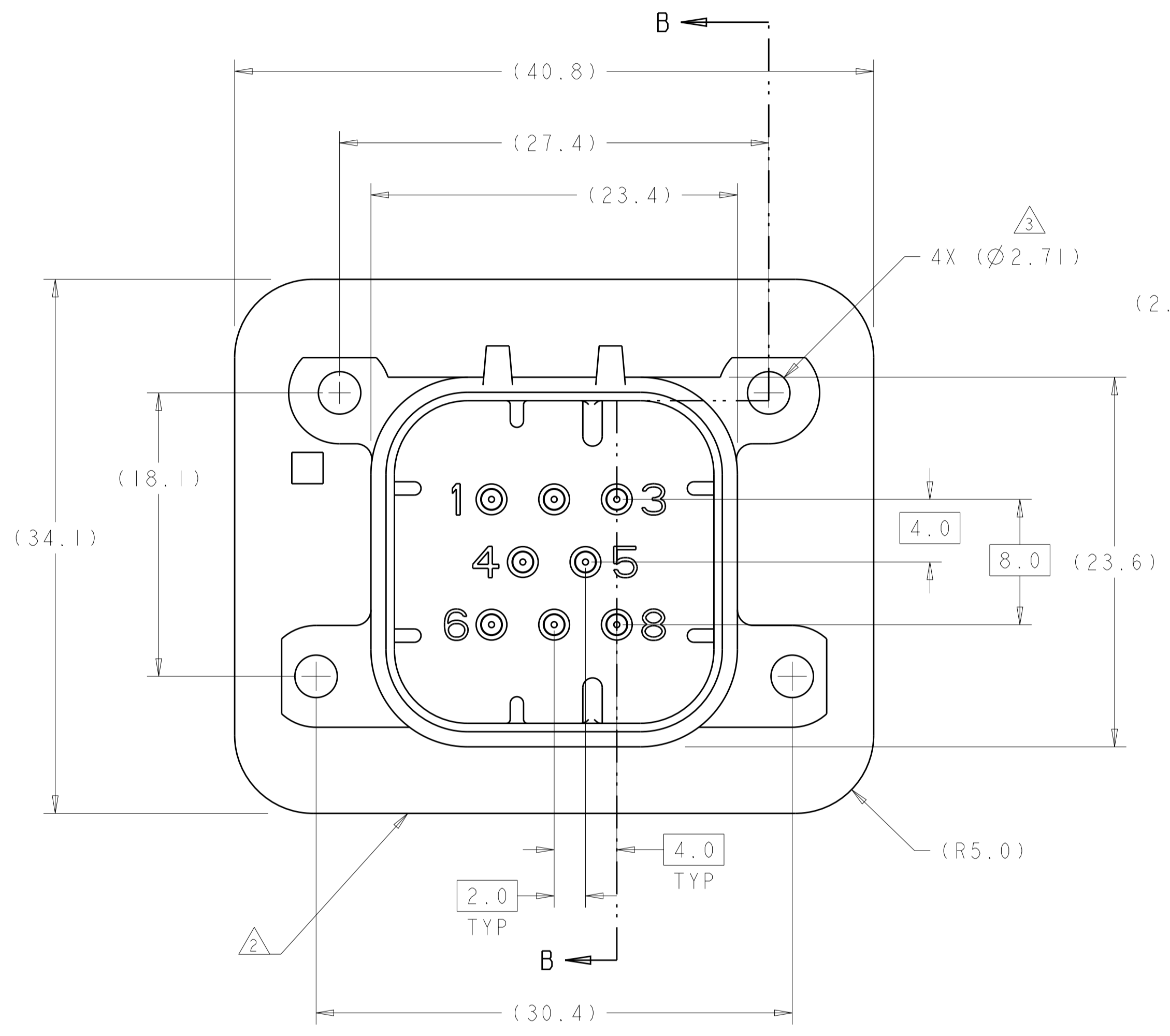
RECOMMENDED P.C. BOARD LAYOUT FOR 1.57 THICK P.C. BOARD

NATURAL	DURAGOLD PLATED	1-776279-2
BLACK	DURAGOLD PLATED	1-776279-1
BLACK	TIN PLATED	3 776279-6
NATURAL	TIN PLATED	776279-2
BLACK	TIN PLATED	776279-1
HEADER HOUSING COLOR	PIN	PART NUMBER

THIS DRAWING IS A CONTROLLED DOCUMENT.		OWN J. MARKEY 29FEB08	TE Connectivity NAME: HEADER ASSEMBLY, 8 POSITION, RIGHT ANGLE, AMPSEAL PRODUCT SPEC: 108-1329 APPLICATION SPEC: 114-16016 SIZE: A1 CAGE CODE: 00779 DRAWING NO: 776279 RESTRICTED TO: - WEIGHT: - CUSTOMER DRAWING: -
DIMENSIONS:	TOLERANCES UNLESS OTHERWISE SPECIFIED:	CHK J. MARKEY 29FEB08	
mm	0 PLC ±0.2 2 PLC ±0.13 3 PLC ±0.13 4 PLC ±0.13 ANGLES ±0.5°	APP'D J. MARKEY 29FEB08	
MATERIAL	FINISH	SCALE 4:1 SHEET 1 OF 3 REV F7	

REVISIONS				
P.	LTN.	DESCRIPTION	DATE	APVD.
-	-	SEE SHEET 1	-	-

- 1 ACCEPTS #4-20 SELF TAPPING THREAD FORMING TWIN HELIX PLASTITE SCREW (SINGLE HELIX OPTIMAL)
- 2 HOUSING COLORS ARE MECHANICALLY KEYED TO MATE ONLY WITH IDENTICALLY COLORED PLUG ASSEMBLIES.
- 3 0° 30' MAX DRAFT FROM TOP OF HOLE (1° INCLUDED ANGLE)

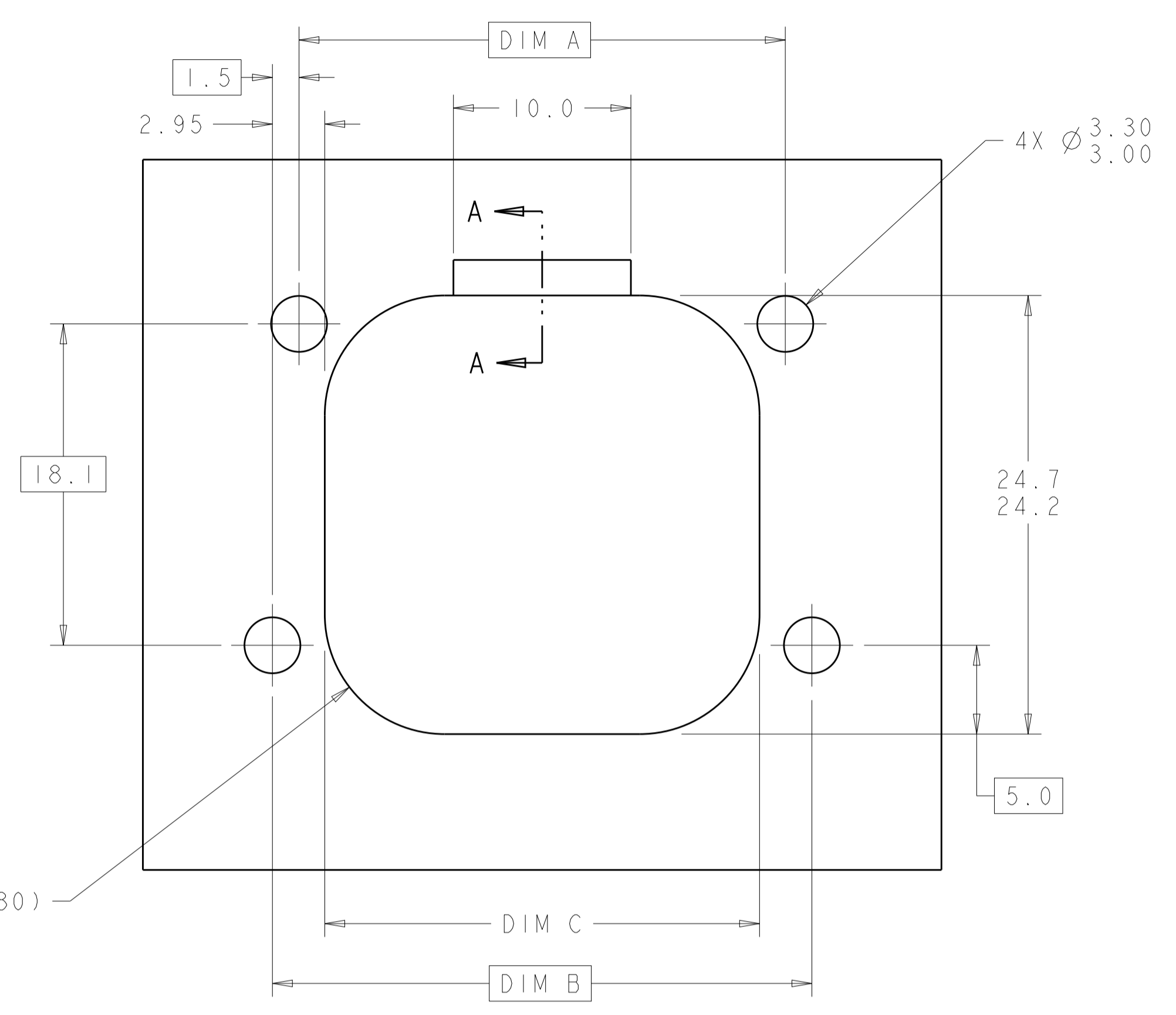


ASSEMBLY DIMENSIONS APPLY TO 776279-6 ONLY
 (HOLE LAYOUT AND P.C. BOARD LAYOUT SHOWN APPLY TO ALL DASH NUMBERS)

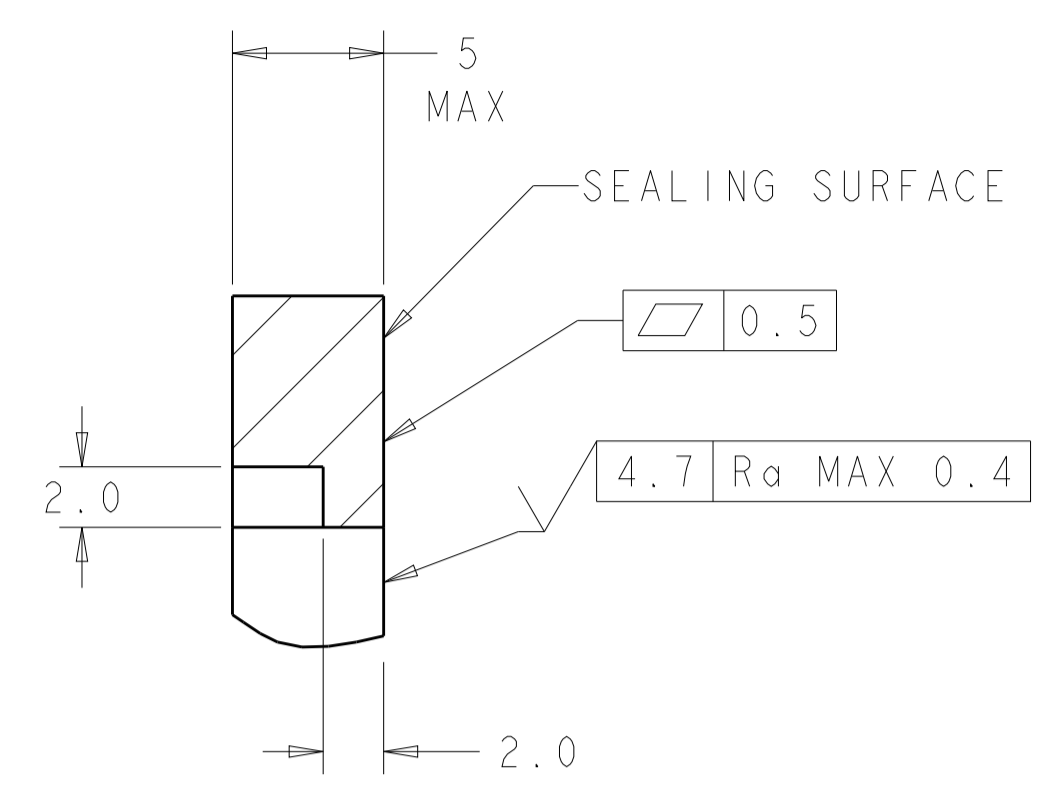
BLACK	TIN PLATED	776279-6
HEADER HOUSING COLOR	PIN	PART NUMBER

THIS DRAWING IS A CONTROLLED DOCUMENT.		DWN J. MARKEY 29FEB08	TE Connectivity NAME: HEADER ASSEMBLY, 8 POSITION, RIGHT ANGLE, AMPSEAL
DIMENSIONS: mm		CHK J. MARKEY 29FEB08	
TOLERANCES UNLESS OTHERWISE SPECIFIED:		APVD J. MARKEY 29FEB08	
0 PLC ± 1 PLC ±0.2 2 PLC ±0.13 3 PLC ± 4 PLC ± ANGLES ±°		PRODUCT SPEC 108-1329 APPLICATION SPEC 114-16016 WEIGHT - CUSTOMER DRAWING	
MATERIAL -		SIZE CAGE CODE DRAWING NO. A100779C=776279	RESTRICTED TO
FINISH -		SCALE 4:1	SHEET 2 OF 3 REV F7

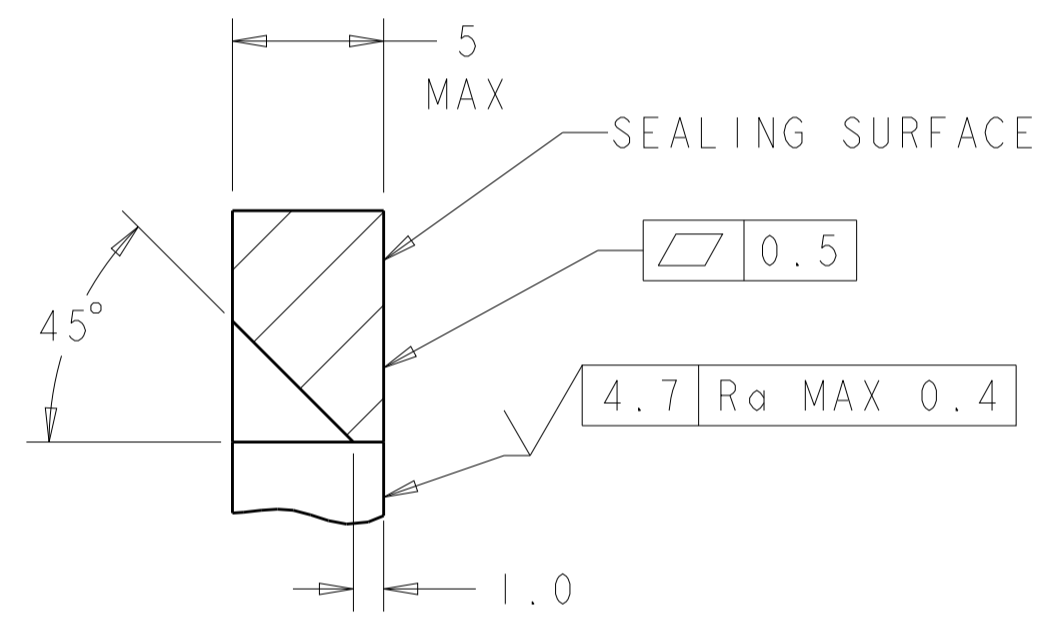
REVISIONS				
P.	LTN.	DESCRIPTION	DATE	APVD.
-	-	SEE SHEET 1	-	-



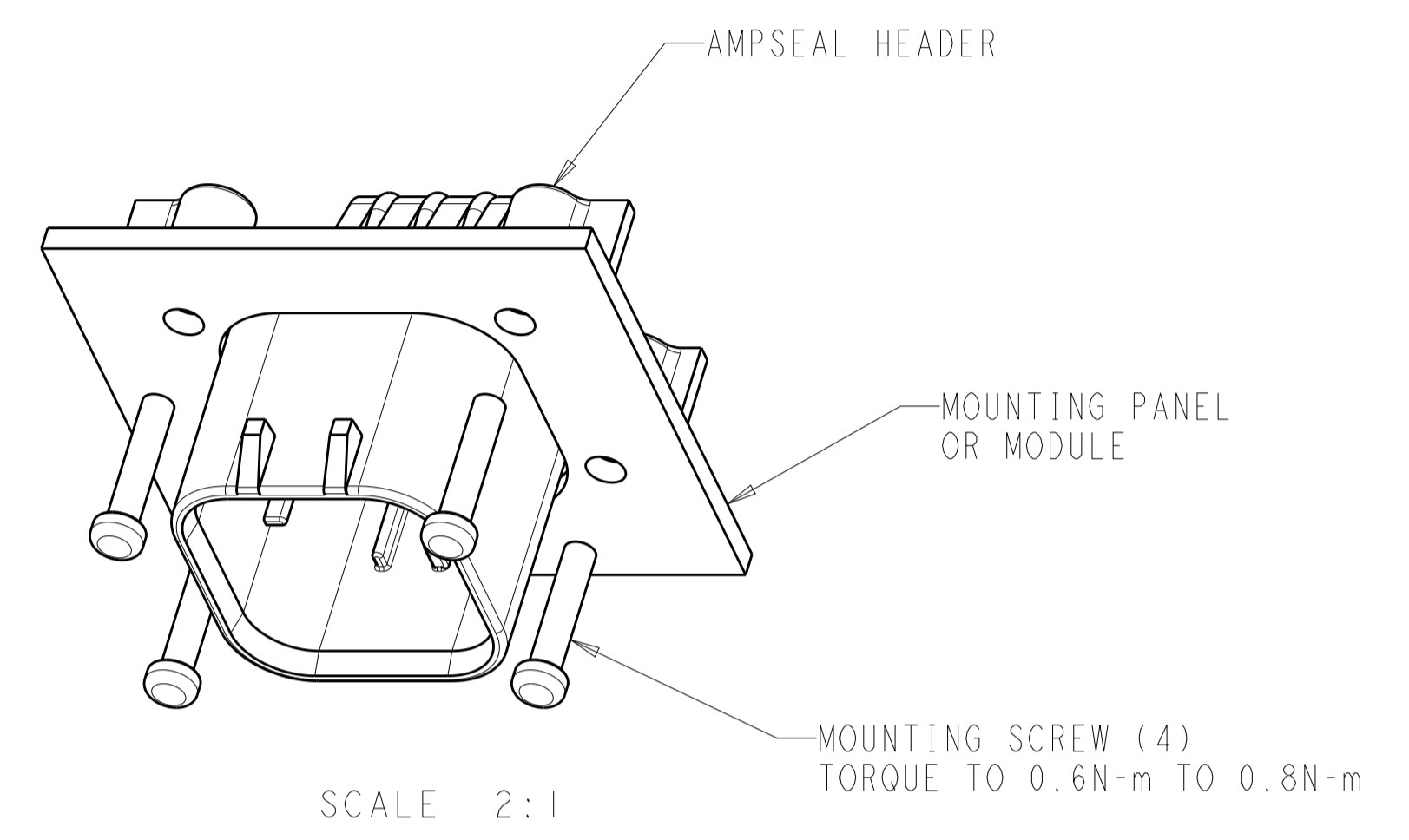
RECOMMENDED MOUNTING HOLE LAYOUT FOR 5.0 MAX THICK PANEL



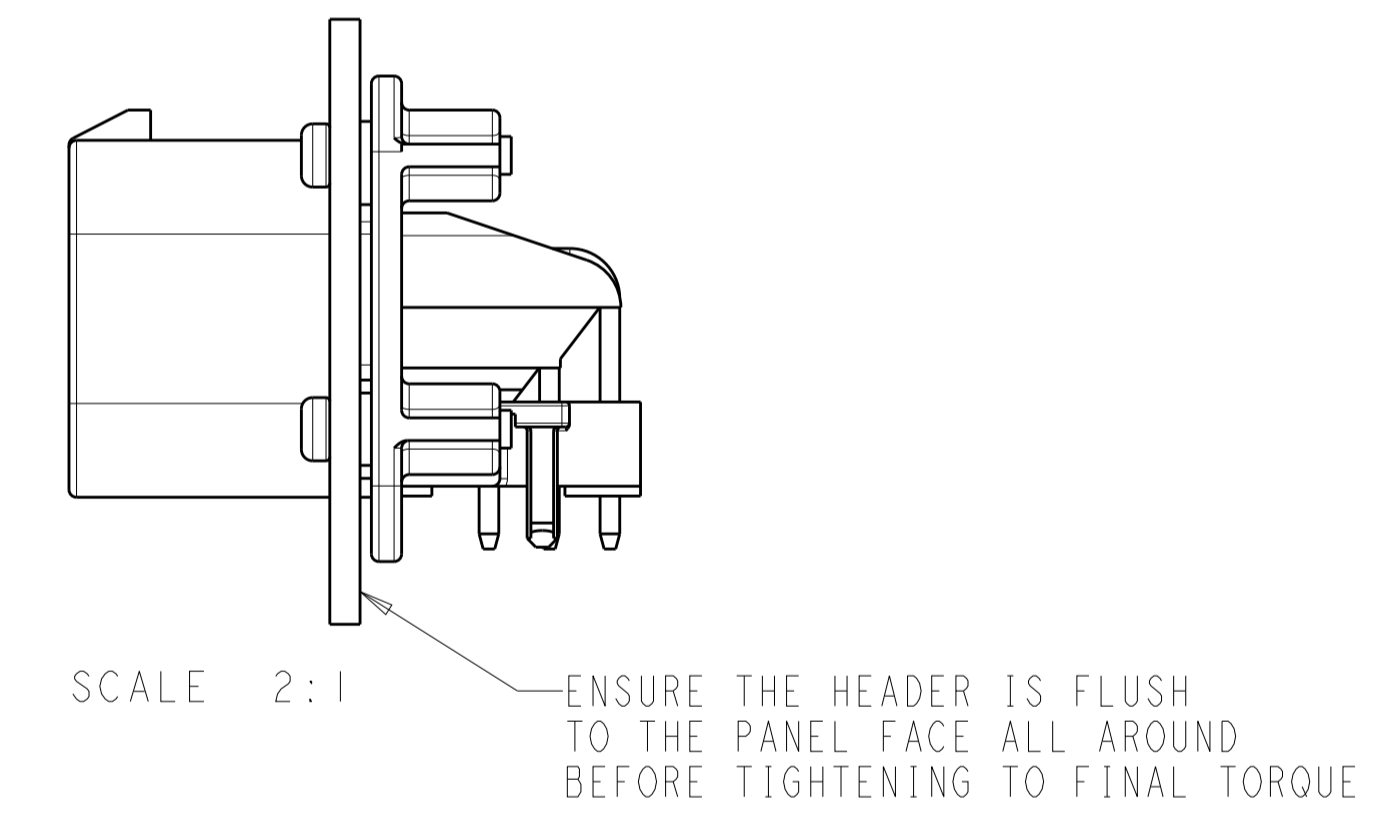
SECTION A-A
OPTIONAL CONSTRUCTION IF PANEL THICKNESS IS GREATER THEN 2.0
SCALE 4:1



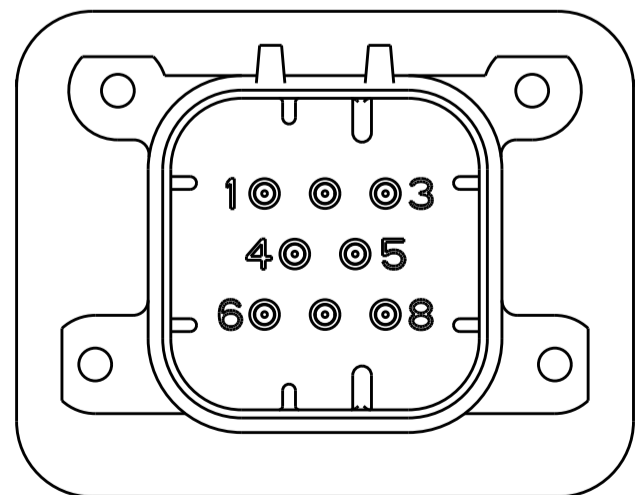
SECTION A-A
OPTIONAL CONSTRUCTION IF PANEL THICKNESS IS GREATER THEN 2.0
SCALE 4:1



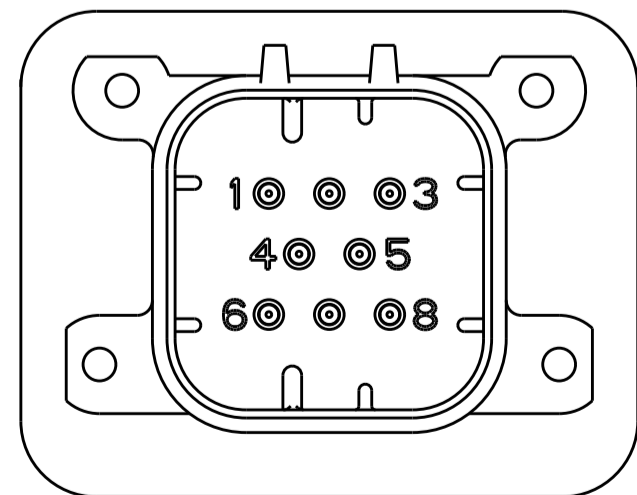
SCALE 2:1



SCALE 2:1



776279-1, 776279-6 & 1-776279-1
KEY LOCATION
SCALE 2:1



776279-2 & 1-776279-2
KEY LOCATION
SCALE 2:1

THIS DRAWING IS A CONTROLLED DOCUMENT.		DWN: J. MARKEY 29FEB08 CHK: J. MARKEY 29FEB08 APVD: J. MARKEY 29FEB08	TE Connectivity
DIMENSIONS: mm 	TOLERANCES UNLESS OTHERWISE SPECIFIED: 0 PLC ± 1 PLC ±0.2 2 PLC ±0.13 3 PLC ± 4 PLC ± ANGLES ±°	NAME: HEADER ASSEMBLY, 8 POSITION, RIGHT ANGLE, AMPSEAL PRODUCT SPEC: 108-1329 APPLICATION SPEC: 114-16016 WEIGHT: - CUSTOMER DRAWING	
MATERIAL: - FINISH: -		SIZE: A100779 CAGE CODE: - DRAWING NO: 776279	RESTRICTED TO: - SCALE: 4:1 SHEET: 3 OF 3 REV: F7

X-ON Electronics

Largest Supplier of Electrical and Electronic Components

Click to view similar products for [Automotive Connectors](#) category:

Click to view products by [TE Connectivity](#) manufacturer:

Other Similar products are found below :

[003-018-000](#) [600858](#) [60403001](#) [60993906-B](#) [60993913-B](#) [629515004020001](#) [M902-2131](#) [M902-2161](#) [M902-2344](#) [72.330.1035.1](#)
[73.353.4028.0](#) [F118010](#) [F119300-B](#) [F132210](#) [F132210-B](#) [F166900](#) [F180100](#) [F258300](#) [F258300-B](#) [F294300-B](#) [F339100](#) [F339700](#) [F358300-](#)
[B](#) [F374110](#) [F407400](#) [F412210](#) [F427600](#) [F444110](#) [F487000](#) [F495100-B](#) [F500900-B](#) [F509500B-B](#) [770444-1](#) [776880-1](#) [827153-1](#) [881735-1](#)
[8N1515-32-24P](#) [9-1326727-8](#) [9-1326729-8](#) [925467-1](#) [925474-1](#) [928905-1](#) [936398-2](#) [964562-1](#) [964562-4](#) [964731-2](#) [965051-1](#) [968782-1](#)
[GT17SA-8DS-HU](#) [GT17VS-10DP-5.2CF](#)