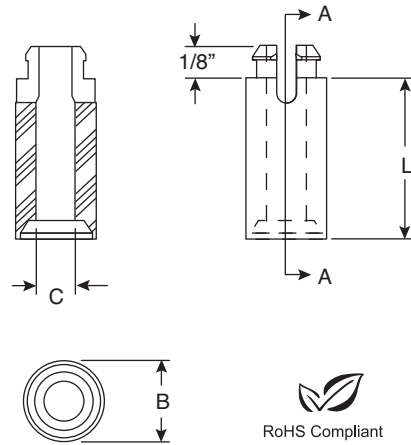




Stackable Snap-In Standoffs

561-ST5012, 561-ST54018, 561-ST54025, 561-ST54031, 561-ST54037, 561-ST54043, 561-ST54050, 561-ST54062, 561-ST56025, 561-ST56031, 561-ST56037, 561-ST56043, 561-ST56050, 561-ST56062, 561-ST56075, 561-ST56087, 561-ST56100, 561-ST58025, 561-ST58031, 561-ST58037, 561-ST58043, 561-ST58050, 561-ST58062, 561-ST58075, 561-ST58087, 561-ST58100

Date Last Revised: 11-04-08



RoHS Compliant

Stackable Snap-In Standoffs are available in #4, #6, and #8 screw sizes from 1/8" long to 1" long. Standoffs are molded on Nylon 6/6 material. Part snaps into board and maintains spacing when screw is removed. Parts are stackable, self-aligning, and self-retaining to provide screw insulation in multi-level applications.

MOUSER STOCK NO.	Description	B	C	L	Mounting Hole	Panel Thickness	Screw Size
561-ST5012	#4 x 1/8" Snap-in Standoff	0.260 (+/- .010)	0.125 (+/- .005)	0.125 (+/- .015)	0.187 (+/- .005)	0.062 (+/- .005)	#4
561-ST54018	#4 x 3/16" Snap-in Standoff	0.260 (+/- .010)	0.125 (+/- .005)	0.188 (+/- .015)	0.187 (+/- .005)	0.062 (+/- .005)	#4
561-ST54025	#4 x 1/4" Snap-in Standoff	0.260 (+/- .010)	0.125 (+/- .005)	0.250 (+/- .015)	0.187 (+/- .005)	0.062 (+/- .005)	#4
561-ST54031	#4 x 5/16" Snap-in Standoff	0.260 (+/- .010)	0.125 (+/- .005)	0.313 (+/- .015)	0.187 (+/- .005)	0.062 (+/- .005)	#4
561-ST54037	#4 x 3/8" Snap-in Standoff	0.260 (+/- .010)	0.125 (+/- .005)	0.375 (+/- .015)	0.187 (+/- .005)	0.062 (+/- .005)	#4
561-ST54043	#4 x 7/16" Snap-in Standoff	0.260 (+/- .010)	0.125 (+/- .005)	0.438 (+/- .015)	0.187 (+/- .005)	0.062 (+/- .005)	#4
561-ST54050	#4 x 1/2" Snap-in Standoff	0.260 (+/- .010)	0.125 (+/- .005)	0.500 (+/- .015)	0.187 (+/- .005)	0.062 (+/- .005)	#4
561-ST54062	#4 x 5/8" Snap-in Standoff	0.260 (+/- .010)	0.125 (+/- .005)	0.625 (+/- .015)	0.234 (+/- .005)	0.062 (+/- .005)	#4
561-ST56025	#6 x 1/4" Snap-in Standoff	0.313 (+/- .015)	0.153 (+/- .005)	0.250 (+/- .015)	0.234 (+/- .005)	0.062 (+/- .005)	#6
561-ST56031	#6 x 5/16" Snap-in Standoff	0.313 (+/- .015)	0.153 (+/- .005)	0.313 (+/- .015)	0.234 (+/- .005)	0.062 (+/- .005)	#6
561-ST56037	#6 x 3/8" Snap-in Standoff	0.313 (+/- .015)	0.153 (+/- .005)	0.375 (+/- .015)	0.234 (+/- .005)	0.062 (+/- .005)	#6
561-ST56043	#6 x 7/16" Snap-in Standoff	0.313 (+/- .015)	0.153 (+/- .005)	0.438 (+/- .015)	0.234 (+/- .005)	0.062 (+/- .005)	#6
561-ST56050	#6 x 1/2" Snap-in Standoff	0.313 (+/- .015)	0.153 (+/- .005)	0.500 (+/- .015)	0.234 (+/- .005)	0.062 (+/- .005)	#6
561-ST56062	#6 x 5/8" Snap-in Standoff	0.313 (+/- .015)	0.153 (+/- .005)	0.625 (+/- .015)	0.234 (+/- .005)	0.062 (+/- .005)	#6
561-ST56075	#6 x 3/4" Snap-in Standoff	0.313 (+/- .015)	0.153 (+/- .005)	0.750 (+/- .015)	0.234 (+/- .005)	0.062 (+/- .005)	#6
561-ST56087	#6 x 7/8" Snap-in Standoff	0.313 (+/- .015)	0.153 (+/- .005)	0.875 (+/- .015)	0.234 (+/- .005)	0.062 (+/- .005)	#6
561-ST56100	#6 x 1" Snap-in Standoff	0.313 (+/- .015)	0.153 (+/- .005)	1.000 (+/- .015)	0.234 (+/- .005)	0.062 (+/- .005)	#6
561-ST58025	#8 x 1/4" Snap-in Standoff	0.313 (+/- .015)	0.169 (+/- .005)	0.250 (+/- .015)	0.234 (+/- .005)	0.062 (+/- .005)	#8
561-ST58031	#8 x 5/16" Snap-in Standoff	0.313 (+/- .015)	0.169 (+/- .005)	0.313 (+/- .015)	0.234 (+/- .005)	0.062 (+/- .005)	#8
561-ST58037	#8 x 3/8" Snap-in Standoff	0.313 (+/- .015)	0.169 (+/- .005)	0.375 (+/- .015)	0.234 (+/- .005)	0.062 (+/- .005)	#8
561-ST58043	#8 x 7/16" Snap-in Standoff	0.313 (+/- .015)	0.169 (+/- .005)	0.438 (+/- .015)	0.234 (+/- .005)	0.062 (+/- .005)	#8
561-ST58050	#8 x 1/2" Snap-in Standoff	0.313 (+/- .015)	0.169 (+/- .005)	0.500 (+/- .015)	0.234 (+/- .005)	0.062 (+/- .005)	#8
561-ST58062	#8 x 5/8" Snap-in Standoff	0.313 (+/- .015)	0.169 (+/- .005)	0.625 (+/- .015)	0.234 (+/- .005)	0.062 (+/- .005)	#8
561-ST58075	#8 x 3/4" Snap-in Standoff	0.313 (+/- .015)	0.169 (+/- .005)	0.750 (+/- .015)	0.234 (+/- .005)	0.062 (+/- .005)	#8
561-ST58087	#8 x 7/8" Snap-in Standoff	0.313 (+/- .015)	0.169 (+/- .005)	0.875 (+/- .015)	0.234 (+/- .005)	0.062 (+/- .005)	#8
561-ST58100	#8 x 1" Snap-in Standoff	0.313 (+/- .015)	0.169 (+/- .005)	1.000 (+/- .015)	0.234 (+/- .005)	0.062 (+/- .005)	#8

Dimensions: (in.)

DESCRIPTION
• Molded in natural nylon 6/6

Available from Mouser Electronics
1-800-346-6873
www.mouser.com

EPD-200763

X-ON Electronics

Authorized Distributor

Click to view similar products for [Standoffs & Spacers](#) category:

[M0712-6-N](#) [FM2145-4007-SS](#) [FM2160-4007-SS](#) [878](#) [1879](#) [SA120x500](#) [STH-19](#) [STR-632](#)
[2149](#) [M2151-4007-B-12](#)