

■ Features :

- Universal AC input / Full range
- Protections: Short circuit / Overload / Over voltage
- Cooling by free air convection
- 100% full load burn-in test
- Fixed switching frequency at 45KHz
- 2 years warranty

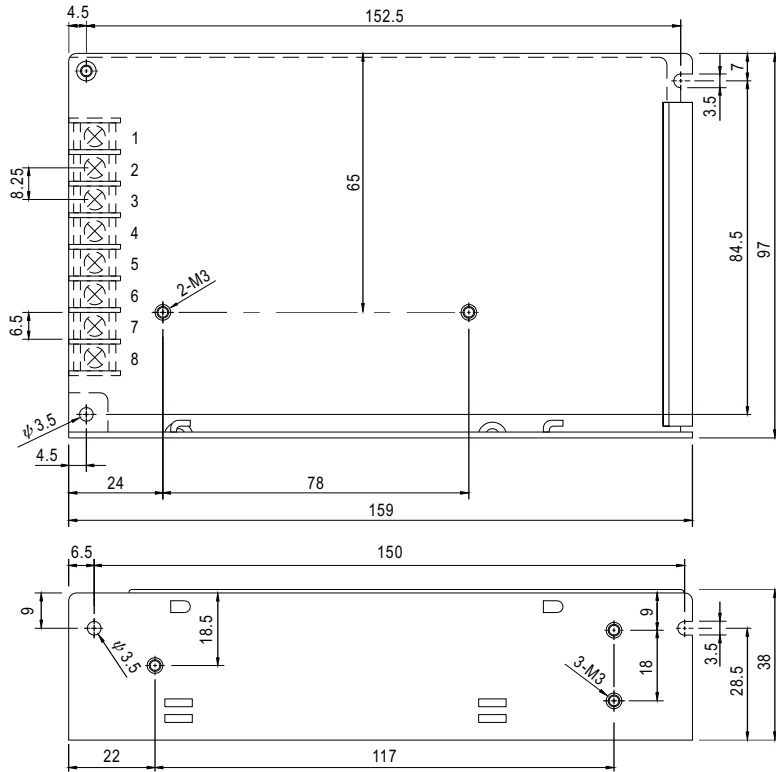


SPECIFICATION

| MODEL                 |  | ADS-5512  |                          | ADS-5524   |          |
|-----------------------|--|---|--------------------------|--|----------|
| OUTPUT                | OUTPUT NUMBER  | CH1   | CH2                      | CH1  | CH2      |
|                       | DC VOLTAGE   | 12V   | 5V                       | 24V  | 5V       |
|                       | RATED CURRENT  | 3A  | 3A                       | 2A   | 2A       |
|                       | CURRENT RANGE  | 0 ~ 4A  | 0 ~ 4A                   | 0 ~ 2.5A   | 0 ~ 4A   |
|                       | RATED POWER  | 51W   |                          | 58W  |          |
|                       | RIPPLE & NOISE (max.) Note.2   | 100mVp-p  |                          | 100mVp-p   | 100mVp-p |
|                       | VOLTAGE ADJ. RANGE   | CH1:10.8 ~ 13.2V  |                          | CH1:21.6 ~ 26.4V   |          |
|                       | VOLTAGE TOLERANCE Note.3   | ±1.0%   |                          | ±3.0%  | ±3.0%    |
|                       | LINE REGULATION  | ±0.5%   |                          | ±1.0%  | ±0.5%    |
|                       | LOAD REGULATION  | ±0.5%   |                          | ±1.0%  | ±0.5%    |
|                       | SETUP, RISE TIME   | 1400ms, 50ms/230VAC   |                          | 3300ms, 50ms/115VAC at full load   |          |
| HOLD UP TIME (Typ.)   | 80ms/230VAC  |   | 16ms/115VAC at full load |  |          |
| INPUT                 | VOLTAGE RANGE  | 88 ~ 264VAC 124 ~ 370VDC  |                          |  |          |
|                       | FREQUENCY RANGE  | 47 ~ 63Hz   |                          |  |          |
|                       | EFFICIENCY (Typ.)  | 76%   |                          | 79%  |          |
|                       | AC CURRENT (Typ.)  | 1.6A/115VAC 1A/230VAC   |                          |  |          |
|                       | INRUSH CURRENT (Typ.)  | COLD START 20A/115VAC 40A/230VAC  |                          |  |          |
| LEAKAGE CURRENT       | <1mA / 240VAC  |   |                          |  |          |
| PROTECTION            | OVERLOAD   | 105 ~ 150% rated output power<br>Protection type : Hiccup mode, recovers automatically after fault condition is removed |                          |  |          |
|                       | OVER VOLTAGE   | CH1:13.8 ~ 16.2V  |                          | CH1:27.6 ~ 32.4V<br>Protection type : Hiccup mode, recovers automatically after fault condition is removed |          |
| ENVIRONMENT           | WORKING TEMP.  | -10 ~ +60°C (Refer to "Derating Curve")   |                          |  |          |
|                       | WORKING HUMIDITY   | 20 ~ 90% RH non-condensing  |                          |  |          |
|                       | STORAGE TEMP., HUMIDITY  | -20 ~ +85°C, 10 ~ 95% RH  |                          |  |          |
|                       | TEMP. COEFFICIENT  | ±0.03%/°C (0~50°C) on CH1 output  |                          |  |          |
| VIBRATION             | 10 ~ 500Hz, 2G 10min./1cycle, 60min. each along X, Y, Z axes   |   |                          |  |          |
| SAFETY & EMC (Note 4) | SAFETY STANDARDS   | UL60950-1, TUV EN60950-1 approved   |                          |  |          |
|                       | WITHSTAND VOLTAGE  | I/P-O/P:3KVAC I/P-FG:2KVAC O/P-FG:0.5KVAC   |                          |  |          |
|                       | ISOLATION RESISTANCE   | I/P-O/P, I/P-FG, O/P-FG:100M Ohms / 500VDC / 25°C/ 70% RH   |                          |  |          |
|                       | EMC EMISSION   | Compliance to EN55022 (CISPR22) Class B, EN61000-3-2,-3   |                          |  |          |
|                       | EMC IMMUNITY   | Compliance to EN61000-4-2,3,4,5,6,8,11, EN55024, light industry level, criteria A                                       |                          |  |          |
| OTHERS                | MTBF   | 276.3K hrs min. MIL-HDBK-217F (25°C)  |                          |  |          |
|                       | DIMENSION  | 159*97*38mm (L*W*H)   |                          |  |          |
|                       | PACKING  | 0.57Kg; 24pcs/13.7Kg/0.75CUFT   |                          |  |          |
| NOTE                  | <p>1. All parameters NOT specially mentioned are measured at 230VAC input, rated load and 25°C of ambient temperature.</p> <p>2. Ripple &amp; noise are measured at 20MHz of bandwidth by using a 12" twisted pair-wire terminated with a 0.1uF &amp; 47uF parallel capacitor.</p> <p>3. Tolerance : includes set up tolerance, line regulation and load regulation.</p> <p>4. The power supply is considered a component which will be installed into a final equipment. All the EMC tests are been executed by mounting the unit on a 360mm*360mm metal plate with 1mm of thickness. The final equipment must be re-confirmed that it still meets EMC directives. For guidance on how to perform these EMC tests, please refer to "EMI testing of component power supplies." (as available on <a href="http://www.meanwell.com">http://www.meanwell.com</a>)</p> |   |                          |  |          |

### Mechanical Specification

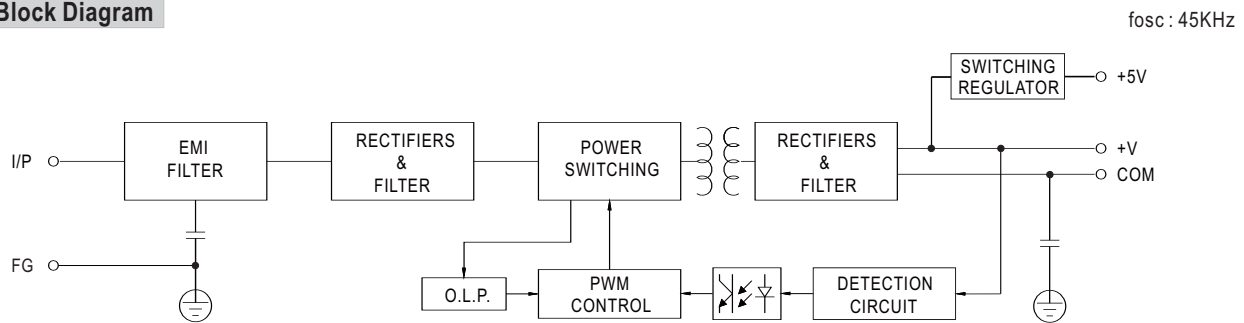
Case No. 901 Unit:mm



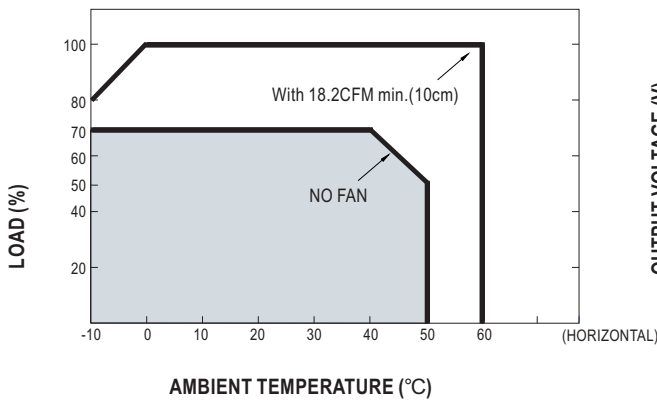
Terminal Pin No. Assignment :

| Pin No. | Assignment    | Pin No. | Assignment       |
|---------|---------------|---------|------------------|
| 1       | AC/L          | 5       | DC OUTPUT +V     |
| 2       | AC/N          | 6       | NC               |
| 3       | FG            | 8       | DC/DC OUTPUT +5V |
| 4,7     | DC OUTPUT COM |         |                  |

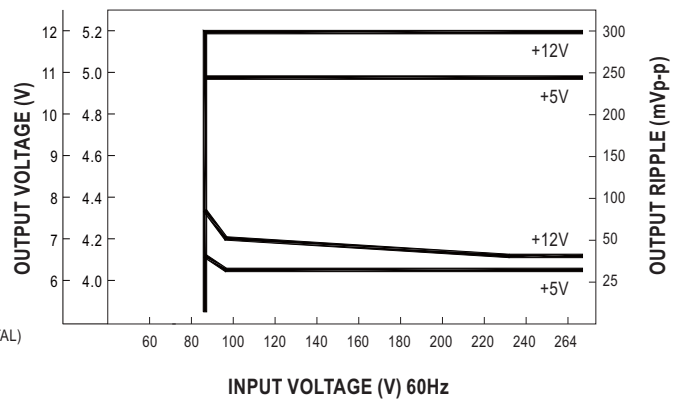
### Block Diagram



### Derating Curve



### Static Characteristics (5512)



## X-ON Electronics

Largest Supplier of Electrical and Electronic Components

*Click to view similar products for [Switching Power Supplies](#) category:*

*Click to view products by [Mean Well](#) manufacturer:*

Other Similar products are found below :

[70841011](#) [73-551-0005](#) [AAD600S-4-OP](#) [R22095](#) [KD0204](#) [9021](#) [S-15F-12](#) [LDIN100150](#) [LPM000-BBAR-01](#) [LPX17S-C](#) [EVS57-10R6/R](#)  
[FDC40-24S12](#) [FP80](#) [FRV7000G](#) [22929](#) [CQM1IA121](#) [40370121900](#) [VI-PU22-EXX](#) [40370121910](#) [LDIN5075](#) [432703037161](#) [WRB01X-U](#)  
[LPX140-C](#) [08-30466-1040G](#) [09-160CFG](#) [70841004](#) [70841025](#) [VPX3000-CBL-DC](#) [VI-LUL-IU](#) [LPM000-BBAR-05](#) [LPM000-BBAR-08](#)  
[LPM124-OUTA1-48](#) [LPM000-BBAR-07](#) [LPM109-OUTA1-10](#) [LPM616-CHAS](#) [08-30466-1055G](#) [08-30466-2175G](#) [DMB-EWG](#) [TVQF-](#)  
[1219-18S](#) [6504-226-2101](#) [CQM1IPS01](#) [XPFM201A+](#) [MAP80-4000G](#) [LFP300F-24-TY](#) [SMP21-L20-DC24V-5A](#) [VI-MUL-ES](#) [08-30466-](#)  
[0065G](#) [CME240P-24](#) [VI-RU031-EWWX](#) [08-30466-0028G](#)