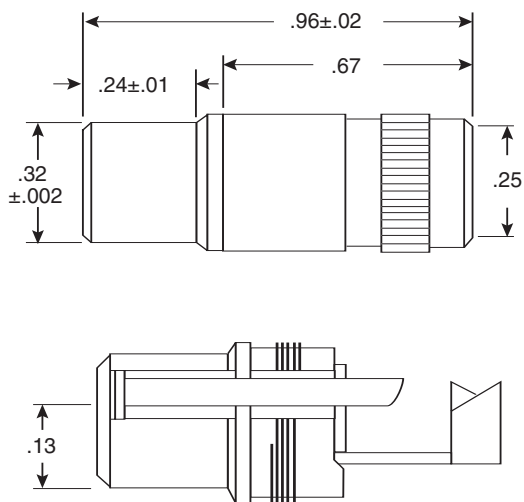
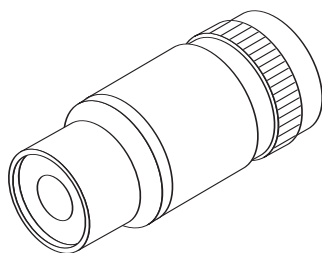


In-Line Phono Jack

16PJ150



In-Line Phono Jack



Dimensions: In.

SPECIFICATIONS

Type:	In-Line, Shielded Phono
Insulation Resistance:	100M Ω min. @ 500VDC
Contact Resistance:	10m Ω max.
Withstand Voltage:	500VAC for 1 Minute
Body:	Nickel Plated Brass
Jack Insulator:	Duracon
Terminal Insulator:	ABS
Terminals, Cap:	Nickel Plated Brass

Date Last Revised: 4-19-05

Available from Mouser Electronics
1-800-346-6873
www.mouser.com

KC-300570

16PJ150

X-ON Electronics

Authorized Distributor

Click to view similar products for [RCA Phono Connectors](#) category:

[124054X](#) [3502RABAU](#) [CMFSRAWY](#) [CMFSRIGY](#) [321-0500](#) [ACJB-BLU](#) [ACJB-YEL](#)
[EHRCABNCXPKG](#) [PJLAN2X1U02](#) [PJRAS2X2S01AUX](#)