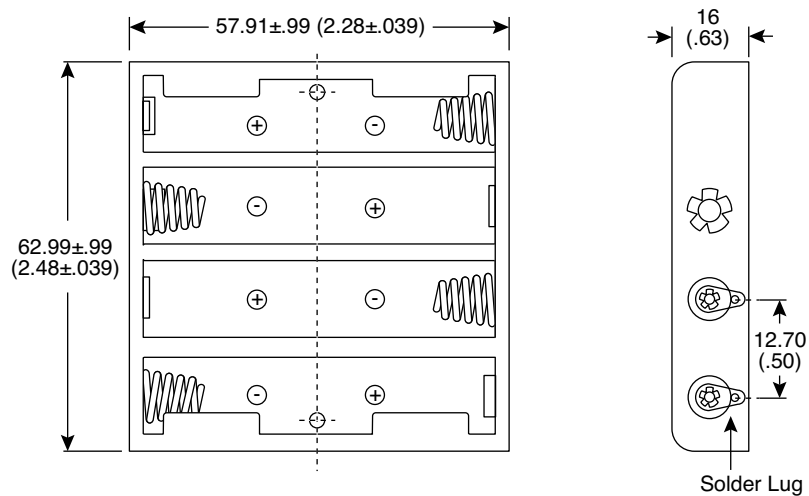
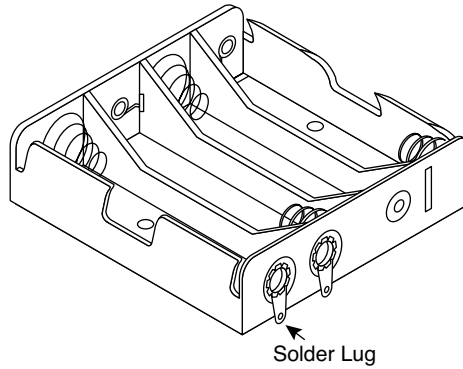


4 "AA" Battery Holder with Solder Lugs

12BH351-GR

Date Last Revised: 06-13-07



Dimensions: mm (in.)

SPECIFICATIONS

Type:	4 "AA" Cells with Solder Lugs
Spring:	.028, 65C Spring Wire
Body:	PP Resin
Color:	Black
RoHS Compliant	

Available from Mouser Electronics
1-800-346-6873 / www.mouser.com

EPD-200625

X-ON Electronics

Authorized Distributor

Click to view similar products for Cylindrical Battery Contacts, Clips, Holders & Springs category:

[1185](#) [1076](#) [1129](#) [FLUKE 707](#) [1101](#) [5230](#) [1198](#) [1014](#) [163-165](#) [MM2030](#)