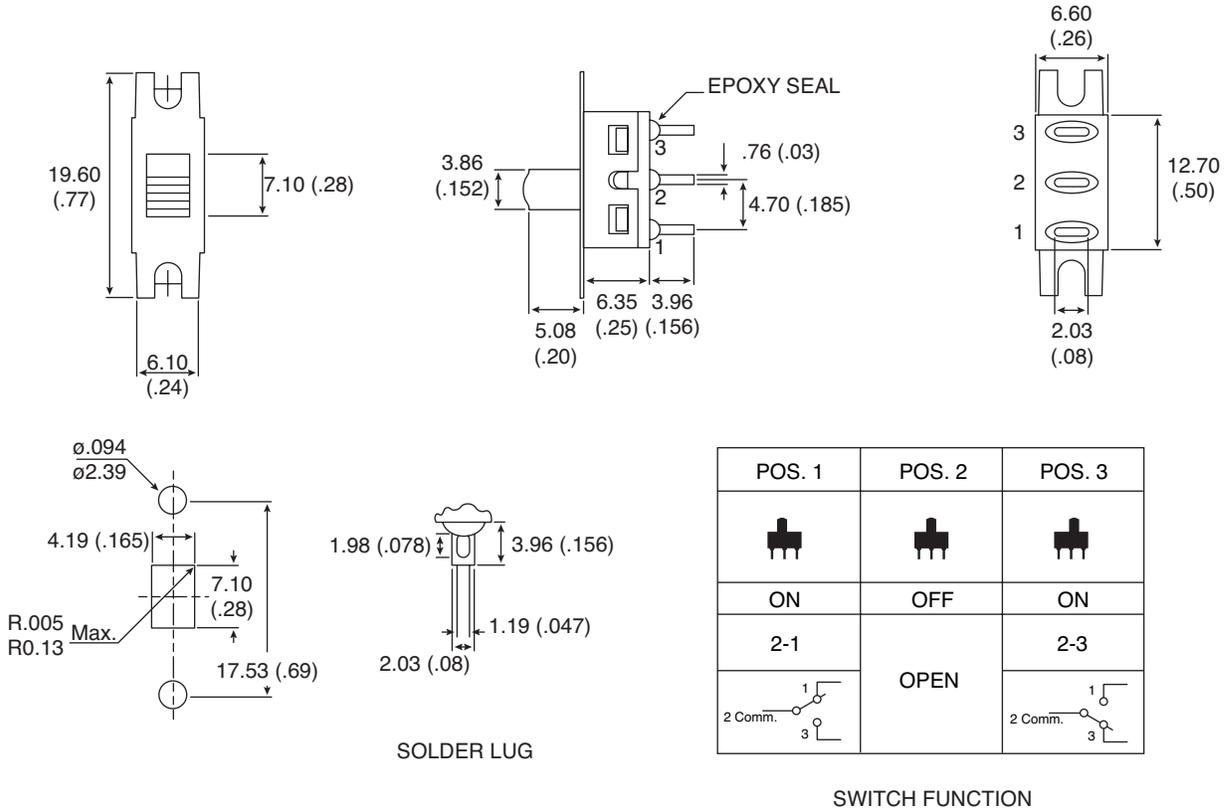


Dimensions: mm (In.)



Electrical Specifications:

- Rating: 2A/250VAC; 5A/120VAC or 28VDC
- Contact Resistance: 10mΩ Max. initial @2-4VDC 100mA
- Insulation Resistance: 1,000MΩ Min.
- Dielectric Strength: 1,000 V RMS@ sea level

Materials:

- Case: Dially Phthalate (DAP)
- Actuator: Nylon, Black std.
- Housing: Stainless Steel
- Contact: Silver or Gold Plated
- Terminal Seal: Epoxy

Mechanical Specifications:

- Mechanical Life: 30,000 make-and-break cycles
- Operating Temperature: -30°C to 85°C

Note:

- RoHS compliant

Slide Switch
103-5010-EV



X-ON Electronics

Authorized Distributor

Click to view similar products for [Slide Switches](#) category:

[MHS22304](#) [46203MR](#) [49331L](#) [500RSP1S1M6RE](#) [TSPD11CGWW004](#) [16742-1](#) [AS23AB](#)
[500SSP1S1M7QEB](#) [1201M2S3AV2BE2](#) [SL-2211M1B2](#)