

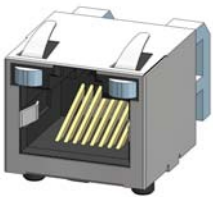
*Now you're connected!*

### About Amphenol Commercial Products

Amphenol's commercial connector products are used in a variety of end user applications including networking, telecom, server & computer, storage & HDD, consumer electronics and entertainment, professional audio & Industrial & Military/Aerospace.

### Related Products

#### RJSSE

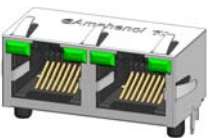


P/N RJSSE-5381 SHOWN  
SINGLE PORT, 8 POSITION,  
WITH SHIELD AND LIGHT PIPE

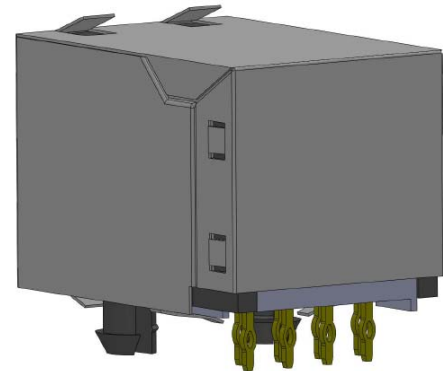
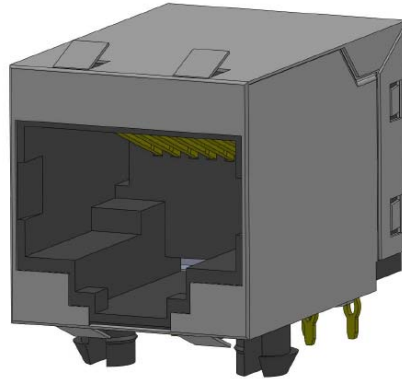
#### RJHSE



P/N RJHSE-3081 SHOWN  
SINGLE PORT VERTICAL MOUNT,  
NO SHIELD, WITH LEDs



P/N RJHSE-5385-02 SHOWN  
TWO PORT REGULAR MOUNT,  
WITH SHIELD AND LEDs



P/N RJE56-188-1X10 SHOWN  
Single Port, with shield  
8 Position, 8 Press Fit Contacts

The RJE56 series of modular jack supports Ethernet Protocols.

### Applications

Intended for use in applications such as:

#### Networking & Telecom

- Wireless (WiMAX)
- Network servers
- Hubs, routers, switches

#### Office & Home Equipment

- PC's, Laptops, Copiers/Printers
- Telephones, modems
- Surge Protectors
- ATMs, Vending Machines

#### Consumer Goods

- Security Systems
- Set Top Boxes
- Video Game Systems

#### Miscellaneous

- Multi-Media Equipment
- Industrial Equipment
- POS Terminals

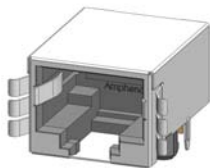
# Now you're connected!

## About Amphenol Commercial Products

Amphenol's commercial connector products are used in a variety of end user applications including networking, telecom, server & computer, storage & HDD, consumer electronics and entertainment, professional audio & Industrial & Military/Aerospace.

## Related Products

### RJULE



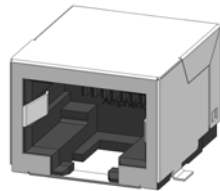
P/N FJULE-4X182-01 SHOWN  
SINGLE PORT REGULAR MOUNT,  
STANDARD SHIELD WITH SMT

### FRJAE



P/N FRJAE-418 SHOWN  
SINGLE PORT, 8 POSITION,  
WITH FERRITE FILTER AND  
SHIELD (FRONT TABS)

### RJLSE



P/N RJLSE-41181-01 SHOWN  
SINGLE PORT REGULAR MOUNT,  
STANDARD SHIELD WITH SMT

## Electrical Characteristics

Contact resistance:	20 mΩ max.
Insulation resistance:	500 MΩ minimum at 500V DC for 2 minutes max.
Current rating:	1.5 Amps
Voltage rating:	125 Volts AC
DWV	1000 VAC, 60 Hz. 1 min.

## Mechanical Characteristics

Mating connector insertion force: 5.0 lbs. Maximum.  
Mating connector pull retention force: 20 lbs Minimum.  
Durability: 750 mating & unmating cycles

Recommended soldering temperature:  
Wave soldering peaked at 260° C for 5 to 8 seconds

Operating temperature: -55° C to +85° C

## Material Requirements

RJE56 connectors are RoHS compliant.  
Unless otherwise specified, the materials for each component shall be:

Insulator:

- PBT material - Complies with UL 94V-0, Black color

Contacts:

- Phosphor Bronze hard temper with gold thickness options (6μ", 15μ", 30μ", 50μ") over 50μ" minimum Nickel on contact mating area.
- 100μ" minimum tin lead plating on press fit tail

Shield:

- Stainless Steel

## Available Documents

### Drawing Numbers:

P-RJE56-188-1X10

RJE56 SERIES,8 POSITION,8 CONTACTS,WITH SHIELD-RoHS COMPLIANT

Contact factory or Authorized Amphenol representative for additional configurations.

## X-ON Electronics

Largest Supplier of Electrical and Electronic Components

*Click to view similar products for [Modular Connectors](#) / [Ethernet Connectors](#) category:*

*Click to view products by [Amphenol](#) manufacturer:*

Other Similar products are found below :

[RJE231881317T](#) [MP1010RX-1000](#) [MP44RX-1000](#) [GAX-3-66](#) [GAX-8-62](#) [93606-0253](#) [GD-A-44](#) [GDCX-PA-66-50](#) [GDCX-PN-64](#) [GDCX-PN-66](#) [GDCX-PN-66-50](#) [GDLX-A-66](#) [GDLX-A-88](#) [GDLX-N-66](#) [GDLX-S-88K](#) [GDTX-S-88-50](#) [GDX-PA-1010](#) [GLX-N-1010M-BLK](#) [GLX-N-44M](#) [GLX-S-88M-BLK](#) [GMX-N-1010](#) [GMX-S-1010](#) [GMX-S-66](#) [GMX-SMT2-N-1010](#) [GMX-SMT2-N-64-50](#) [GMX-SMT2-S6-88](#) [GMX-SMT4-N-88](#) [GPX-2-64](#) [GRT1-BT1-5](#) [GSGX-N-2-88](#) [GSX-NS2-88-3.05](#) [GSX-NS2-88-3.05-50](#) [GSX-NS-88-3.05-30](#) [GSX-NS-88-3.05-50](#) [GSX-NS-88-3.68](#) [1-1775629-2](#) [GWLX-S-88-GR](#) [GWLX-S9-88-YG](#) [1300500326](#) [1300500227](#) [1300530003](#) [1300570002](#) [1324640-4](#) [RJ11FTVC2G](#) [RJ11FTVC2N](#) [RJFTVX2SA1G](#) [132764-001](#) [1400000](#) [1413235](#) [MP88X-1000](#)