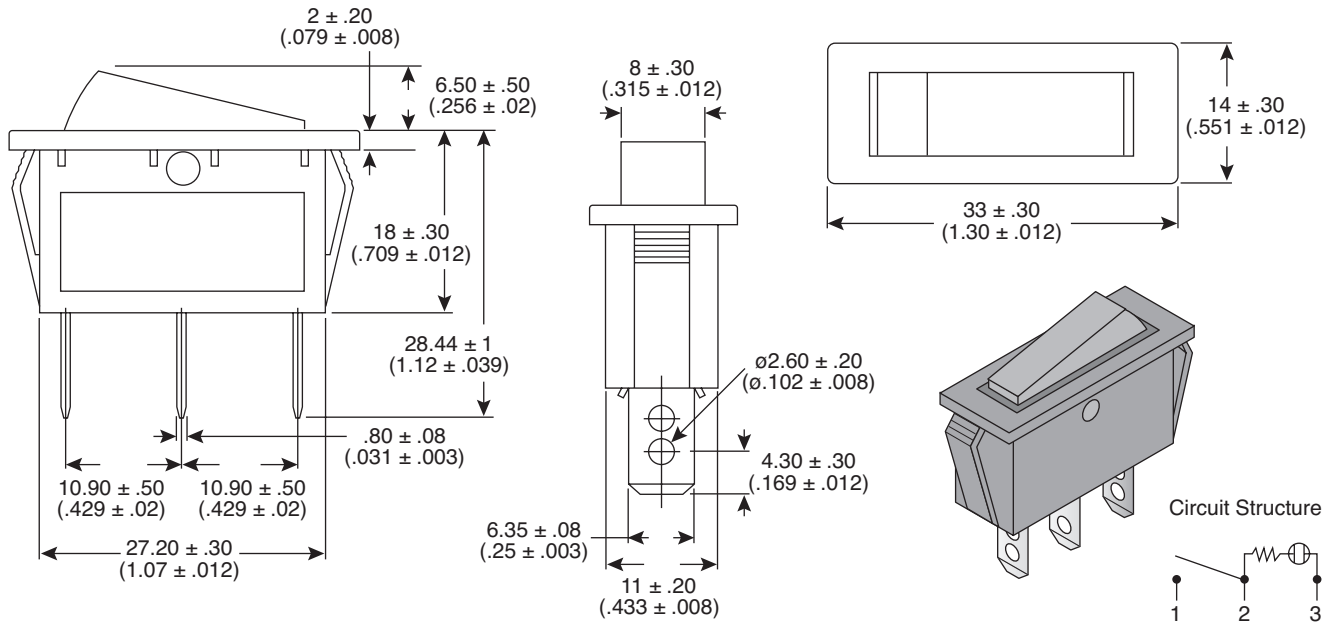


Dimensions: mm (In.)



Mouser Stock No.	Button Color
103-7046-EV	Green
103-7047-EV	Red

Electrical Specifications:

- Rating: 16A / 125VAC 1 / 8HP
10A / 250VAC 1 / 3HP
- Contact Resistance: 50m Ω max.
- Insulation Resistance: 500 VDC 100M Ω min.
- Dielectric Strength: 1500 VAC 1 minute

Mechanical Specifications:

- Operating temperature: -25° ~ 85°
- Circuit: 3P SPST On-Off
- Neon Lamps: 110VAC

Note:

- RoHS Compliant

Illuminated Rocker Switches
103-7046-EV, 103-7047-EV



X-ON Electronics

Authorized Distributor

Click to view similar products for [Rocker Switches](#) category:

[M2032TXW30-DA](#) [7101J1V4BE2](#) [7108J2ZQE1](#) [7215J1AV2BE2](#) [7401J3ZQE3](#) [MLW3020-00-RA-1A](#) [MLW3022-00-RA-1A](#) [A226L11YZQ](#) [R1973BBLKRILEF4](#) [AML24GBA2BA05](#)