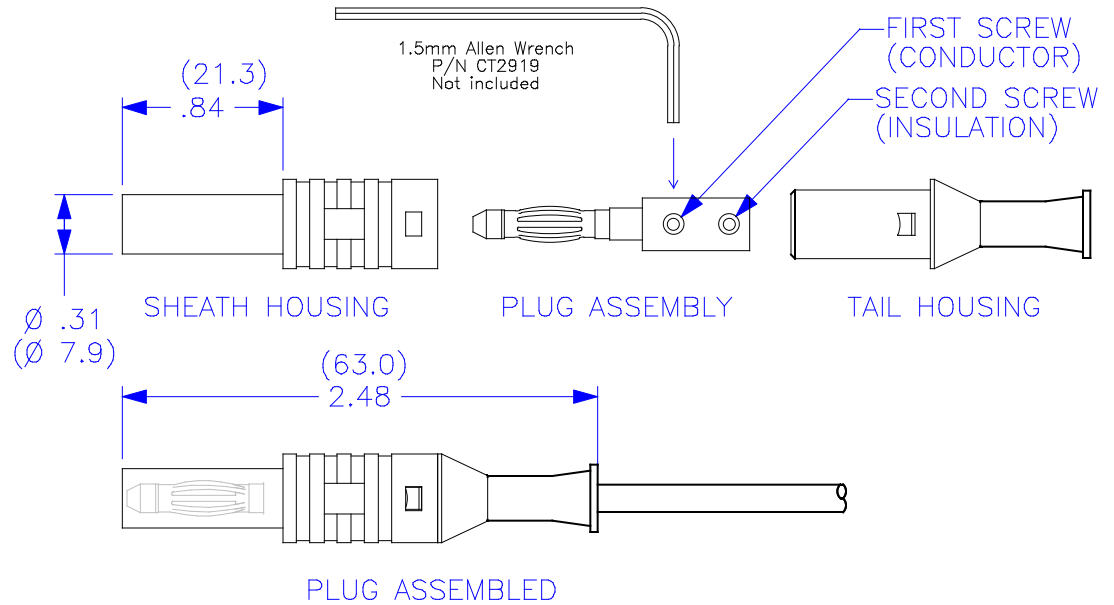


THIS IS ISSUED IN STRICT CONFIDENCE THAT IT IS NOT USED AS A BASIS FOR MANUFACTURE OR SALE AND THAT IT IS NOT COPIED, REPRINTED OR DISCLOSED TO A THIRD PARTY EITHER WHOLLY OR IN PART WITHOUT THE PRIOR WRITTEN CONSENT OF CAL TEST ELECTRONICS, INC.

REVISIONS			
REV.	DESCRIPTIONS	DATE	APPROVED
-	CLASS A RELEASED	2/11/00	
A	CONFIGURATION CHANGE; ADDRESS	7/9/03	

- DO-IT-YOURSELF (DIY) Ø4mm SHEATH BANANA PLUG, SCREW ATTACHMENT
- SPECIFICATIONS:
 INSULATOR BODY: POLYPROPYLENE
 PLUG BODY: BRASS, NICKEL PLATED
 CONTACT SPRING: BECU, NICKEL PLATED
- RATING:
 VOLTAGE: 1000V CATIII P2 (per INSTRUCTIONS)
 REINFORCED INSULATION, CE MARK
 CURRENT: 36A MAX.
 INTERNAL RESISTANCE: <10mΩ
 TEMPERATURE: -20° TO +80° C.
- MAXIMUM WIRE SIZES:
 CONDUCTOR: Ø.090 (12AWG)
 INSULATION: Ø.16 (Ø4.0)
 STRIP LENGTH: .25 (6.4)



PART NUMBER

CT2989-#

- COLOR:
- 0 - BLACK
 - 2 - RED
 - 4 - YELLOW
 - 5 - GREEN
 - 6 - BLUE
 - 9 - WHITE

Assembly Instructions:

- Slide wire through Tail Housing.
- Strip wire .25" (6.4mm).
- Insert stripped wire into Plug Assembly and tighten First Set-Screw (conductor). Set-Screws use 1.5mm Allen Wrench (Cal Test P/N CT2919).
- Snug Second Set-Screw on wire insulation.
- Push Plug Assembly into Tail Housing.
- Snap Tail Housing assembly into Sheath Housing.

THIRD ANGLE PROJECTION		UNLESS OTHERWISE SPECIFIED DIMENSIONS ARE IN INCHES TOLERANCES ARE: FRACTIONS DECIMALS ± 1/32 .XX ± .02 .XXX ± .005 DO NOT SCALE DRAWING	CONTRACT NO.		Cal Test Electronics		22820 Savi Ranch Parkway Yorba Linda, CA 92887-4610				
			APPROVALS	DATE	TITLE						
		MATERIAL	DRAWN	WDH	2/10/00	DIY SHEATH PLUG, SCREW ATTACHMENT					
		FINISH	CHECKED			SIZE	CAGE CODE	DWG. NO.	P298900	REV.	A
NEXT ASSY	USED ON		ENGR.			A					
APPLICATION			DESIGN ACTIVITY			SCALE	1:1		SHEET 1 OF 1		

X-ON Electronics

Largest Supplier of Electrical and Electronic Components

Click to view similar products for [Test Plugs & Test Jacks](#) category:

Click to view products by [Cal Test](#) manufacturer:

Other Similar products are found below :

[579-0400](#) [66000-7](#) [R644543000](#) [R921923000](#) [R921930000](#) [R941344000](#) [R948161000](#) [R999351000](#) [1408-4](#) [1533-1](#) [174-R825B-EX](#)
[NYS508-BU](#) [1680](#) [174-R819B-EX](#) [R644543003](#) [R644543004](#) [R644543020](#) [R644543021](#) [R921926000](#) [R921931000](#) [R921932000](#)
[R921934000](#) [R929991000](#) [R941460000](#) [R941461000](#) [R941463600](#) [R941920600](#) [R948160000](#) [31B-2-RED](#) [032-0016-023](#) [105-1106-001](#)
[108-1000-106](#) [108-2301-621](#) [66001-9](#) [7013](#) [1395080-1](#) [930166100](#) [NYS508-W](#) [NYS508-Y](#) [NYS511-R](#) [BP30-2BR10-B PKG](#) [BP30-10-WT](#)
[BP30-2BR-B PKG](#) [BP30Y-1 PKG](#) [R941049000](#) [R941340000](#) [R948141029](#) [R921922000](#) [R644543022](#) [R948142000](#)