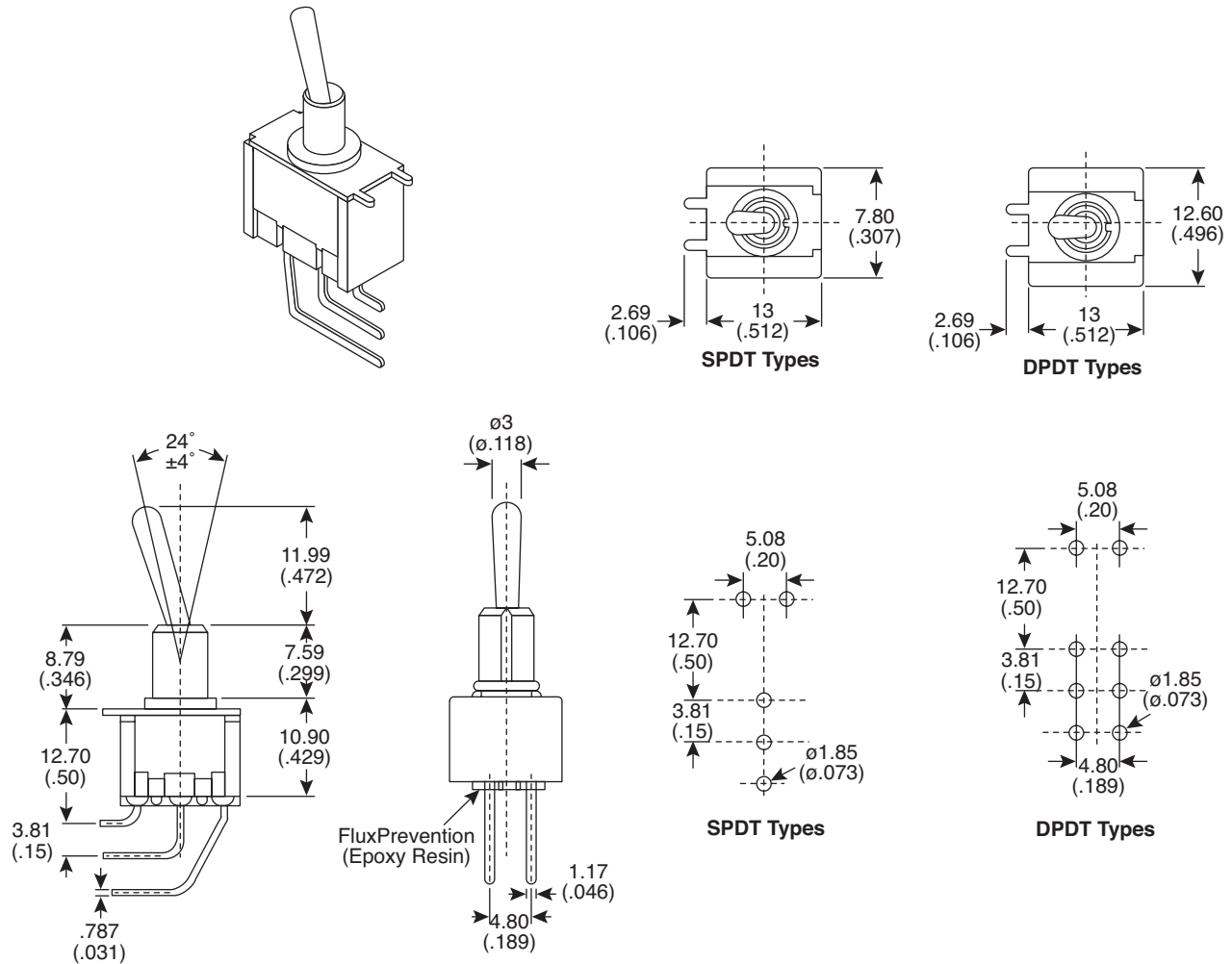


Dimensions: mm (In.)



() = Momentary Contact

Mouser Stock No.	Type	Circuit
10TF130	SPDT	On-On
10TF132	SPDT	On-(On)
10TF135	SPDT	On-Off-On
10TF140	SPDT	On-Off-(On)
10TF145	SPDT	(On)-Off-(On)
10TF160	DPDT	On-On
10TF162	DPDT	On-(On)
10TF165	DPDT	On-Off-On
10TF170	DPDT	On-Off-(On)
10TF175	DPDT	(On)-Off-(On)

**Electrical Specifications:**

- Rating: 6A/125VAC, 3A/250VAC
- Dielectric Strength: 1000VAC for 1 minute
- Insulation resistance: 100M $\Omega$  min.
- Contact resistance: 20m $\Omega$  max.
- Electrical life: 10,000 cycles min.

**Mechanical Specifications:**

- Mechanical life: 30,000 cycles min.

**Materials:**

- Terminals: gold plated

**Miniature Toggle Switches**

10TF130, 10TF132, 10TF135, 10TF140, 10TF145,  
10TF160, 10TF162, 10TF165, 10TF170, 10TF175



# X-ON Electronics

Authorized Distributor

*Click to view similar products for [Toggle Switches](#) category:*

[M2024S3A1W06](#) [6GO57-A3-TABSXME3](#) [7405SYCQE](#) [DD1-B0-34-615-1G2-C](#)

[MTB206N04](#) [1TL1-1N](#) [1TL1-21F](#) [26ET26-S](#) [26ET25-2-G](#) [26ET41-T](#)