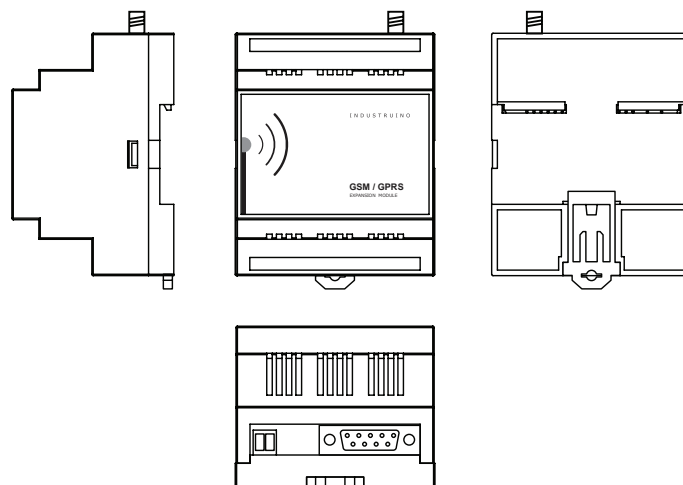
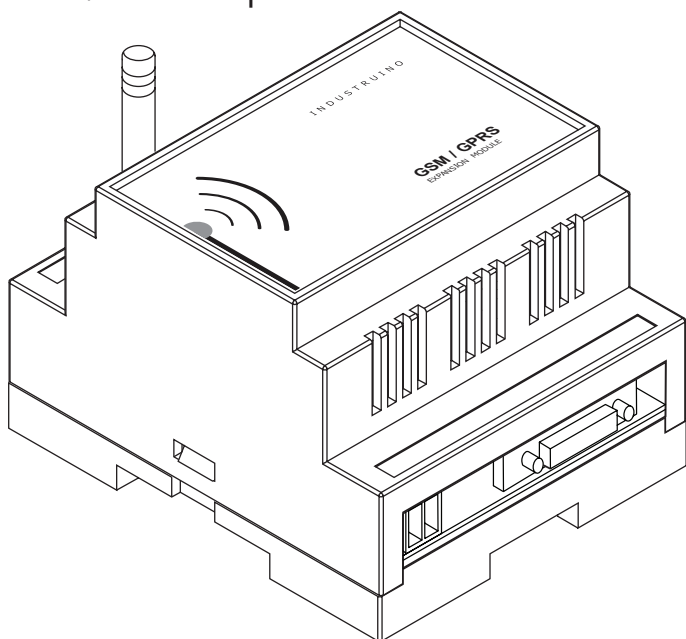
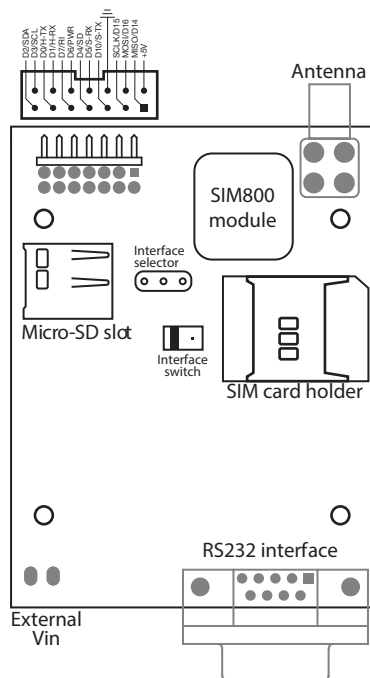




GSM/GPRS Expansion Module Datasheet



Block Diagram



Notes

The Industruino GSM/GPRS Expansion Module connects to Industruino PROTO or Industruino IND.I/O to add wireless internet connectivity, SMS control and added memory flexibility to your installation.

CAUTION:

*Always power down the Industruino controller before connecting or disconnecting the GSM/GPRS Expansion Module via the 14 pin IDC connector.

*Always power down the Industruino controller before inserting or removing a MicroSD card.

*Open the top enclosure cover in order to access the MicroSD card slot.

*When accessing the MicroSD card slot, avoid touching nearby components to avoid ESD damage.

<https://industruino.com/support>

Document revision: Rev1.0. Specifications subject to change without notice.
 Date: 03.06.2017

Installation	
Mounting type	35 mm DIN rail mountable
Mounting width	4 spacing units wide
Supply voltage	
Standard input voltage	5/12/24 VDC
Permissible range, lower limit (DC)	3.3 VDC
Permissible range, upper limit (DC)	32 VDC
Supply current	1A
Protection of supply	transient protected and filtered
Interface port	
Compatibility	links with Industruino PROTO, IND.I/O
Physical connector	14pin male IDC
Supply level	5V
Signal type	TTL
Signal lines	SPI, i2c, UART, 5 GPIO's
Interface port protection	ESD, transients
GSM modem	
Antenna connector	SMA
GPRS speed	85.6 kbps
Protocols supported	TCP, UDP, IPv4
Interface type	UART
Comms speed	9600-115200 Baud
Control signals	UART, PWR, RI
Control protocol	AT commands
External buttons	PWR, RST
Flash card memory	
Slot type	micro SD
Supported types	microSD, microSDHC
Supported capacity	32GB Max
Supported formatting	FAT16, FAT32
Interface type	SPI
Control signals	SPI, CS
Comms frequency	4 MHz
RS-232 interface	
Physical connector	DB-9, female
Signal level	-15/+15V
Comms speed	9600-115200 Baud
Function	MCU UART or Modem control
Control signals	RX, TX, RTS, RI
Environmental	
Protection class	IP20
Ambient operating temperature	0 - 55 °C
Dimensions	
Width	71.5 mm
Height	87 mm
Depth	58 mm
Weight	160 g

X-ON Electronics

Largest Supplier of Electrical and Electronic Components

Click to view similar products for [RF Modules](#) category:

Click to view products by [Industruino](#) manufacturer:

Other Similar products are found below :

[HMC-C009](#) [HMC-C011](#) [nRF24L01P-MODULE-PCB](#) [HMC-C021](#) [HMC-C024](#) [XB9XT-DPRS-721](#) [XBP9B-DMUTB022](#) [nRF24L01P-MODULE-SMA](#) [CMD-KEY2-418-CRE](#) [XM-C92-2P-UA](#) [XB9XT-DPUS-721](#) [V640-A90](#) [HMC-C583](#) [MAAM-008818-TR3000](#) [MTSMC-H5-U](#) [SIMSA868-PRO](#) [SIMSA915C-PRO](#) [SIMSA868C-PRO](#) [SIMSA433C-PRO](#) [SIMSA915-PRO](#) [XBP9B-DMUT-042](#) [HMC-C582](#) [HMC-C022](#) [XBP9B-DPST-041](#) [XBP9B-DMWT-042](#) [SM-MN-00-HF-RC](#) [HMC-C031](#) [MT-02](#) [M1002GB](#) [702-W](#) [SIMSA868C-N-PRO](#) [SIMSA433C-N-PRO](#) [SIMSA915C-N-PRO](#) [ADP-R202-00B](#) [PEPPER WIRELESS C1 USB](#) [S2-1050J-Z0K4J](#) [S2-10732-Z1T61](#) [S2-107XB-Z2356-Z2352](#) [S2-10672-Z1L85](#) [S2-10686-Z1L1D](#) [S2-10688-Z1L1T](#) [S2-106BA-Z1P20](#) [S2-1060C-Z1F0A](#) [S2-106R4-Z1Q6F-Z1Q6Q](#) [S2-106R4-Z1Q6J-Z1Q6Q](#) [S2-106R4-Z1Q67-Z1Q6Q](#) [S2-106RB-Z1Q6V-Z1Q6Q](#) [S2-107DR-Z1Y5B](#) [SU60-2230C-PU](#) [RC-TFSK3-868](#)