

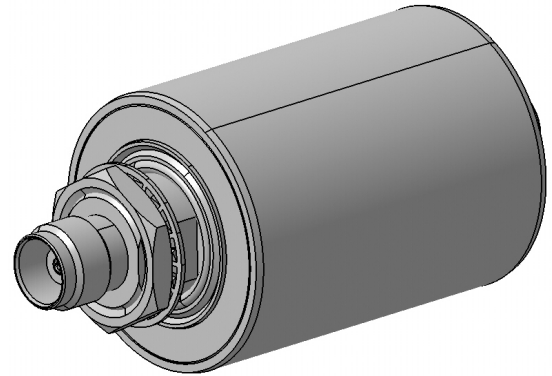
EMP Protector 3403.26.0002

Description

Fine protector hybrid technology

Benefits

- Broad-band design
- DC continuity for remote powering
- Fix installed GDT, static sparkover-voltage nom. 200 V
- Compliant to IEC 61643-21



Product Configuration

Main path connectors	Port 1: <u>unprotected</u> , TNC jack (female) - Port 2: <u>protected</u> , TNC jack (female)
Mounting and grounding	MH119 (bulkhead mounting), brk (bracket)
Side of bulkhead	protected side

Technical Data

Electrical Data

Impedance	50 Ω	
Frequency range	800 - 2500 MHz	1500 - 1700 MHz
Return loss	≥ 23 dB	≥ 26.44 dB
Insertion loss	≤ 0.3 dB	≤ 0.3 dB
RF CW power	≤ 50 W	
PIM 3rd order	not specified	
DC supply voltage	≤ 6 V	
DC current	≤ 3 A	
Surge current handling capability	20 single kA (test pulse 8/20 μs)	
Residual pulse energy	6 μJ typically (test pulse 4 kV 1.2/50 μs / 2 kA 8/20 μs) main path - protected side	

Mechanical Data

Number of matings	100
Weight	90 g

Environmental Data

Operating temperature	-40 °C to +85 °C
Waterproof degree	IP67 (according to IEC 60529, data refer to the coupled state)
2011/65/EU (RoHS)	compliant acc. Annex III

Material Data

Piece Parts	Material	Surface Plating
Housing	Aluminium	Chromatized
Port 1 center contact	Copper Beryllium Alloy	Gold Plating (without Nickel underplating)
Port 2 center contact	Copper Beryllium Alloy	Gold Plating (without Nickel underplating)

Related Documents

Outline drawing	DOU-00097698.1
Mounting instruction	DOC-0000176104

Remarks

Recommendation: if this protector is mated with connectors made of copper-alloy base material and trimetal or nickel plating the connector area must be taped to improve long-term durability.

EMP Protector 3403.26.0002

X-ON Electronics

Largest Supplier of Electrical and Electronic Components

Click to view similar products for [RF Adapters - Between Series](#) *category:*

Click to view products by [Huber & Suhner](#) *manufacturer:*

Other Similar products are found below :

[R191203007](#) [R191209000](#) [R191212000](#) [R191215000](#) [R191301000](#) [R191325000](#) [R191389200](#) [R191403000](#) [R191405000](#) [R191416000](#)
[R191419000](#) [R191421000](#) [R191424000](#) [R191445000](#) [R191511000](#) [R191552000](#) [R191720000](#) [R191722000](#) [R191733000](#) [R191759000](#)
[R191841001W](#) [R191911000](#) [R191912000](#) [R192417010](#) [R921390000](#) [ADBJ20-E1-BJ379](#) [ADM2](#) [ADPL75-A1-PL75](#) [ADPL75-E1-UBJ20](#)
[9317505](#) [931RPBUFLP](#) [AD130](#) [ADBJ20-E1-PL74](#) [ADBJ20-E2-BJ79](#) [ADBJ77-A1PL3155](#) [ADBJ77-E1-UPL20](#) [ADBJ77-E2-PL20](#) [242215](#)
[242228](#) [R125680000W](#) [R191117000](#) [R191123000](#) [R191303000](#) [R191313000](#) [R191315000](#) [R191316700](#) [R191327000](#) [R191331000](#)
[R191333000](#) [R191365000](#)