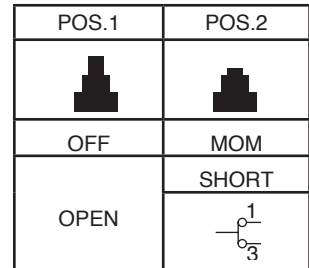
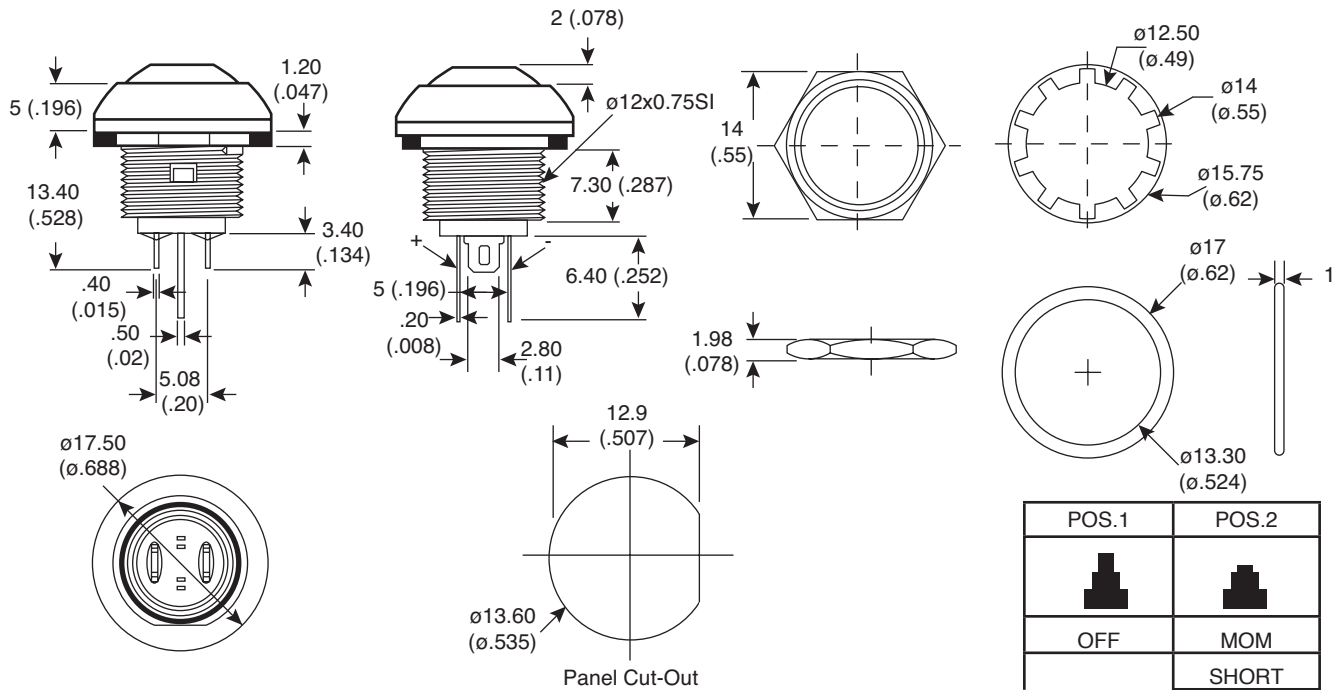


DIMENSIONS: mm (in.)



Lens Appearance	Color	Electro-optical Data (AT 20mA)				Viewing Angle 2Ø 1/2 (deg.)
		Vf(V)		Iv(mcd)		
		Typ.	Max.	Min.	Typ.	
Water Clear	Super Red	2.1	2.6	42.0	100.0	35°
	Super Yellow Green	2.0	2.6	42.0	80.0	
	Super Yellow	2.1	2.6	94.0	200.0	
	Super Blue	2.8	3.2	28.0	70.0	
	Super White	3.5	4.0	140.0	300.0	

Mouser Stock No.	Button Color	LED Color
107-6215-EVX	Yellow	White
107-6217-EVX	Blue	Red
107-6213-EVX	Red	Yellow
107-6212-EVX	Black	Green
107-6211-EVX	Black	Blue

Electrical Specifications:

- Max current/voltage rating with resistive load: 400mA/32VAC-100mA/50VDC-125mA/125VAC
- Initial Contact Resistance: 50 mΩ max.
- Insulation Resistance: 1 GΩ min. at 500VDC
- Dielectric Strength: 1,000 VAC rms.
- Electrical Life at Full Load: 500,000 cycles

Materials:

- Case: Polyamide 4/6
- Cap: Polyamide 6/6
- Bushing: Polyamide 6/6
- Terminal/Contacts: Gold over silver plated
- Hardware Included: 1 Hexnut and 1 Washer

Mechanical Specifications:

- Total Travel: 1.5 mm (.059 in.)
- Operating Force: 2N~5N
- Contact Bounce: 10ms
- Mechanical Life: 1,000,000 cycles
- Torque: 1.5 Nm max. applied to nut.

Soldering Specifications:

- 300°C max. for 3 seconds

Note:

- RoHS Compliant by Exemption

Illuminated Pushbutton Switches

107-6215-EVX, 107-6217-EVX, 107-6213-EVX,
107-6212-EVX, 107-6211-EVX



X-ON Electronics

Authorized Distributor

Click to view similar products for [Pushbutton Switches](#) category:

[65101K206X](#) [M7E-HRN2](#) [701PB580](#) [MB2011SB1W03-DF](#) [MB2061SS1W01-CF](#)

[MB2411JG01-H](#) [MB2411S1W01-HB](#) [9001KR1BH5](#) [9001KR9R05](#) [9001KXRK](#)