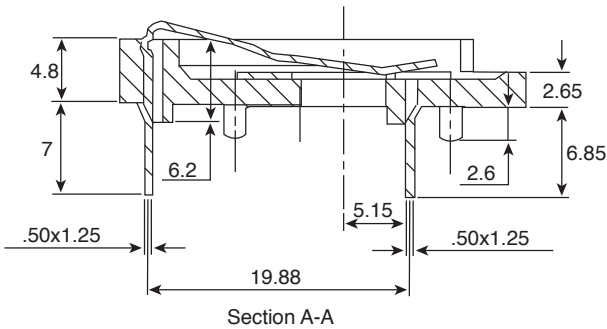


PCB Mounting Layout



Section A-A

DIMENSIONS: mm

## SPECIFICATIONS

<b>Contact Material:</b>	0.5mm Thick Spring Steel Nickel Plated
<b>Current Rating:</b>	0.5A (AC/DC)
<b>Voltage Rating:</b>	500V (AC/DC)
<b>Contact Resistance:</b>	30m $\Omega$
<b>Insulation Resistance:</b>	1000M $\Omega$
<b>Temperature Range:</b>	-55°C to 85°C
<b>Battery Size:</b>	CR2430
RoHS Compliant	

Available from Mouser Electronics  
1-800-346-6873 / [www.mouser.com](http://www.mouser.com)

EPD-200960

# X-ON Electronics

Authorized Distributor

*Click to view similar products for [Coin Cell Battery Holders](#) category:*

[1081TR](#) [1058TR](#) [1057](#) [1057TR](#) [1082TR](#) [101](#) [2226](#) [1052](#) [105](#) [1063TR](#)