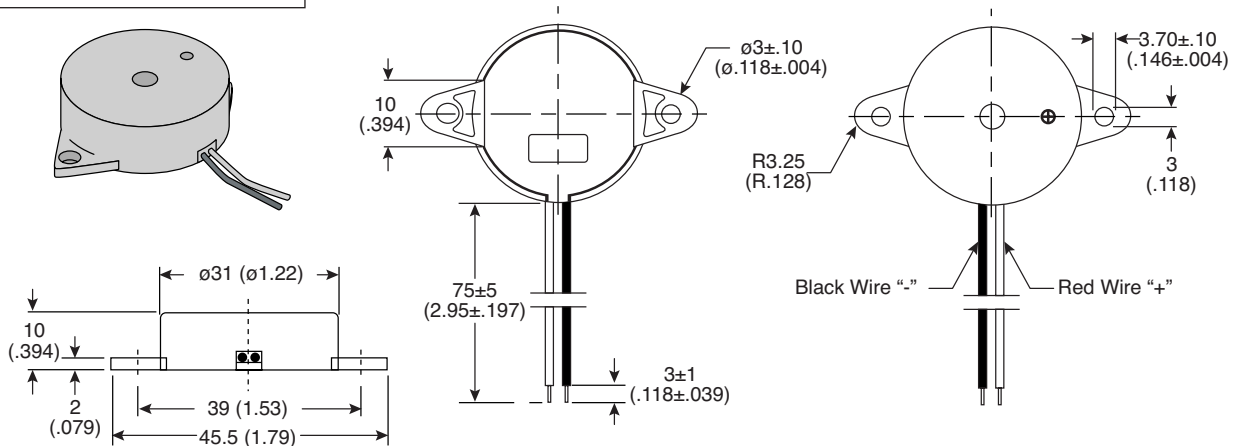
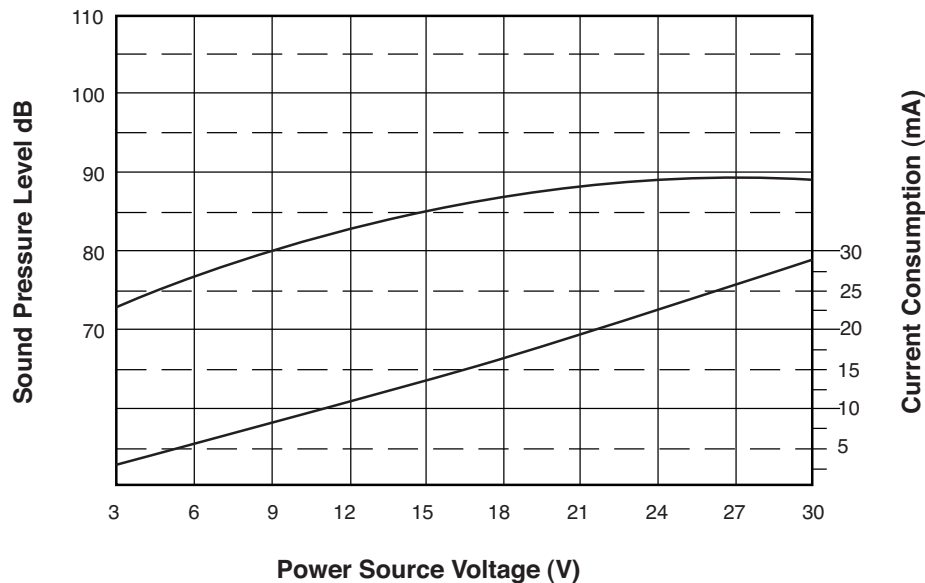


Part Number:

254-PB511-ROX



**Piezoelectric Buzzer
(Self-Drive)**



KT-400411

Electrical Specifications:

- Sound Pressure Level: 80dB min./30cm./9VDC
- Oscillating Frequency: 2.5 ± 0.5KHz
- Current Consumption: 8mA max./9VDC
- Operating Voltage: 3 to 30VDC

Materials:

- Tone: Continuous
- Case: PBT
- Lead Wire: 28AWG
- Weight: 7 grams

Mechanical Specifications:

- Operating Temperature: -30°C to +70°C
- Storage Temperature: -40°C to +85°C

Note:

- RoHS compliant by exemption

X-ON Electronics

Authorized Distributor

Click to view similar products for [Audio Indicators & Alerts](#) category:

[6-4](#) [PL-27A35ERQ](#) [PS-531Q](#) [AVW-15SBR-RL-12](#) [MSE28MSN2S](#) [19-401C](#) [PB27-RC12AW](#) [254-EMB73-RO](#) [SC250N](#) [SC616P](#)