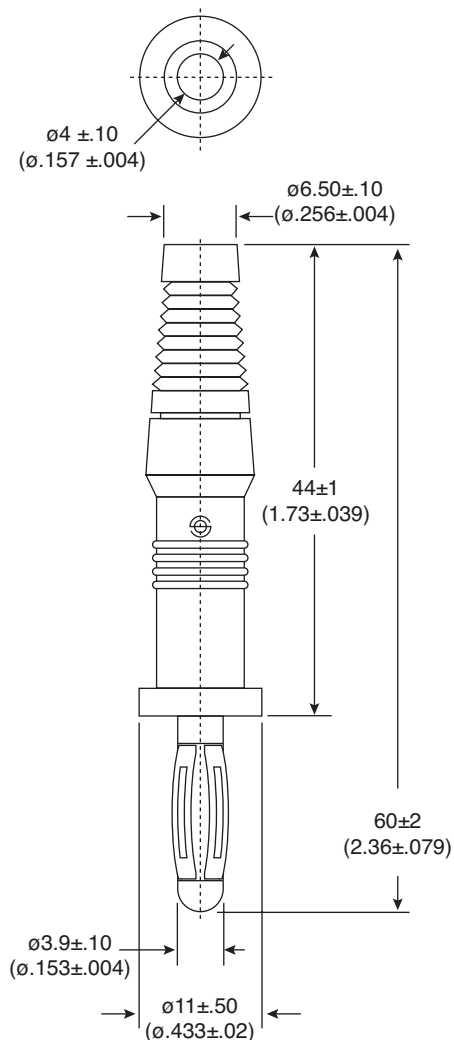


Banana Plugs

174-R820B-EX, 174-R820R-EX



Banana Plugs



Dimensions: mm (in.)

Mouser Stock No.	Color
174-R820B-EX	Black
174-R820R-EX	Red

SPECIFICATIONS	
Rating:	10A
Insulation Resistance:	500VDC 100MΩ Min.
Dielectric Strength:	1200VAC 1 Minute
Temperature Range:	-20°C ~ +80°C
RoHS Compliant by Exemption	

Date Last Revised: 03/06/07

Available from Mouser Electronics
1-800-346-6873 / www.mouser.com

KC-301110

Specifications are subject to change without notice. No liability or warranty implied by this information. Environmental compliance based on producer documentation.

174-R820B-EX, 174-R820R-EX

X-ON Electronics

Authorized Distributor

Click to view similar products for [Test Plugs & Test Jacks](#) category:

[R941342000](#) [125041/W](#) [BU-6162-M-60-2](#) [2798](#) [4092](#) [1050762-1](#) [111-0106-001](#) [23.3160-21,+ -22,+ -23,+ -24,+ -25](#) [F70321S078L180](#) [7015](#)