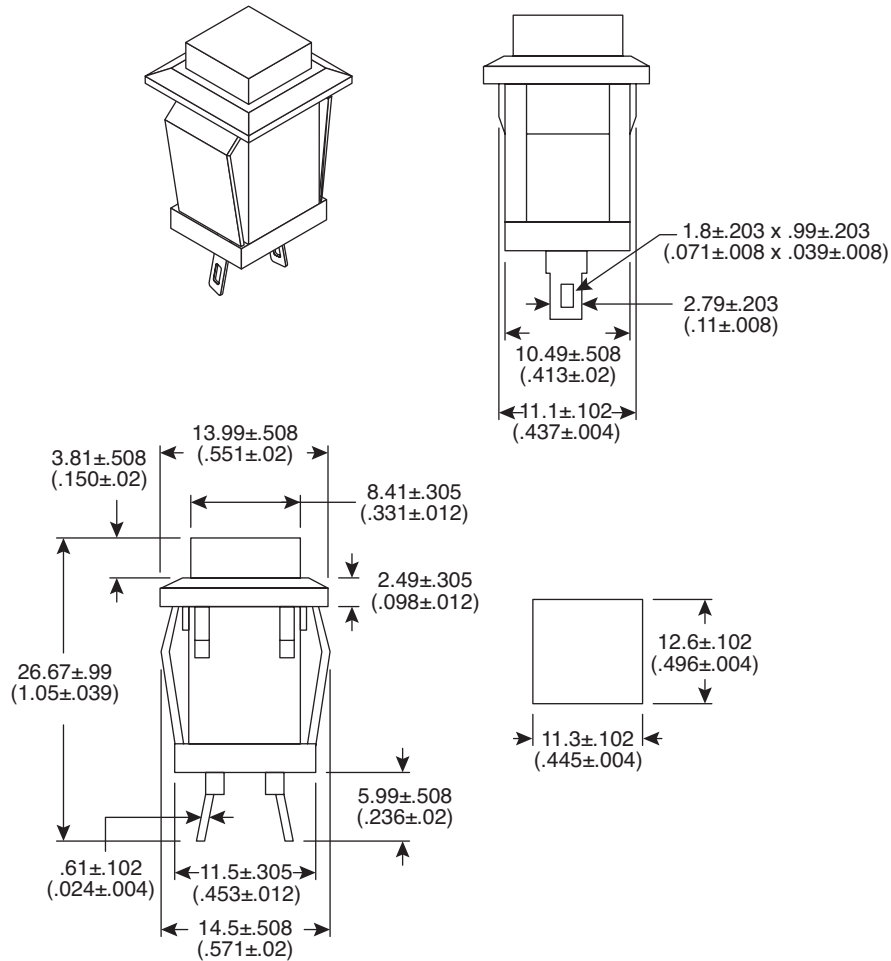


Dimensions: mm (In.)



Electrical Specifications:

- Rating: 1A/125VAC, .5A/250VAC
- Contact Resistance: 20mΩ max.
- Insulation Resistance: 100MΩ min. @ 500VDC
- Dielectric Strength: 1000VAC for 1 minute

Note:

- RoHS Compliant

| Mouser Stock No. | Type | Circuit | Button Color |
|------------------|--------|----------|--------------|
| 103-1209-EV | 2PSPST | Off-(On) | Green |
| 103-1210-EV | 2PSPST | Off-(On) | Red |
| 103-1211-EV | 2PSPST | Off-(On) | Black |

Pushbutton Switches

103-1209-EV, 103-1210-EV, 103-1211-EV



X-ON Electronics

Authorized Distributor

Click to view similar products for [Pushbutton Switches](#) category:

[65101K206X](#) [M7E-HRN2](#) [701PB580](#) [MB2011SB1W03-DF](#) [MB2061SS1W01-CF](#)

[MB2411JG01-H](#) [MB2411S1W01-HB](#) [9001KR1BH5](#) [9001KR9R05](#) [9001KXRK](#)