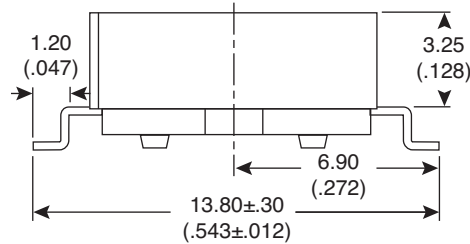
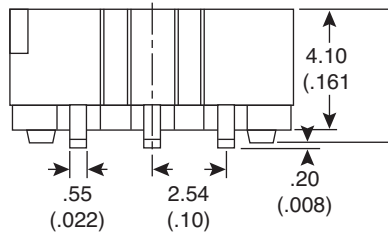
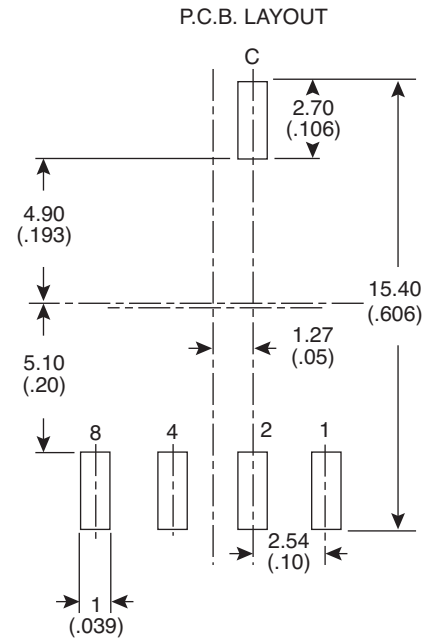
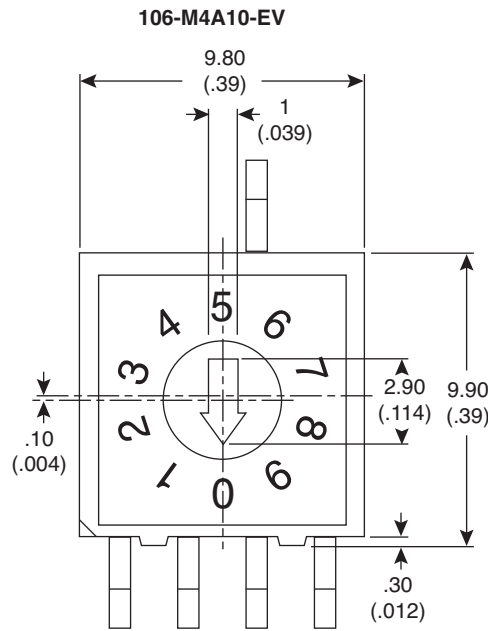
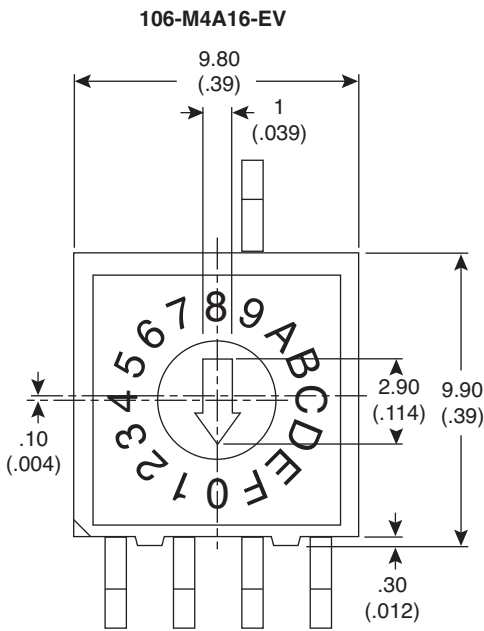


Dimensions: mm (in.)



CIRCUIT CHART

		CODE			
		1	2	4	8
10 STEP	0	●	●	●	●
	1	○	●	●	●
	2	●	○	●	●
	3	○	○	●	●
	4	●	●	○	●
	5	○	●	○	●
	6	●	○	○	●
	7	○	○	○	●
	8	●	●	●	○
	9	○	○	●	○
16 STEP	A	○	○	●	○
	B	○	○	●	○
	C	○	●	○	○
	D	○	●	○	○
	E	●	○	○	○
	F	○	○	○	○

○ ON  
● OFF

Electrical Specifications:

- Rating:  
Non-Switching: 100mA/50V DC  
Switching: 25mA/24V DC
- Contact Resistance: 100mΩ Max. (initial)
- Dielectric Strength: 250V AC for 1 min.
- Insulation Resistance: 100MΩ min. @ 250V DC

Mechanical Specifications:

- Operating Temperature: -25°C - +80°C
- Storage Temperature: -40°C - +85°C
- Operation Force: 200gf cm Max.

Note:

- RoHS Compliant

Rotary Dip Switches  
106-M4A10-EV, 106-M4A16-EV



# X-ON Electronics

Authorized Distributor

*Click to view similar products for* [Coded Rotary Switches](#) *category:*

[C22-WK-K20](#) [C22S-WKV-K10](#) [Q18LWK3R1-GN](#) [CCTPSS211](#) [C22-PVT60P-K02](#) [C22-WRK-K10](#) [94HBB16WT](#) [FR01FR16P-S](#) [C22-PVT45P-K11](#) [C22-WRK-K02](#)