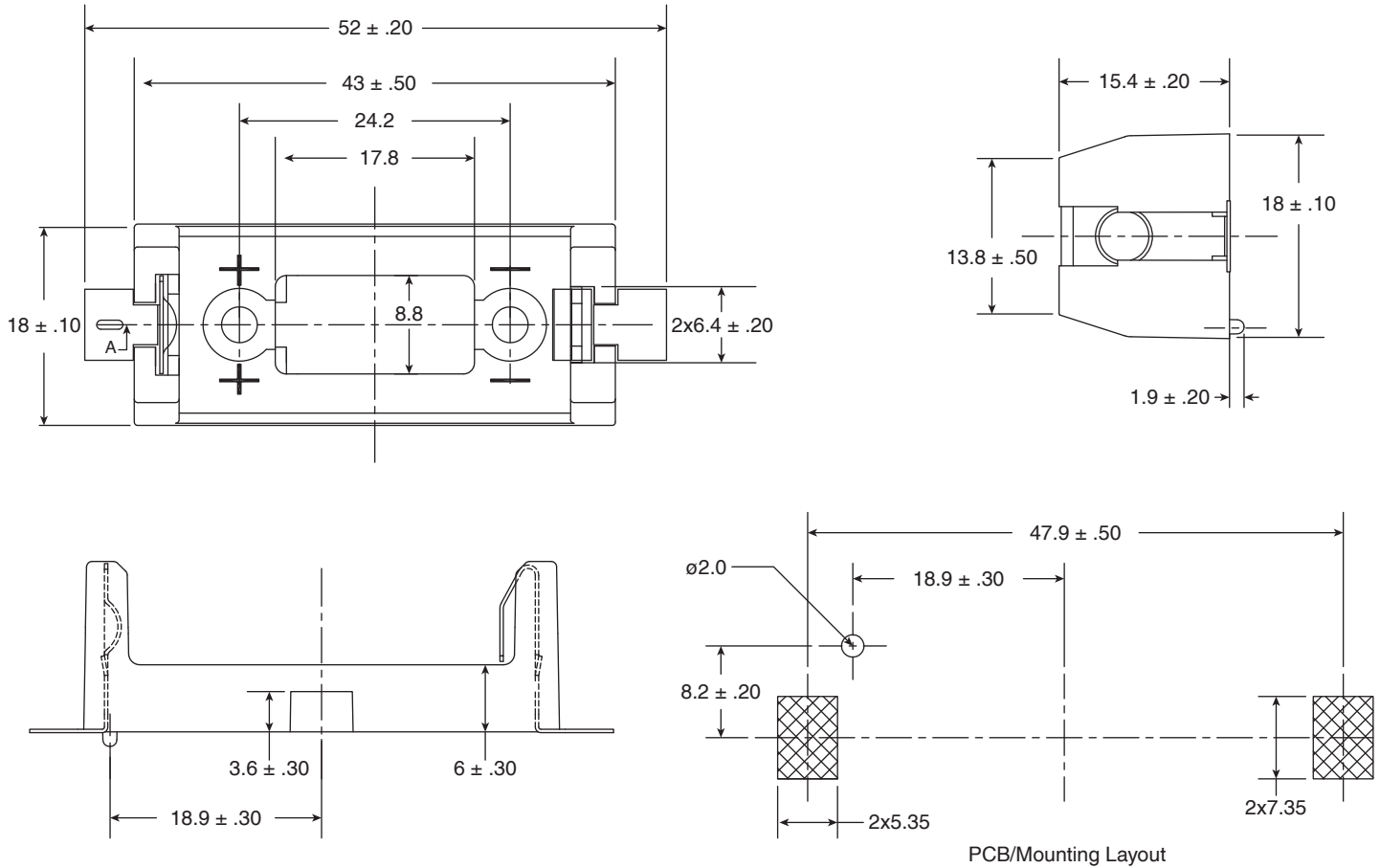


DIMENSIONS: mm.



SPECIFICATIONS

| | |
|-------------------------------------|--|
| Holder Material & Color: | PA46+30% Glass Fibre, Black |
| Contact Material: | .3mm Thick Prospor, Bronze Nickel Plated |
| RoHS Compliant | |

X-ON Electronics

Authorized Distributor

Click to view similar products for Cylindrical Battery Contacts, Clips, Holders & Springs category:

[1185](#) [1076](#) [1129](#) [FLUKE 707](#) [1101](#) [5230](#) [1198](#) [1014](#) [163-165](#) [MM2030](#)