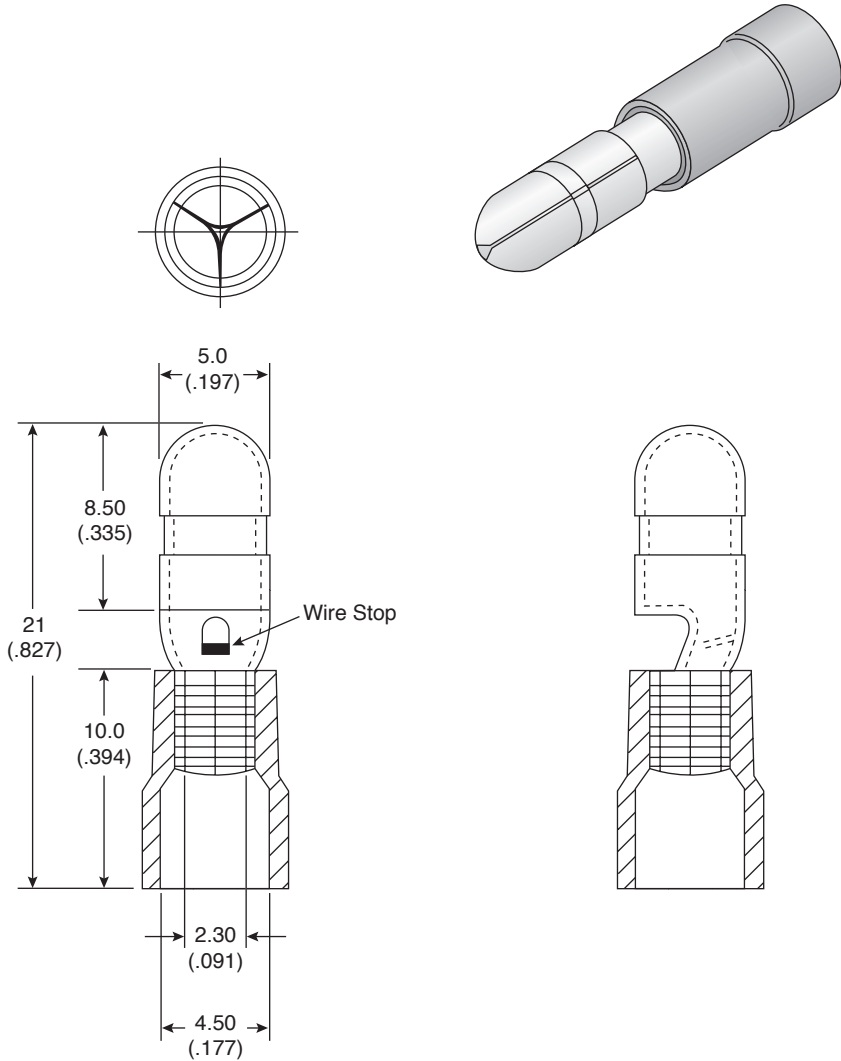


Bullet Connector

159-1616



Bullet Connect



Dimensions: mm (In.)

| SPECIFICATIONS | |
|----------------------------|------------------------|
| Wire Range: | 16-14 AWG |
| Maximum Electrical Rating: | 105°C @ 300 Volts Max. |
| Maximum Electric Current: | 15 Ampere |
| Color: | Blue |
| Type: | Solderless |

Date Last Revised: 6-27-05

Available from Mouser Electronics
1-800-346-6873
www.mouser.com

KC-300730

159-1616

X-ON Electronics

Authorized Distributor

Click to view similar products for [Terminals](#) category:

[0191440001](#) [604200-1](#) [60894-1](#) [710026-7](#) [76650-0030](#) [7820](#) [7824](#) [FDV14-187C](#) [FDV18-250C](#) [82-514](#)