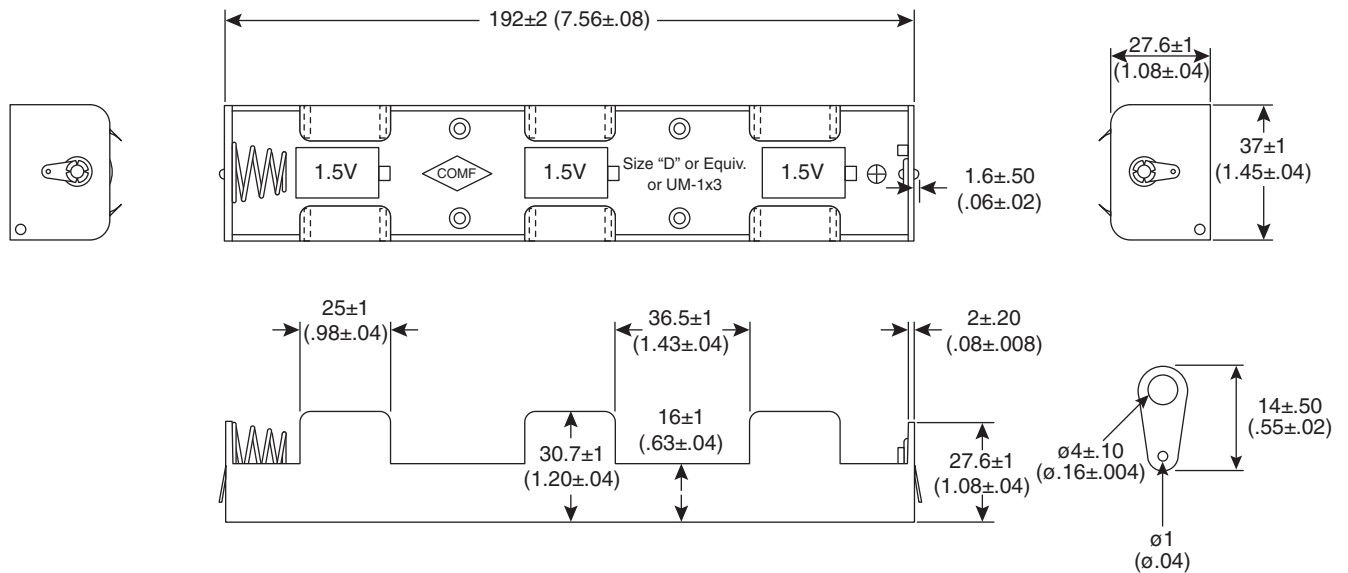
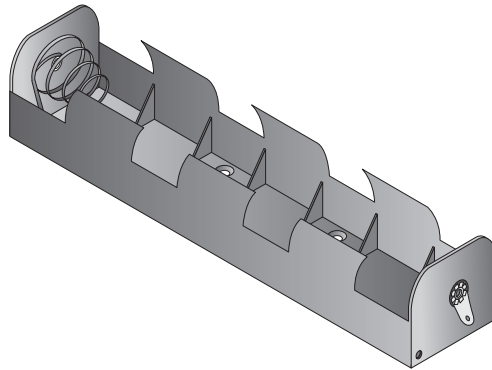


Date Last Revised: 4/8/10



DIMENSIONS: mm (in.)

SPECIFICATIONS	
Material:	P.P. Resin, Black Color
Spring:	0.9mm 65C Spring Wire
RoHS Compliant	

Available from Mouser Electronics  
1-800-346-6873 / www.mouser.com

EPD-200861

# X-ON Electronics

Authorized Distributor

*Click to view similar products for Cylindrical Battery Contacts, Clips, Holders & Springs category:*

[1185](#) [1076](#) [1129](#) [FLUKE 707](#) [1101](#) [5230](#) [1198](#) [1014](#) [163-165](#) [MM2030](#)