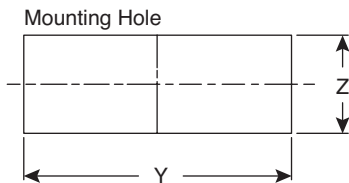
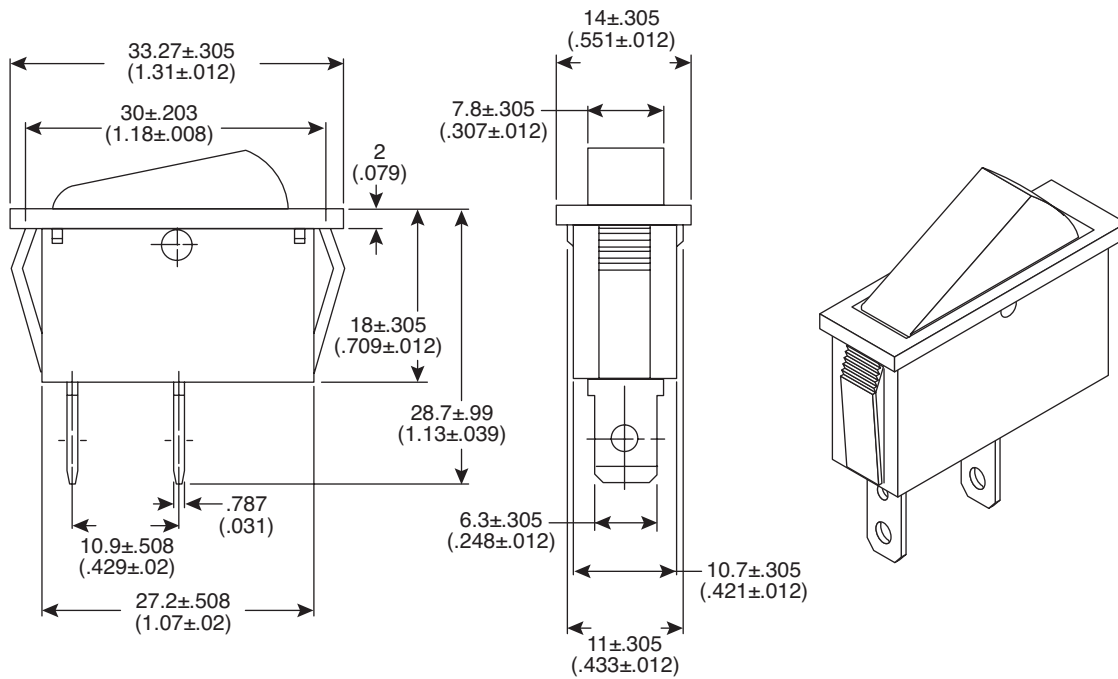


Dimensions: mm (In)



Panel Thickness	Y	Z
.030 to .049	1.189 ± .004	.441 ± .004
.049 to .079	1.197 ± .004	.441 ± .004
.079 to .118	1.213 ± .004	.441 ± .004

Electrical Specifications:

- Rating: 16A/125VAC, 10A/250VAC
- Contact Resistance: 50mΩ max.
- Insulation Resistance: 100MΩ min. @ 500VDC
- Dielectric Strength: 1500VAC for 1 minute

Mechanical Specifications:

- Circuit: 2P SPST On-Off
- Operating Temperature: -20°C to +70°C
- Storage Temperature: -20°C to +70°C

Note:

- RoHS Compliant

Rocker Switch
103-R13-70A-EV



X-ON Electronics

Authorized Distributor

Click to view similar products for [Rocker Switches](#) category:

[E105J1AV2QE2](#) [1TP33-7](#) [JWM21RB2AUCV](#) [K2AAAEBABD](#) [K2ABHAAAAA](#)
[K2ABJQEADA](#) [K3AA1EAA-ZZR1R2194](#) [1TP66-2](#) [M2T12TXG41](#) [35-3540](#)