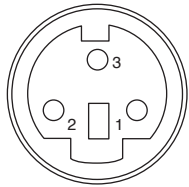


Mini-DIN In Line Jacks

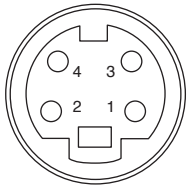
161-2603, 161-2604, 161-2605, 161-2606, 161-2608



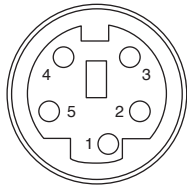
Mini-DIN In Line Jacks



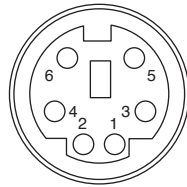
161-2603



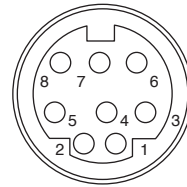
161-2604



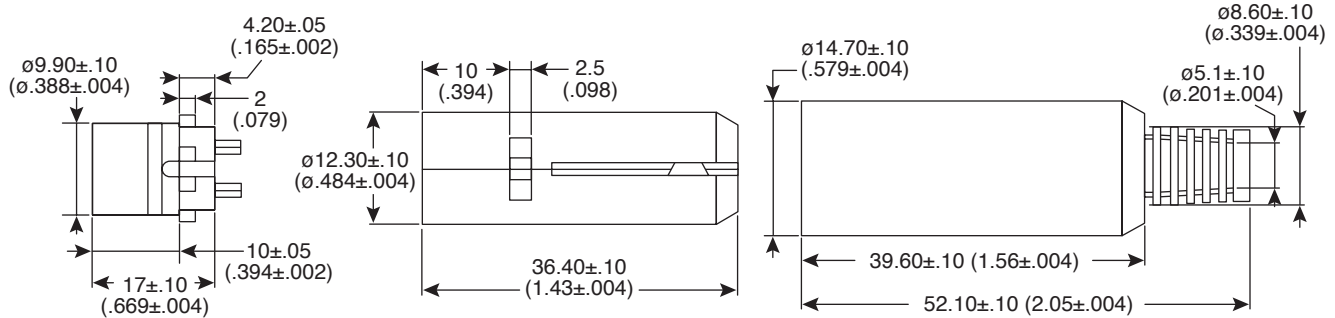
161-2605



161-2606



161-2608



Dimensions: mm (In.)

MATERIALS

Boot:	PVC
Middle Hood:	ABS
Metal Part:	Nickel Plated Copper
Insulator:	PC
Pin Contact:	Silver Plated Copper

Date Last Revised: 10-19-05

Available from Mouser Electronics
1-800-346-6873
www.mouser.com

KC- 300794

161-2603, 161-2604, 161-2605, 161-2606, 161-2608

X-ON Electronics

Authorized Distributor

Click to view similar products for [Circular DIN Connectors](#) category:

[M28840/29CB1DAP1](#) [CTV01RW-17-26P](#) [CTV01RW-17-6P](#) [CTV01RW23-35S](#)

[CTVPS00RF25-43PD\(LC\)](#) [M83723/71W22557](#) [M83723/72W24616](#) [M83723/72W2461N](#)

[M83723/73W12036](#) [M83723/75A22557](#)