



NOTES:

1. ROHS COMPLIANT

2. HEADER: THERMOSET PLASTIC MATERIAL WITH FLAMMABILITY RATING UL 94V-0 OR BETTER.

3. STORAGE TEMPERATURE: -40°C TO +125°C

4. COMPLIANCE TO J-STD:

A. J-STD-002: SOLDERABILITY AT 245°C REFLOW PROFILE

B. J-STD-020: LEVEL 1, NO MOISTURE SENSITIVE

C. J-STD-075: W7, 270°C MAXIMUM THROUGH WAVE SOLDER

5. FOR MORE INFORMATION PLEASE CONTACT PULSE ELECTRONICS:

PHONE:

USA: 858 674 8100

GERMANY: 49 7032 78060

SINGAPORE: 65 6287 8998

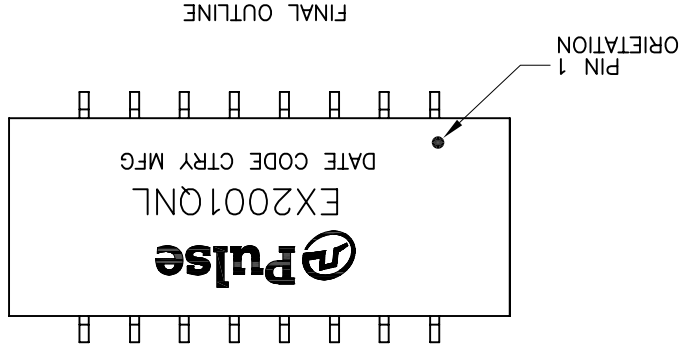
SHANGHAI: 86 21 62787060

TAIWAN: 886 3 4356768

E-MAIL:

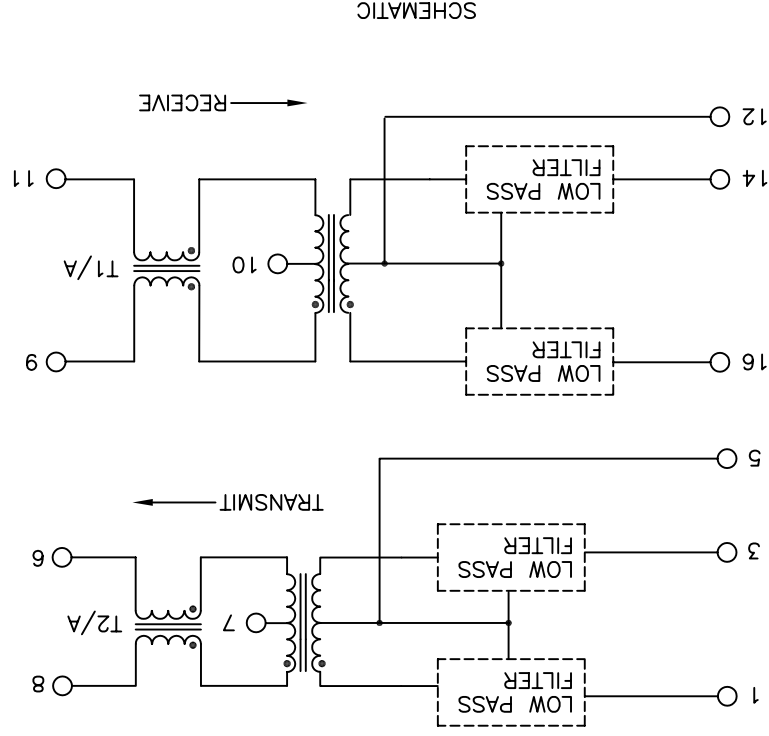
PRODINFONETWORK@PULSEELECTRONICS.COM (US)

ASIA@PULSEELECTRONICS.COM (Asia)



PRODUCT DESCRIPTION	TLA DRAWING	PS DRAWING	SHEET:	PART NO.	DATA SHEET REV.
MDL,SIN,10F,1:1,SM,TU	EX2001QNL-14	PS-2470.001-A	1 OF 3	EX2001QNL	A

© Copyright, 2013, Pulse Electronics Corp. All rights reserved. Pulse confidential & proprietary. Drawing specifications subject to change without notice. (11/28/13)



NOTE: f IS FREQUENCY IN MHZ.

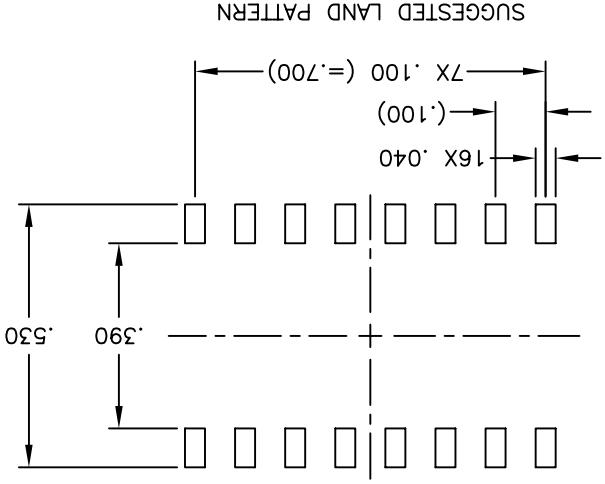
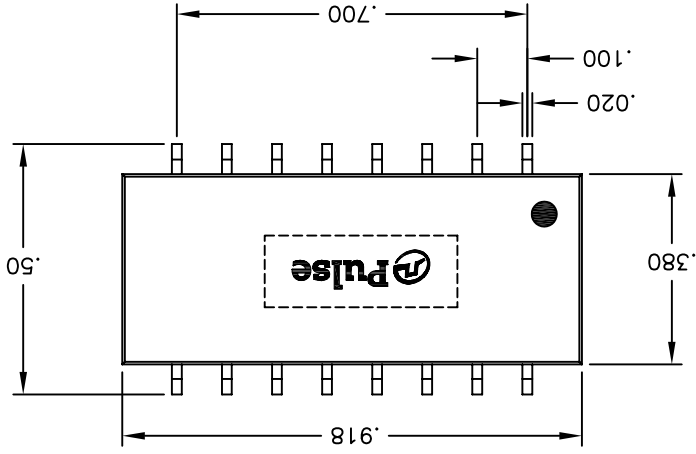
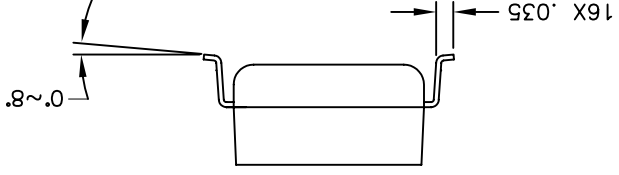
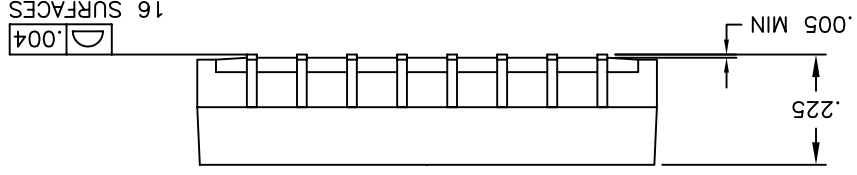
INPUT - OUTPUT ISOLATION		1500 VRMS FOR 60 SECONDS			
COMMON MODE REJECTION RATIO	-60 DB MIN	-50 DB MIN	-40 DB MIN	-40 DB MIN	-40 DB MIN
	5 - 10 MHZ	50 MHZ	100 MHZ	200 MHZ	200 MHZ
CROSSTALK, ADJACENT CHANNELS	-35 DB MIN	-25 DB MIN	-20 DB MIN		
	5 - 10 MHZ	30 - 50 MHZ	100 MHZ		
RETURN LOSS (MEDIA SIDE, -40°C-85°C) (Z OUT = 100 OHM)	-18 DB MIN				
	5 - 10 MHZ				
OCL (SAMPLE) (MEDIA SIDE, -40°C-85°C)	250 uH MIN (AT 100 KHZ, 100 mV)				
INSERTION LOSS (MEDIA SIDE, -40°C-85°C)	-1.0 DB MAX	-30 DB MIN	-1.0 DB MAX	-16 DB MIN	-35 DB MIN
	1 - 10 MHZ	30 MHZ	50-100 MHZ	1 - 10 MHZ	30 MHZ
		TX		RX	
POLARITY PER SCHEMATIC					
TURN'S RATIO 1 : 1 ±2%					
OPERATING TEMP -40°C - +85 °C					
PARAMETER SPECIFICATIONS					

ELECTRICAL CHARACTERISTICS AT +25°C UNLESS OTHERWISE SPECIFIED (FOR REFERENCE ONLY, USED FOR CUSTOMER INFORMATION.)

MDL,SIN,10F,1:1,SM,TU	EX2001QNL-14	PS-2470.001-A	3 OF 3	EX2001QNL	A
PRODUCT DESCRIPTION	TLA DRAWING	PS DRAWING	SHEET:	PART NO.	DATASHEET REV.

© Copyright, 2013, Pulse Electronics Corp. All rights reserved. Pulse confidential & proprietary. Drawing specifications subject to change without notice. (11/28/13)

DIMENSIONS ARE IN INCHES WITH THE FOLLOWING
 TOLERANCES:
 .XX = ±.02
 .XXX = ±.010



SUGGESTED LAND PATTERN

X-ON Electronics

Largest Supplier of Electrical and Electronic Components

Click to view similar products for [Audio Transformers](#) / [Signal Transformers](#) category:

Click to view products by [Pulse manufacturer](#):

Other Similar products are found below :

[749023020](#) [CU4S0506AT-2655-H1](#) [MET-58](#) [PE-64961](#) [H5008FNL](#) [H5020FNLT](#) [H5079NLT](#) [1879479-1](#) [1879564-1](#) [PA1277NLT](#)
[PA1528ANL](#) [PA2007NLT](#) [FL1066](#) [T1137NLT](#) [T3012NL](#) [PE-65812FNL](#) [TTC-100](#) [TTC-143-H](#) [TTC-5032-1](#) [HX1234NLT](#) [HX5008FNLT](#)
[100B-1001XNL](#) [PA1282NLT](#) [HX5084FNL](#) [T1108NLT](#) [2-1879391-5](#) [TTC-266-2](#) [3-1879385-4](#) [PA1032NL](#) [H2009FNLT](#) [PA0801NLT](#)
[TTC-266](#) [X-1619](#) [SM51295PEL](#) [T5008NLT](#) [PE-68517T](#) [HX1294NLT](#) [HX5084FNLT](#) [H5015FNLT](#) [H6080NLT](#) [CX2024NL](#) [HX1294FNLT](#)
[TX1473NLT](#) [PE-69011NLT](#) [CX2047LNLT](#) [CX2043LNLT](#) [DCT20EFD-U32S003](#) [H5120NLT](#) [H7137FNLT](#) [H1259NLT](#)