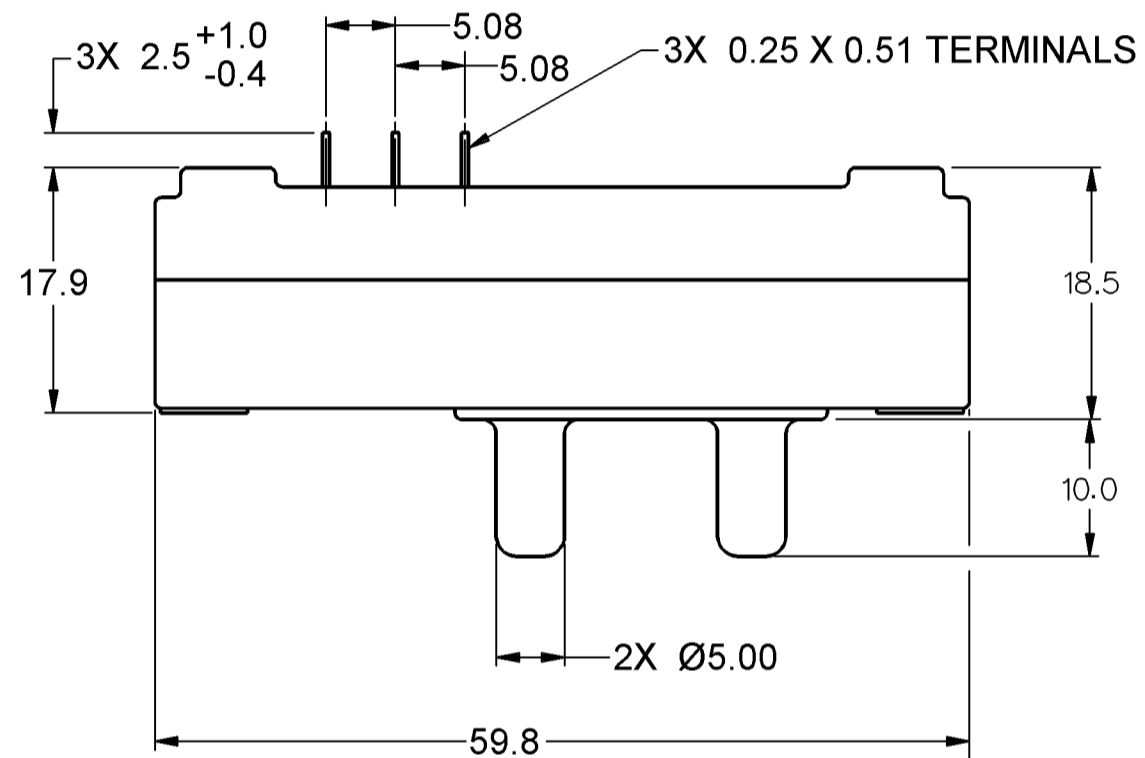
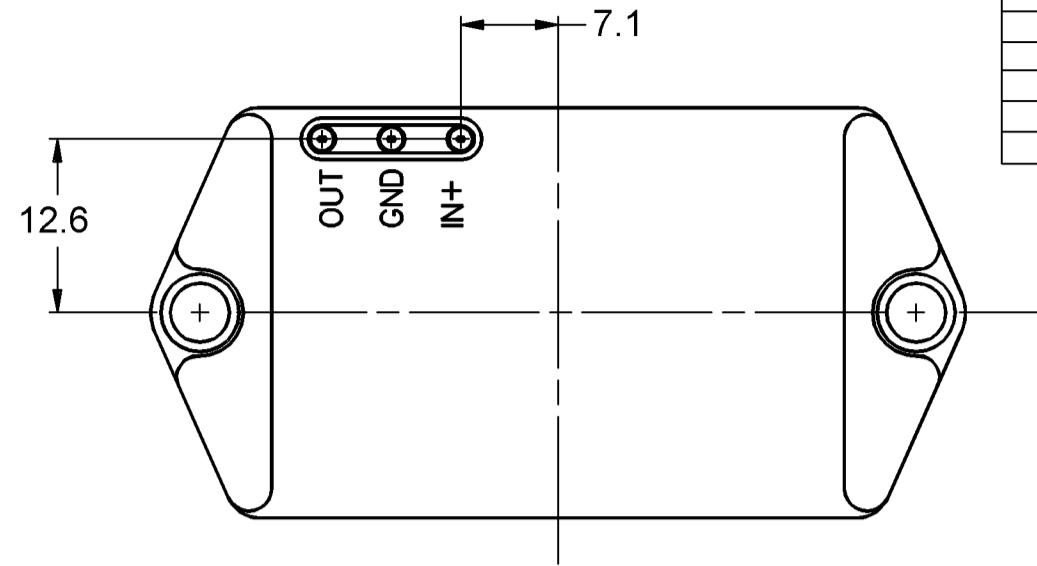


CATALOG LISTING	TYPE	OPERATING PRESSURE RANGE
141PC05G /1/	G	0 TO -5 PSIG
⑤ 142PC05D /1/	A	0 TO 5 PSIA
142PC05D /1/	D	0 TO 5 PSID
142PC05G /1/	G	0 TO 5 PSIG
142PC05D22 /5/	D	0 TO 5 PSID
142PC05D73 /6/	D	0 TO 5 PSID

GENERAL OPERATING CHARACTERISTICS	
PRESSURE RANGE	0 TO 259 mmHg (0 TO 5 PSI)
OVERPRESSURE	1035 mmHg (20 PSI)
TEMPERATURE RANGES	
STORAGE	-55°C TO +125°C
OPERATING	-40°C TO +85°C
COMPENSATED	-18°C TO +63°C
SUPPLY VOLTAGE	7 TO 16 VDC
SUPPLY CURRENT	20mA MAX WITH 10K LOAD
OUTPUT VOLTAGE	PROPORTIONAL TO SUPPLY VOLTAGE OVER ABOVE RECOMMENDED RANGE
SHORT CIRCUIT LIMIT	MAY BE SHORTED INDEFINITELY
OUTPUT RIPPLE	NONE
GROUND REFERENCE	SUPPLY AND OUTPUT ARE COMMON

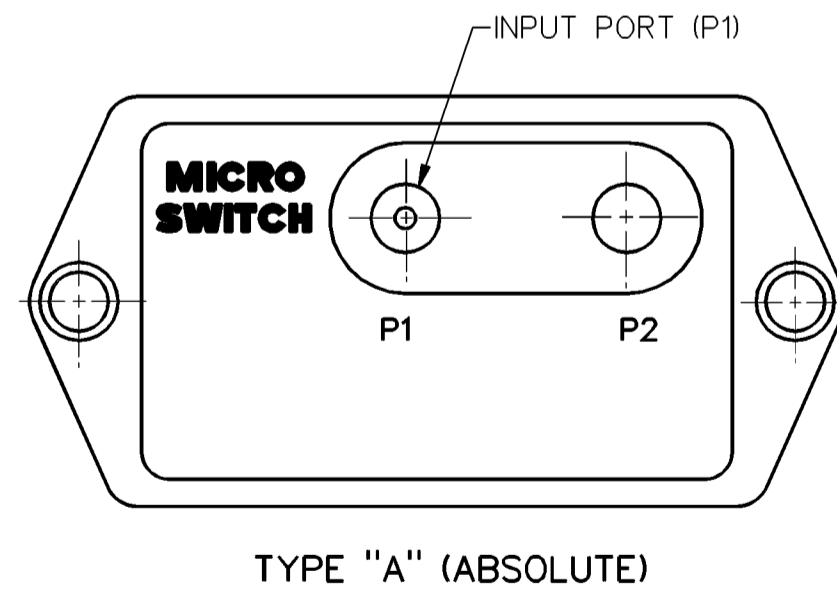
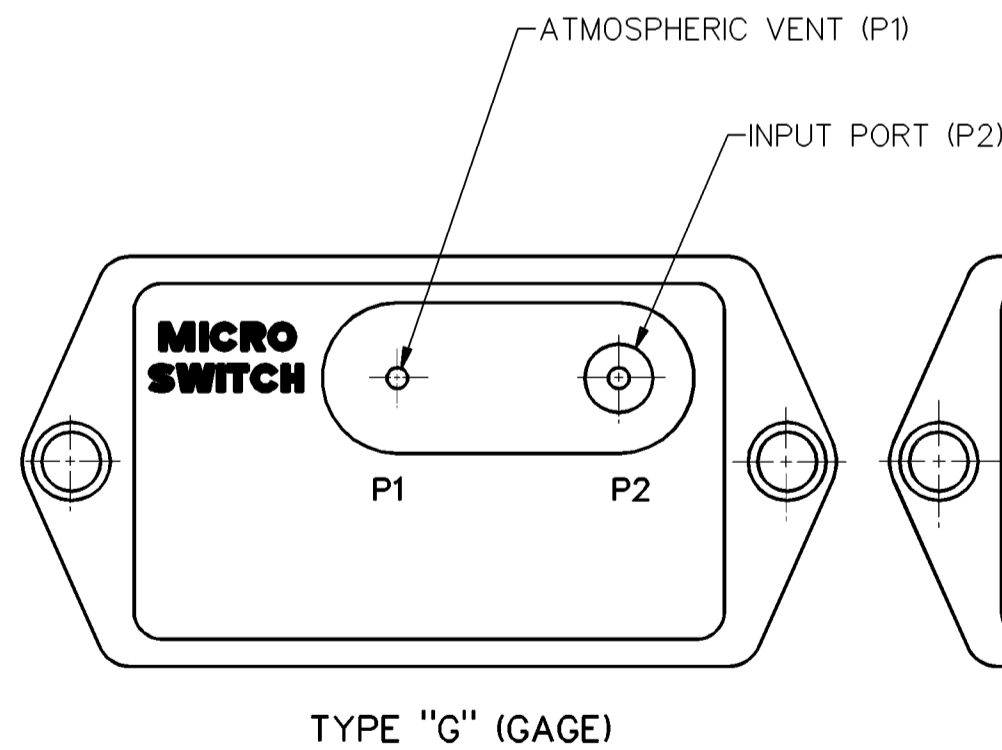
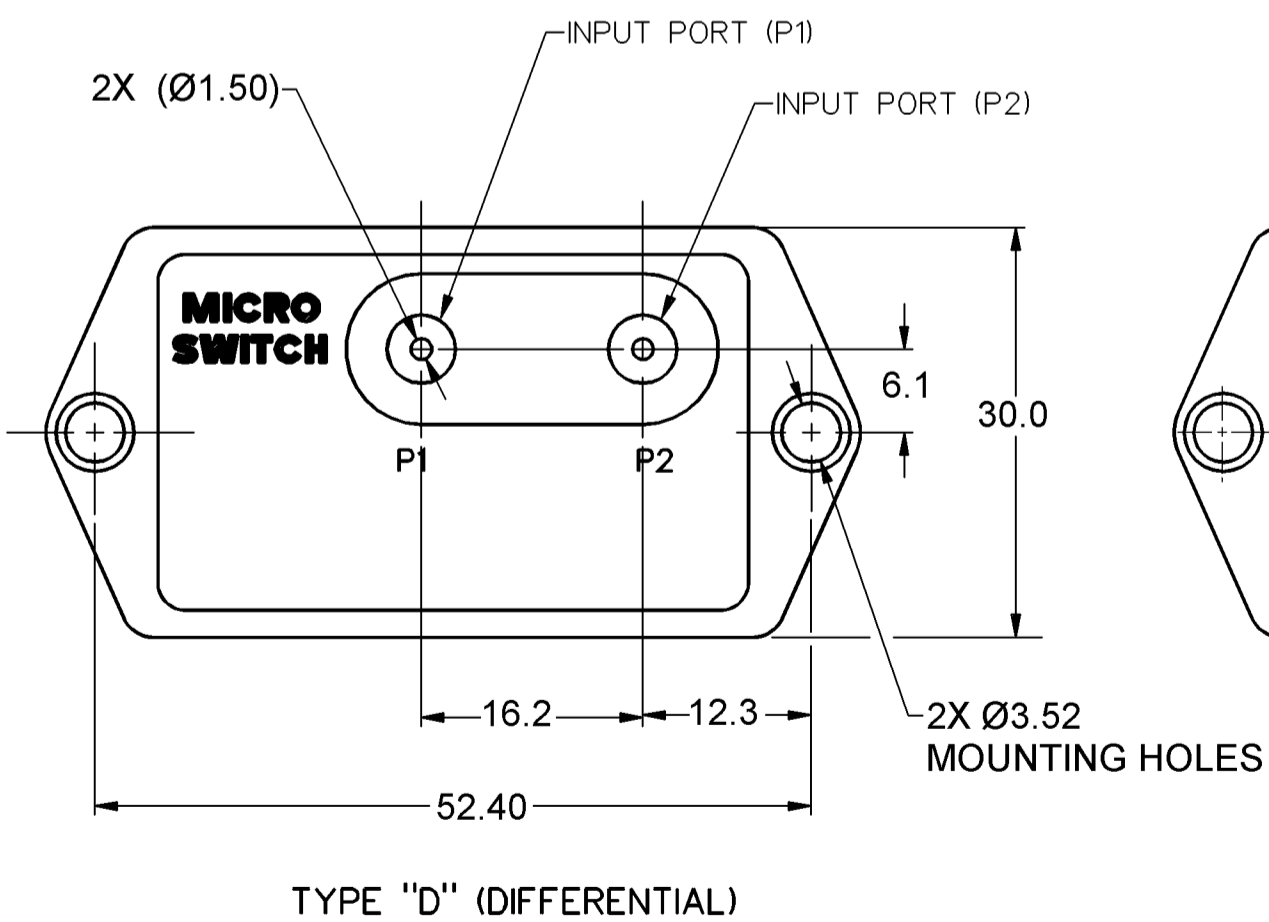


- NOTES:
 1 - INPUT MEDIA:
 P1 - DRY GASES ONLY; CONNECTION SIDE OF SENSOR
 P2 - LIMITED ONLY TO THOSE MEDIA THAT WILL NOT ATTACK POLYESTER, SILICON OR SILICONE BASED ADHESIVE
 2 - TERMINALS ARE PLATED FOR SOLDERING
 3 - LIMIT SOLDERING TO 315°C MAX FOR 10 SECONDS MAX
 4 - UNITS ARE OF PLASTIC CONSTRUCTION
 ⑤ P2 - MATERIAL SELECTED FOR RESISTANCE TO GASOLINE AND GASOLINE VAPOR
 ⑥ ALLOW ±13mV NULL

ELECTRICAL PERFORMANCE AT 25°C AND 8.00±.01 VDC SUPPLY

OUTPUT VOLTAGE	
141PC05G	
NULL (0 PSIG)	1.000±.050 VDC
FULL SCALE (5 PSIG)	6.000 VDC TYP P1 > P2
SPAN	5.000±.050 VDC
142PC05D OR G	
NULL (0 PSIG)	1.000±.050 VDC
FULL SCALE (5 PSIG)	6.000 VDC TYP P2 > P1
SPAN	5.000±.050 VDC
SENSITIVITY	1000 mV/PSI TYP
LINEARITY (B.F.S.L.)	.75% SPAN MAX P1 > P2 1.50% SPAN MAX P2 > P1
HYSTERESIS & REPEATABILITY	.25% SPAN TYP
TEMPERATURE ERROR	
+5°C TO +45°C	.50% SPAN TYP
-18°C TO +63°C	1.00% SPAN MAX
-40°C TO +85°C	2.00% SPAN TYP
142PC05A	
NULL (0 PSIA)	1.000 VDC TYP
REFERENCE (2 PSIA)	3.000±.050 VDC
FULL SCALE (5 PSIA)	6.000 VDC TYP P1 > P2
SPAN (2 TO 5 PSIA)	3.000±.050 VDC
SENSITIVITY	1000 mV/PSI TYP
LINEARITY (B.F.S.L.)	1.25% SPAN MAX
HYSTERESIS & REPEATABILITY	.25% SPAN TYP
TEMPERATURE ERROR	
+5°C TO +45°C	.83% SPAN TYP
-18°C TO +63°C	1.67% SPAN MAX
-40°C TO +85°C	3.33% SPAN TYP

DRAWING NUMBER 140PC05 SERIES CHART 1
 ISSUE 17
 PAGE 1 OF 1
 RELEASE NO. DR-2103-3 REPLACES
 REVISIONS
 A CO77436
 17 MAY 94
 B CO78224
 8 JUL 94
 C CO-177837
 20 APR 95
 D CO-18394
 3 FEB 00
 E 201727
 1 MAR 01
 F 0064472
 PRS
 19MAY10
 CHECK K A G 19MAY94
 RASTER
 J A F 18MAY94
 CHECK K A G 19MAY94



METRIC	INCH
0.4	.016
0.25	.010
0.51	.020
1.0	.039
1.5	.04
2.5	.099
3.52	.139
5.00	.197
5.08	.200
6.1	.240
7.1	.280
10.0	.39
12.3	.484
12.6	.496
16.2	.64
17.9	.70
18.5	.73
30.0	1.18
52.40	2.06
59.8	2.35

THIRD ANGLE PROJECTION

 SCALE 2 : 1
 DO NOT SCALE PRINT
 UNLESS OTHERWISE SPECIFIED TOLERANCES ARE
 NO PLACE (0) ± 1 mm
 ONE PLACE (0.0) ± 0.4 mm
 TWO PLACE (0.00) ± 0.15 mm
 ANGLES ±
 WEIGHT 31 GRAMS

THIS DRAWING COVERS A PROPRIETARY ITEM AND IS THE PROPERTY OF MICRO SWITCH, A DIVISION OF HONEYWELL. THIS DRAWING IS NOT TO BE COPIED OR USED WITHOUT THE APPROVAL OF MICRO SWITCH.
 CATALOG LISTING
MICRO SWITCH
 a Honeywell Division
 PRESSURE TRANSDUCER
 140PC05 SERIES
 CHART 1
 FED. MFG. CODE 91929

MASTER REDUCED
ANSI Y14.5M-1982 APPLIES

X-ON Electronics

Largest Supplier of Electrical and Electronic Components

Click to view similar products for [Board Mount Pressure Sensors](#) category:

Click to view products by [Honeywell](#) manufacturer:

Other Similar products are found below :

[80527-25.0H2-05](#) [80541-B00000150-01](#) [80541-B00000200-05](#) [80554-00700100-05](#) [80568-00300050-01](#) [81618-B00000040-01](#) [81739-B00000900-01](#) [81807-B00000020-01](#) [81808-B00000150-14](#) [82903-B00000020-01](#) [93.631.4253.0](#) [93.731.4353.0](#) [93.932.4553.0](#) [136PC150G2](#) [136PC15A1](#) [142PC95AW71](#) [142PC05DW70](#) [MPXV2202DPT1](#) [15PSI-G-4V](#) [1805-01A-L0N-B](#) [2000317-1](#) [26PCBKT](#) [26PCCFA6D26](#) [26PCCFS2G](#) [26PCCVA6D](#) [93.632.7353.0](#) [93.731.3653.0](#) [93.931.4853.0](#) [93.932.4853.0](#) [SCDA120-XSC05DC](#) [SP370-23-156-0](#) [185PC30DH](#) [192992-0059](#) [20INCH-G-MV-MINI](#) [26PCAFJ3G](#) [26PCAFS2G54](#) [26PCCEP5G24](#) [26PCJEU5G19](#) [30INCH-D1-MV-MINI](#) [ASCX15AN-90](#) [TSCSAAN001PDUCV](#) [DCAL401DN](#) [DCAL401GN](#) [XZ202798SSC](#) [XZ203676HSC](#) [SP370-25-116-0](#) [81717-00000050-05](#) [81794-B00001200-01](#) [HSCDLNN100PGAA5](#) [81618-B00000040-05](#)