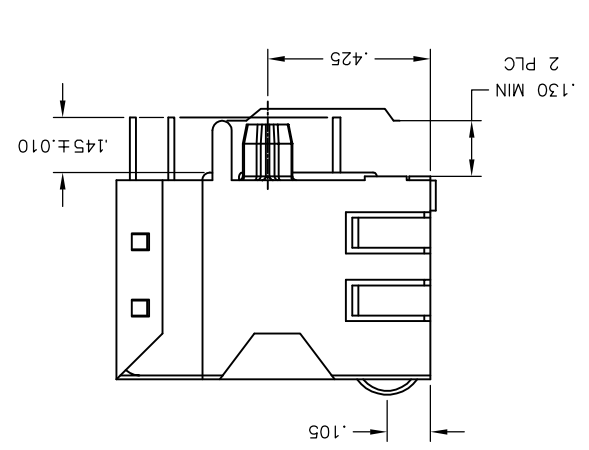
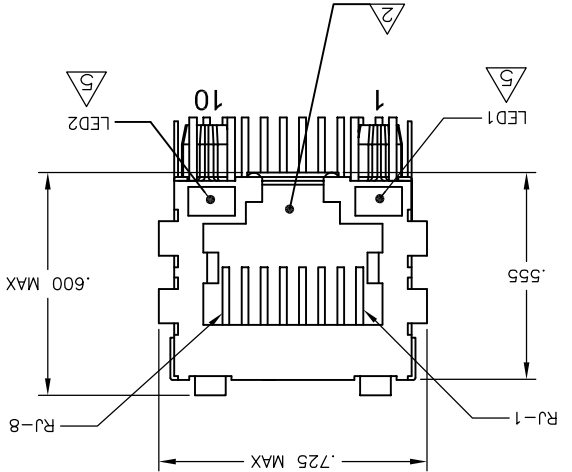
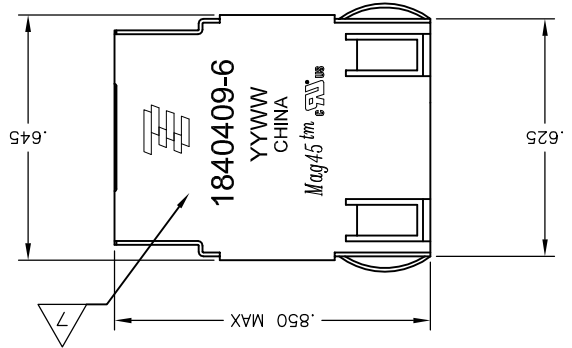
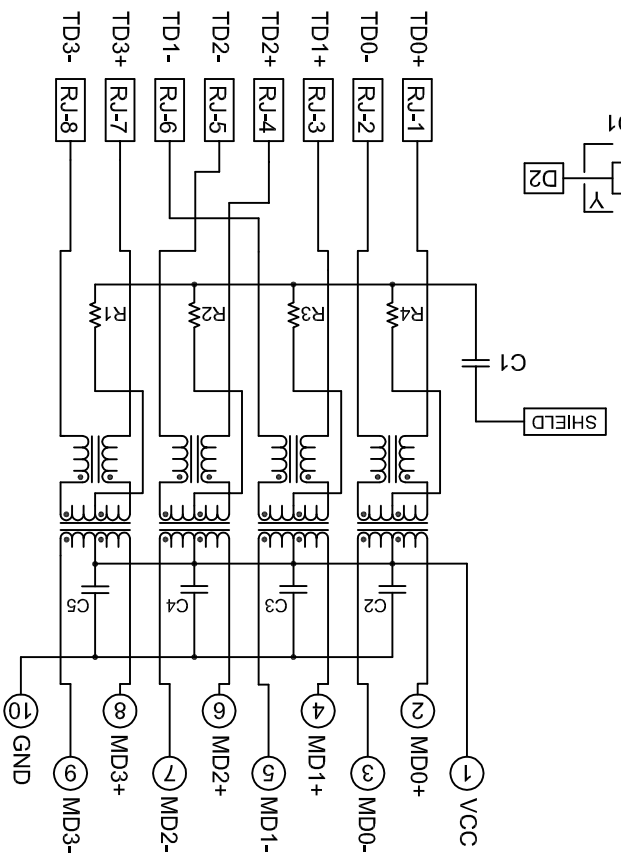


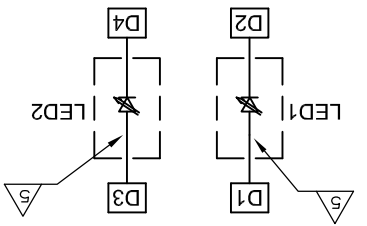
MECHANICAL:



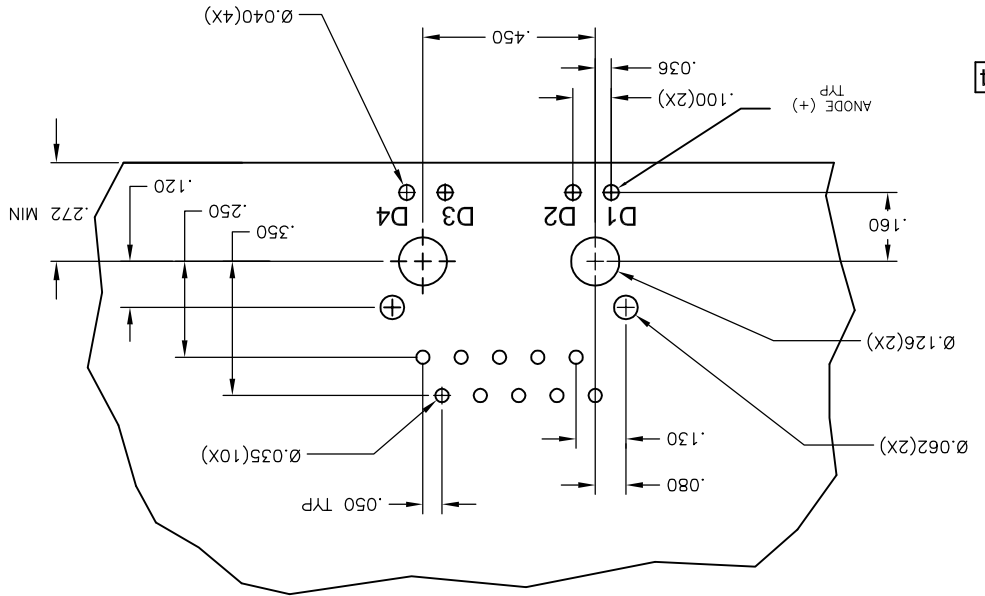
4G06ETP1 Series GIGABIT Magnetic Circuit



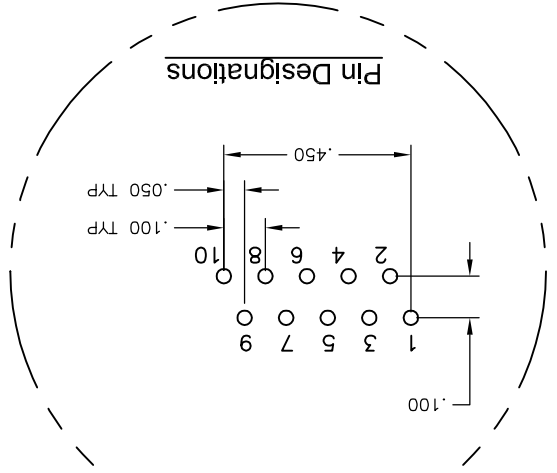
R1-R4=75 OHMS,1/16W RESISTORS
C1=1000 pF, 2KV DECOUPLING CAPACITOR
C2-C5=0.1uF,5%,50V,X7R CAPACITORS



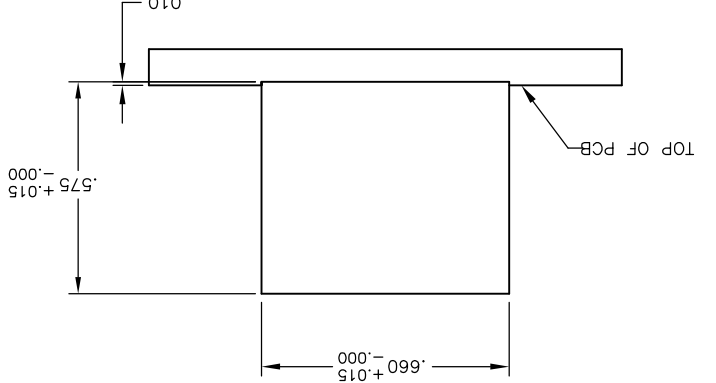
Suggested PCB Layout (Component Side)



Pin Designations



Suggested Panel Cutout



Customer drawing information table including part number 1840409-6, manufacturer TYCO ELECTRONICS, and various specifications.

- 8. THE PART IS RECOMMENDED FOR WAVE SOLDERING PROCESS, PREHEAT TEMPERATURE IS 120°C TO 160°C, 120 SECONDS TO 180 SECONDS, PEAK WAVE SOLDERING TEMPERATURE IS 260°C MAX, 10 SECONDS MAX.
MATERIALS: HOUSING - THERMOPLASTIC PET POLYESTER FLAMMABILITY RATING UL 94V-0. SHIELD - .010" THICK, C26800 BRASS PREPLATED WITH 30INCH SEMIBRIGHT NICKEL. SOLDER TABS POST DIPPED WITH 100INCH MIN SAC SOLDER. MOD JACK CONTACTS - 0.0157" X 0.018" PHOSPHOR BRONZE, 50INCH MIN OVERALL NICKEL UNDERPLATE, WITH SELECT 50INCH MIN HARD GOLD FINISH PLATE SOLDER TAILS WITH 100INCH MIN MATTE TIN AND/OR SAC SOLDER DIP. LIGHT EMITTING DIODE(LED) - DIFFUSED EPOXY LENS, .020" X .020" CARBON STEEL WIREFRAME LEADS PRE-PLATED WITH 80INCH SILVER OVER 40INCH NICKEL UNDERPLATE OVER 40INCH COPPER UNDERPLATE. POST-PLATED WITH 100INCH MIN MATTE TIN AND/OR SAC SOLDER DIP OR PURE TIN SOLDER DIP.
R445 JACK CAVITY CONFORMS TO FCC RULES AND REGULATIONS PART 68, SUB PART F. MAGNETICS
APPLICATION: 10/100/1000 BASE-T, EXTENDED TEMPERATURE
IMPEDANCE: 100 OHMS
-TURNS RATIO (CHIP-CABLE): 1:1 ALL FOUR PAIRS
-OPEN CIRCUIT INDUCTANCE (OCL): 350uH MIN @100kHz, 0.1V RMS, 8mADC BIAS FROM -40°C TO +85°C, ALL FOUR PAIRS
-ALL FOUR PAIRS BI-DIRECTIONAL
-PERFORMANCE @ 25°C:
INSERTION LOSS (IL): 1.1dB MAX FROM 0.5MHZ TO 100MHZ
RETURN LOSS (RL): 18dB MIN FROM 0.5MHZ TO 40MHZ
12-20LCOG(80)dB MIN FROM 40.1MHZ TO 100MHZ
CROSSTALK ATTENUATION: 35dB MIN FROM 0.5MHZ TO 40MHZ
COMMON MODE REJECTION RATIO (CMRR): 30dB MIN FROM 0.5MHZ TO 100MHZ
ISOLATION VOLTAGE: COMPLIES WITH IEEE802.3 2002, PARA 40.6.1.1, ITEM b.
4. OPERATING TEMPERATURE: FROM -40°C TO +85°C
LED IS DRIVEN WITH CONSTANT CURRENT AT APPROX 20mA.
LED COLOR: DOMINANT WAVELENGTH (λ D): GREEN 568 nm TYP, at IF=20mA
FORWARD VOLTAGE (VF): GREEN 2.2V TYP, at IF=20mA
DOMINANT WAVELENGTH (λ D): YELLOW 588 nm TYP, at IF=20mA
FORWARD VOLTAGE (VF): YELLOW 2.1V TYP, at IF=20mA
THE MAGNETICS ARE SYMMETRIC, AND SUPPORT AUTO-MD/MDIX.
TYCO ELECTRONICS LOGO, PART NUMBER, DATE CODE, COUNTRY OF ORIGIN AND AGENCY APPROVAL MARKING IN APPROXIMATE LOCATION SHOWN.
8. THE PART IS RECOMMENDED FOR WAVE SOLDERING PROCESS, PREHEAT TEMPERATURE IS 120°C TO 160°C, 120 SECONDS TO 180 SECONDS, PEAK WAVE SOLDERING TEMPERATURE IS 260°C MAX, 10 SECONDS MAX.

Revisions table with columns for revision number, date, and description.

X-ON Electronics

Largest Supplier of Electrical and Electronic Components

Click to view similar products for [Modular Connectors / Ethernet Connectors](#) category:

Click to view products by [Bel Fuse](#) manufacturer:

Other Similar products are found below :

[RJE231881317T](#) [MP1010RX-1000](#) [MP44RX-1000](#) [GAX-3-66](#) [GAX-8-62](#) [93606-0253](#) [GD-A-44](#) [GDCX-PA-66-50](#) [GDCX-PN-64](#) [GDCX-PN-66](#) [GDCX-PN-66-50](#) [GDLX-A-66](#) [GDLX-A-88](#) [GDLX-N-66](#) [GDLX-S-88K](#) [GDTX-S-88-50](#) [GDX-PA-1010](#) [GLX-N-1010M-BLK](#) [GLX-N-44M](#) [GLX-S-88M-BLK](#) [GMX-N-1010](#) [GMX-S-1010](#) [GMX-S-66](#) [GMX-SMT2-N-1010](#) [GMX-SMT2-N-64-50](#) [GMX-SMT2-S6-88](#) [GMX-SMT4-N-88](#) [GPX-2-64](#) [GRT1-BT1-5](#) [GSGX-N-2-88](#) [GSX-NS2-88-3.05](#) [GSX-NS2-88-3.05-50](#) [GSX-NS-88-3.05-30](#) [GSX-NS-88-3.05-50](#) [GSX-NS-88-3.68](#) [1-1775629-2](#) [GWLX-S-88-GR](#) [GWLX-S9-88-YG](#) [1300500326](#) [1300500227](#) [1300530003](#) [1300570002](#) [1324640-4](#) [RJ11FTVC2G](#) [RJ11FTVC2N](#) [RJFTVX2SA1G](#) [132764-001](#) [1400000](#) [1413235](#) [MP88X-1000](#)