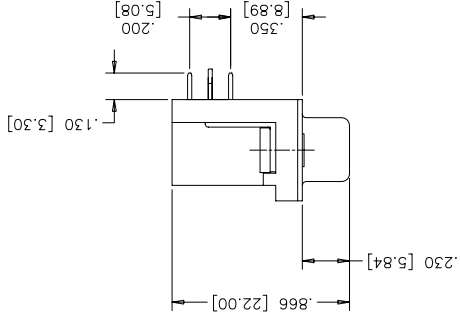
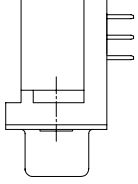


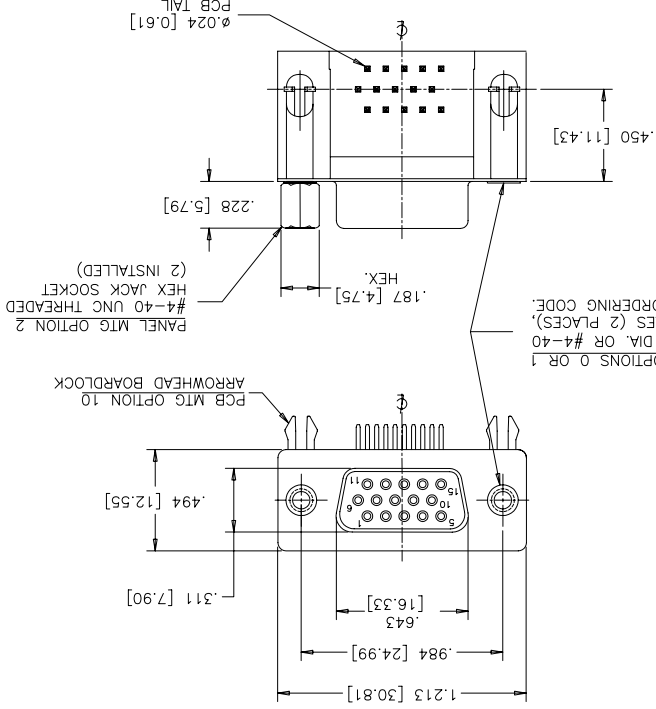
REVISIONS	
REV	ECN, ERN NO.
A	DATE
APPRD.	DEC12/06
	PRODUCT DRAWING (EAR 12992)
	DEC12/06
	K.L.



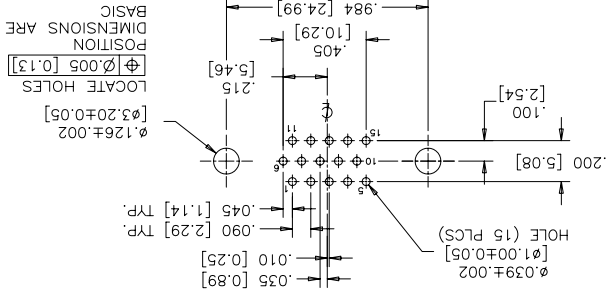
PANEL MTE OPTION 00  
CLEAR HOLE



PANEL MTE OPTIONS 0 OR 1  
THROUGH HOLES (2 PLACES),  
.120 [3.05] DIA. OR #4-40  
SEE ORDERING CODE:



RECOMMENDED P.C.B. LAYOUT  
(COMPONENT SIDE OF BOARD)



SPECIFICATIONS:

MATERIALS: ALL MATERIALS ARE ROHS COMPLIANT.

SHELLS: STEEL, TIN PLATED.

INSERTS: HIGH TEMPERATURE RESISTANT NYLON, GLASS REINFORCED, UL FLAMMABILITY RATING 94V-0, COLOUR: BLACK.

CONTACTS: COPPER ALLOY, GOLD PLATING (SEE ORDERING CODE) OVER 50µ" [1.27 MICRONS] NICKEL ON ENGAGEMENT AREA WITH 100µ" [2.54 MICRONS] MIN. MATTE TIN ON CONTACT TERMINALS.

BOARDLOCK: COPPER ALLOY, TIN PLATED.

THIS DOCUMENT CONTAINS PROPRIETARY INFORMATION AND SUCH INFORMATION MAY NOT BE DISCLOSED TO OTHERS FOR ANY PURPOSE OR USED FOR MANUFACTURING PURPOSES WITHOUT WRITTEN PERMISSION FROM AMPHENOL CANADA CORP.

ELECTRICAL DATA:  
CURRENT RATING: 3 AMP  
CONTACT RESISTANCE: 15 MILLIOHMS MAX.  
INSULATION RESISTANCE: 5000 MEGOHMS MIN.  
DIELECTRIC WITHSTANDING VOLTAGE: 1000 VAC rms  
OPERATING TEMPERATURE: -55°C TO +105°C

ORDERING CODE:  
PART NUMBER: 1 7 E B H - 0 1 5 S A M - 2 1 0  
SERIES  
NUMBER OF CONTACTS  
STYLE  
S SOCKET  
CONTACT PLATING OPTIONS  
FOR ENGAGEMENT AREA  
AA = 3µ" [0.08 MICRONS] GOLD FLASH  
CH = 15µ" [0.38 MICRONS] GOLD  
AM = 30µ" [0.76 MICRONS] GOLD

DATE	DEC12/06	DRAWN	J. LEE
DESIGNED		CHECKED	K. LAMBLE
L. E. APPRD.		ENG. REL. NO.	EAR 12992
Q. A. APPRD.		DWG. APPRD.	
DWG. NO.	C	DWG. NO.	P-17EBH-015SXX-XX0
SCALE	2/1	WT.	
SURF.			
SHEET	1 OF 1		

Amphenol Canada Corp.  
17EBH SERIES HIGH DENSITY D-SUB CONNECTOR, 15 SIZE SOCKET, RIGHT ANGLE PCB CONTACTS, PLATING & MOUNTING OPTIONS, ROHS COMPLIANT

## X-ON Electronics

Largest Supplier of Electrical and Electronic Components

*Click to view similar products for [D-Sub High Density Connectors](#) category:*

*Click to view products by [Amphenol](#) manufacturer:*

Other Similar products are found below :

[1484349-1](#) [163A16769X](#) [163A16809X](#) [163A17089X](#) [164A17199X](#) [164A17209X](#) [164A17479X](#) [164A18209X](#) [17BH-044S-AA110](#) [K86X-AD-26S](#) [KF66X-A26P-NJ](#) [KF66X-E15P-N](#) [241A17320X](#) [242A18390X](#) [242A25740X](#) [L717HDB44POL2R210](#) [L717HDCH62POL2RM5](#) [L717HDEH15POL2](#) [L777HDE15P](#) [L77HDC62S](#) [L77HDE15SC309](#) [163A16779X](#) [163A16839X](#) [163A17049X](#) [163A17079X](#) [164A17309X](#) [164A17329X](#) [164A18219X](#) [241A16440X](#) [241A16550X](#) [241A16680X](#) [241A17390X](#) [241A20810X](#) [241A25740X](#) [CT25-44P](#) [K66X-E15S-N30](#) [K86X-BA-44S](#) [K86X-ED-15S-BR15](#) [K86X-ED-15SK](#) [L177HDE15SOL2RM23](#) [L177HRC62S](#) [L177HRC62SVFM](#) [L177HRCG62S](#) [L717HDBH44POL2RM5](#) [L717HDEG15POL2RM5](#) [L77HDA26SVF](#) [L77HDE15SD1CO](#) [L77HDEH15SOL2RM832](#) [DAMA-15S-WS](#)  
[443895-3](#)