

PLEASE CHECK WWW.MOLEX.COM FOR LATEST PART INFORMATION

Part Number: **5601240131**
Status: **Active**
Overview: DuraClik™ Connector System
Description: DuraClik™ ISL Wire-to-Board Crimp Receptacle Terminal, Female, ASS 0.3 Square Wire, Gold

Documents:

[Drawing \(PDF\)](#) [Packaging Specification PK-560124-002 \(PDF\)](#)
[Application Specification AS-560123-001-001 \(PDF\)](#) [RoHS Certificate of Compliance \(PDF\)](#)

General

Product Family	Crimp Terminals
Series	<u>560124</u>
Application	Signal
Crimp Quality Equipment	Yes
Overview	<u>DuraClik™ Connector System</u>
Product Name	DuraClik™
UPC	889056303293

Physical

Gender	Female
Material - Metal	Copper Alloy
Material - Plating Mating	Gold
Material - Plating Termination	Tin
Net Weight	0.063/g
Packaging Type	Reel
Plating min - Mating	0.203µm
Plating min - Termination	0.610µm
Termination Interface: Style	Crimp or Compression
Wire Insulation Diameter	1.40mm
Wire Size AWG	22
Wire Size mm²	0.35

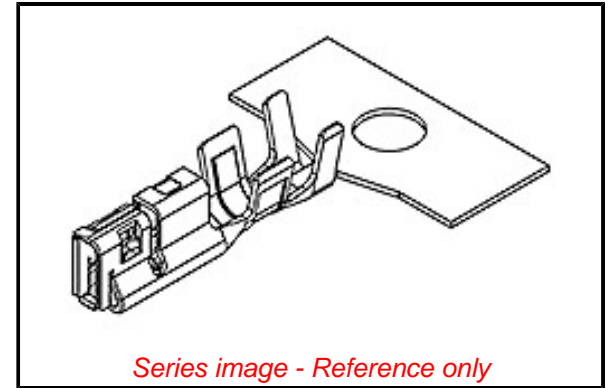
Electrical

Current - Maximum per Contact	3.0A
Voltage - Maximum	125V

Material Info

Reference - Drawing Numbers

Application Specification	AS-560123-001-001
Packaging Specification	PK-560124-002
Sales Drawing	SD-560124-002



Series image - Reference only

EU ELV

Compliant

EU RoHS

Compliant

REACH SVHC

Not Contained Per
-ED/01/2017 (12
January 2017)

Halogen-Free

Status

Low-Halogen

Need more information on product environmental compliance?

Email productcompliance@molex.com
Please visit the [Contact Us](#) section for any non-product compliance questions.

China ROHS	Not Relevant
ELV	Compliant
RoHS Phthalates	Not Contained

Search Parts in this Series

560124 Series

Use With

560123 DuraClik™ ISL Receptacle Housing

X-ON Electronics

Largest Supplier of Electrical and Electronic Components

Click to view similar products for [Terminals](#) category:

Click to view products by [Molex](#) manufacturer:

Other Similar products are found below :

[HT-13-10](#) [71M-250-32-NB](#) [01-2065-1-0216](#) [00581P0075](#) [M10-10RX](#) [M10BCK](#) [60205-1](#) [604200-1](#) [60598-1-CUT-TAPE](#) [60617-1-C](#) [60873-1](#) [M14-516R/SK](#) [M14-6RSX](#) [M18-10FLX](#) [M18-8FBX](#) [M18-8R/LX](#) [M18BCK](#) [61314-6-C](#) [61-S](#) [61-SN-A](#) [62149-1](#) [62-NBM-A](#) [63-S](#) [640179-1](#) [640917-2-CUT-TAPE](#) [6501550002](#) [66107-2-C](#) [696683-1](#) [696834-1](#) [696861-1](#) [696931-1](#) [696999-1](#) [M8-516RK](#) [M86700006](#) [MA250DMFMX-A](#) [701-2007](#) [701-2307](#) [701-7761-03](#) [70F-110-32-PB](#) [718-N-A](#) [71M-187-20-NBL](#) [71M-250-32-NBL](#) [72F-187-20-NBL](#) [72M-250-32-NBL](#) [7310](#) [73F-250-32](#) [73F-250-32-NBL](#) [73F-250-32-NL](#) [F14-10C](#) [F-1M](#)