

NOTES

1. MATERIAL

HOUSING	LIQUID CRYSTAL POLYMER GLASS FILLED,UL94V-0(BEIGE)	4. FITTING NAIL FOR PREVENTION OF PEELING OF P.C.B. PATTERN.
ACTUATOR	PPS GLASS FILLED, UL94V-0(BLACK)	5. R0.3 MUST NOT BE OVERLAPPED TO PATTERN OF FPC/FFC.
TERMINAL	PHOSPHOR BRONZE	6. N: CIRCUIT.
FITTING NAIL	PHOSPHOR BRONZE	7. ELV AND RoHS COMPLIANT
2. PLATING

TERMINAL	CONTACT AREA : SEPARATED GOLD PLATING (0.05 MICROMETER MINIMUM) SOLDER TAIL AREA : SEPARATED GOLD PLATING UNDERPLATE : NICKEL OVERALL (1.0 MICROMETER MINIMUM)	8. TAILS AND NAILS COPLANALITY TO BE 0.1mm MAX.
FITTING NAIL	TIN PLATING (1.0 MICROMETER MIN.) UNDER PLATING : NICKEL PLATING (1.0 MICROMETER MIN.)	
3. IN THE PACKAGE, ACTUATOR OF PART 104060-**10 SHOULD BE CLOSED.

40.55	43.1	39.5	44.7	104060-8010	104060-8017	80
30.55	33.1	29.5	34.7	104060-6010	104060-6017	60
D	C	B	A	MATERIAL NO.	EMBOSSED PACKAGE	CIRCUIT

CONNECTOR SERIES No. 104060-***10

REVISED EC NO: KOR2016-0118 DRWN:YRK/IM 2016/05/27 CHKD:SK/IM 2016/05/30 APPR:YSK/IM02 2016/05/31	DESCRIPTION REV	QUALITY SYMBOLS	GENERAL TOLERANCES (UNLESS SPECIFIED)	DIMENSION STYLE	SCALE	DESIGN UNITS	THIRD ANGLE PROJECTION					
				MM ONLY	1:1	METRIC						
				mm INCH	DRAWN BY DATE	TITLE 0.5 FFC E/O DUAL CONTACT HOUSING ASS'Y						
				<table border="0" style="width: 100%;"> <tr> <td style="width: 50%;">4 PLACES ± --- ± ---</td> <td style="width: 50%;">YR.KIM 2009/06/26</td> </tr> <tr> <td>3 PLACES ± --- ± ---</td> <td>CHECKED BY DATE</td> </tr> <tr> <td>2 PLACES ± --- ± ---</td> <td>YS00.KIM 2009/06/26</td> </tr> <tr> <td>1 PLACE ± 0.3 ± ---</td> <td>APPROVED BY DATE</td> </tr> <tr> <td></td> <td>YS00.KIM 2009/06/26</td> </tr> </table>	4 PLACES ± --- ± ---				YR.KIM 2009/06/26	3 PLACES ± --- ± ---	CHECKED BY DATE	2 PLACES ± --- ± ---
4 PLACES ± --- ± ---	YR.KIM 2009/06/26											
3 PLACES ± --- ± ---	CHECKED BY DATE											
2 PLACES ± --- ± ---	YS00.KIM 2009/06/26											
1 PLACE ± 0.3 ± ---	APPROVED BY DATE											
	YS00.KIM 2009/06/26											
			ANGULAR ± 1 °	MATERIAL NO.	MOLEX INCORPORATED							
			DRAFT WHERE APPLICABLE MUST REMAIN WITHIN DIMENSIONS	SIZE A3	DOCUMENT NO.	SHEET NO. SD-104060-001 1 OF 3						

10 9 8 7 6 5 4 3 2 1

F

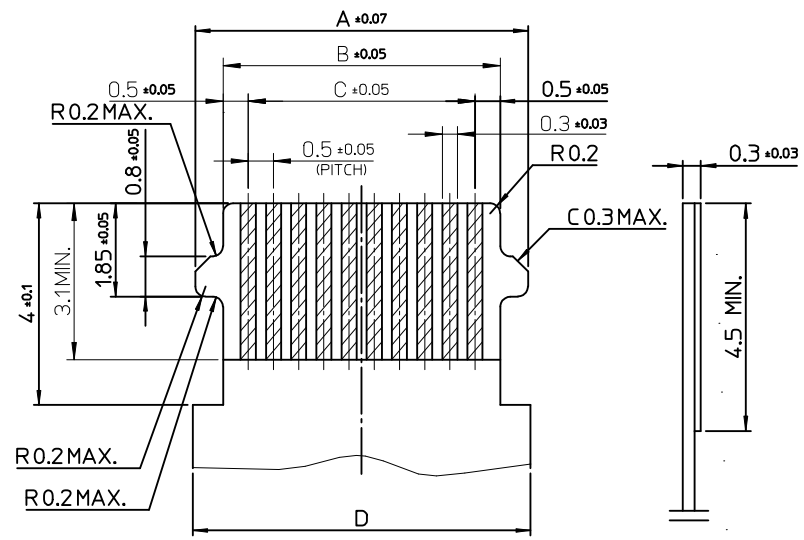
E

D

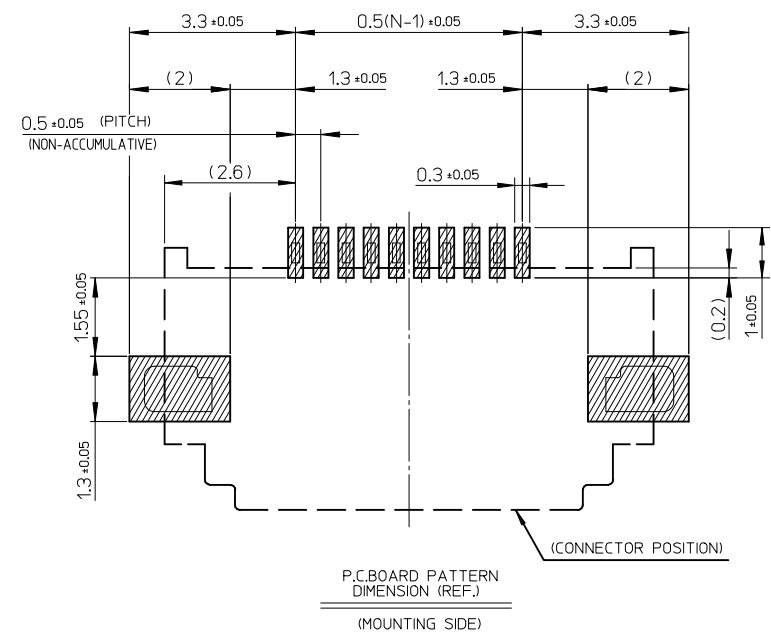
C

B

A



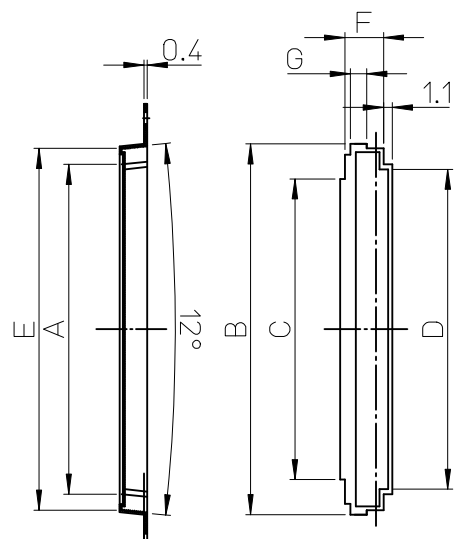
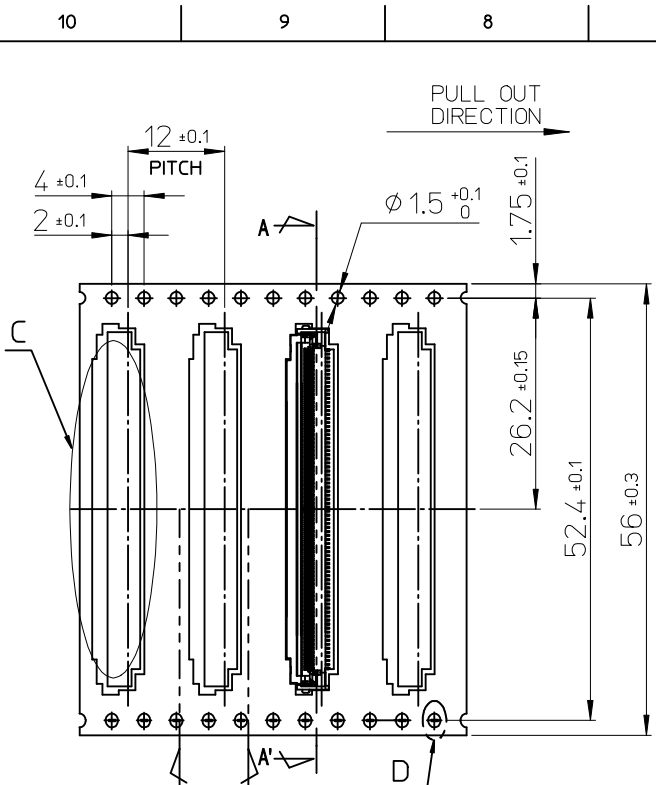
APPLICABLE FPC/FFC
RECOMMENDED DIMENSION



42.3	39.5	40.5	42.2	80
32.3	29.5	30.5	32.2	60
D	C	B	A	CIRCUIT

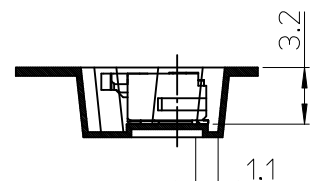
REVISED EC NO: KOR2016-0118 DRWN:YRKIM 2016/05/27 CHKD:KSKIM 2016/05/30 APPR:YSKIM02 2016/05/31	QUALITY SYMBOLS	GENERAL TOLERANCES (UNLESS SPECIFIED)	DIMENSION STYLE	SCALE	DESIGN UNITS	THIRD ANGLE PROJECTION																	
	$\nabla = 0$ $\nabla \square = 0$	<table border="1"> <tr> <td></td> <td>mm</td> <td>INCH</td> </tr> <tr> <td>4 PLACES</td> <td>$\pm \text{---}$</td> <td>$\pm \text{---}$</td> </tr> <tr> <td>3 PLACES</td> <td>$\pm \text{---}$</td> <td>$\pm \text{---}$</td> </tr> <tr> <td>2 PLACES</td> <td>$\pm \text{---}$</td> <td>$\pm \text{---}$</td> </tr> <tr> <td>1 PLACE</td> <td>± 0.3</td> <td>$\pm \text{---}$</td> </tr> </table>		mm	INCH	4 PLACES	$\pm \text{---}$	$\pm \text{---}$	3 PLACES	$\pm \text{---}$	$\pm \text{---}$	2 PLACES	$\pm \text{---}$	$\pm \text{---}$	1 PLACE	± 0.3	$\pm \text{---}$	MM ONLY	1:1	METRIC			
		mm	INCH																				
	4 PLACES	$\pm \text{---}$	$\pm \text{---}$																				
3 PLACES	$\pm \text{---}$	$\pm \text{---}$																					
2 PLACES	$\pm \text{---}$	$\pm \text{---}$																					
1 PLACE	± 0.3	$\pm \text{---}$																					
DESCRIPTION	ANGULAR $\pm 1^\circ$	<table border="1"> <tr> <td>DRAWN BY</td> <td>DATE</td> <td>TITLE</td> </tr> <tr> <td>YR.KIM</td> <td>2009/06/26</td> <td>0.5 FFC E/O DUAL CONTACT HOUSING ASS'Y</td> </tr> <tr> <td>CHECKED BY</td> <td>DATE</td> <td></td> </tr> <tr> <td>YS00.KIM</td> <td>2009/06/26</td> <td></td> </tr> <tr> <td>APPROVED BY</td> <td>DATE</td> <td></td> </tr> <tr> <td>YS00.KIM</td> <td>2009/06/26</td> <td></td> </tr> </table>	DRAWN BY	DATE	TITLE	YR.KIM	2009/06/26	0.5 FFC E/O DUAL CONTACT HOUSING ASS'Y	CHECKED BY	DATE		YS00.KIM	2009/06/26		APPROVED BY	DATE		YS00.KIM	2009/06/26		MOLEX INCORPORATED	DOCUMENT NO.	
DRAWN BY	DATE	TITLE																					
YR.KIM	2009/06/26	0.5 FFC E/O DUAL CONTACT HOUSING ASS'Y																					
CHECKED BY	DATE																						
YS00.KIM	2009/06/26																						
APPROVED BY	DATE																						
YS00.KIM	2009/06/26																						
REV	DRAFT WHERE APPLICABLE MUST REMAIN WITHIN DIMENSIONS	SEE TABLE	SIZE	THIS DRAWING CONTAINS INFORMATION THAT IS PROPRIETARY TO MOLEX INCORPORATED AND SHOULD NOT BE USED WITHOUT WRITTEN PERMISSION		SHEET NO.																	
B			A3			2 OF 3																	

9 8 7 6 5 4 3 2 1

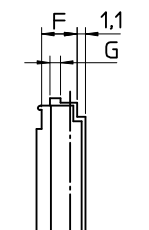


SECTION A-A'

DETAIL C



SECTION B-B'
(SCALE 2/1)

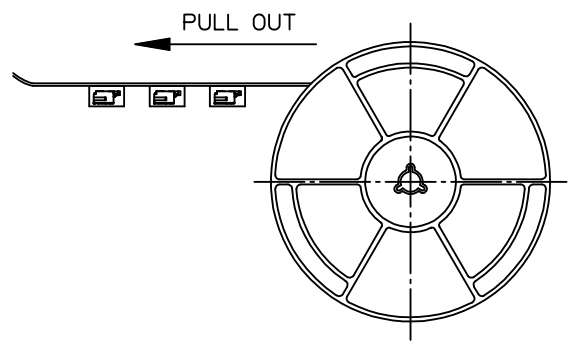


DETAIL D
(SCALE 2/1)

NOTES

1. NUMBER OF CONNECTORS : 2,400PCS/REEL
2. LEAD TAPE LENGTH
3. FOR DIMENSIONS OF PRODUCT, REFER TO SD-104060-001.
4. MATERIAL
 CARRIER TAPE : POLYETHYLENE TEREPHTHALATE
 TOP TAPE : POLYETHYLENE TEREPHTHALATE , POLYETHYLENE
 REEL : POLYSTYRENE<RECYCLE MATERIAL CONTAINED>
5. ELV AND RoHS COMPLIANT
6. PEELING OFF FORCE OF COVER TAPE : 0.1N~0.59N(10.2GF~60GF)
 (PEELING DIRECTION AS SHOW IN FOLLOW FIG.)
 PEELING OFF SPEED : 300mm/Min.(Ref.)

104060-6099



35902-0021	104060-8099	2.0	4.8	44.9	39.7	37.3	46	44.9	104060-8017	80
35902-0021	104060-6099	1.4	4.7	34.65	29.7	27.7	35.8	30.9	104060-6017	60
COVER TAPE	EMBOSS TAPE	G	F	E	D	C	B	A	MATERIAL NO.	CIRCUIT

REVISED EC NO: KOR2016-0118 DRWN:YRKIM 2016/05/27 CHKD:SKIM 2016/05/30 APPR:YSKIM02 2016/05/31	QUALITY SYMBOLS	GENERAL TOLERANCES (UNLESS SPECIFIED)	DIMENSION STYLE	SCALE	DESIGN UNITS	THIRD ANGLE PROJECTION
	$\nabla=0$ $\square=0$	mm INCH 4 PLACES ± --- ± --- 3 PLACES ± --- ± --- 2 PLACES ± --- ± --- 1 PLACE ± 0.3 ± --- ANGULAR ± 1°	MM ONLY	10:1	METRIC	
	DESCRIPTION	DRAFT WHERE APPLICABLE MUST REMAIN WITHIN DIMENSIONS	DRAWN BY DATE YR.KIM 2009/06/26 CHECKED BY DATE YS00.KIM 2009/06/26 APPROVED BY DATE YS00.KIM 2009/06/26	TITLE	MOLEX INCORPORATED	
	REV		SEE TABLE	MATERIAL NO.	DOCUMENT NO.	SHEET NO.

0.5 FFC E/O DUAL CONTACT HOUSING ASS'Y



MOLEX INCORPORATED

SD-104060-001

3 OF 3

THIS DRAWING CONTAINS INFORMATION THAT IS PROPRIETARY TO MOLEX INCORPORATED AND SHOULD NOT BE USED WITHOUT WRITTEN PERMISSION

X-ON Electronics

Largest Supplier of Electrical and Electronic Components

Click to view similar products for [FFC & FPC Connectors](#) category:

Click to view products by [Molex](#) manufacturer:

Other Similar products are found below :

[HFW11R-1STE1H1LF](#) [FH29B-100S-0.2SHW\(99\)](#) [FA5S008HP1](#) [FH29B-120S-0.2SHW\(99\)](#) [FH29B-80S-0.2SHW\(99\)](#) [FHS-16](#) [FPH-2022G](#)
[52610-1075](#) [52610-1275](#) [52610-1934](#) [XF3M\(1\)-1415-1B-R100](#) [501864-3091-TR225](#) [0525594033](#) [086210010340800](#) [086222026001800](#)
[52271-2869-CUT-TAPE](#) [62674-201121DLF](#) [62684-36210E9ALF](#) [52610-1675](#) [52746-1671-TR250](#) [10051922-2810EHLF](#) [6-520415-9](#)
[BD021-09A-A1-0350-0200-0550-LD](#) [SFV6R-1STE9HLF](#) [XF3M-2915-1B-R100](#) [1658549-1](#) [62674-221121ALF](#) [46214008010800](#)
[046298003000883](#) [151660622](#) [842-816-2630-035](#) [AYF530665TA](#) [AYF351525](#) [046296011930846+](#) [AYF352325A](#) [046254020000800+](#)
[FH19C-13S-0.5SH\(99\)](#) [FH39J-51S-0.3SHW\(99\)](#) [AYF355125A](#) [AYF530365TA](#) [FH29B-44S-0.2SHW\(99\)](#) [SFW5R-2STAE9LF](#) [AYF351125A](#)
[AYF350725A](#) [62684-502100AHLF](#) [FH39-61S-0.3SHW\(99\)](#) [AYF414035A](#) [10064555-172520HLF](#) [AYF212335A](#) [504754-2500](#)