

NOTES

1. MATERIAL

HOUSING	LIQUID CRYSTAL POLYMER GLASS FILLED,UL94V-0(BEIGE)
ACTUATOR	PPS GLASS FILLED, UL94V-0(BLACK) (t=0.15)
TERMINAL	PHOSPHOR BRONZE (t=0.15)
FITTING NAIL	PHOSPHOR BRONZE
2. PLATING

TERMINAL	CONTACT AREA : SEPARATED GOLD PLATING (0.05 MICROMETER MINIMUM) SOLDER TAIL AREA : SEPARATED GOLD PLATING UNDERPLATE : NICKEL OVERALL (1.0 MICROMETER MINIMUM)
FITTING NAIL	TIN PLATING (1.0 MICROMETER MIN.) UNDER PLATING : NICKEL PLATING (1.0 MICROMETER MIN.)
3. IN THE PACKAGE, ACTUATOR OF PART 104060-**10 SHOULD BE CLOSED.
4. FITTING NAIL FOR PREVENTION OF PEELING OF P.C.B. PATTERN.
5. R0.3 MUST NOT BE OVERLAPPED TO PATTERN OF FPC/FFC.
6. N: CIRCUIT.
7. ELV AND RoHS COMPLIANT
8. TAILS AND NAILS COPLANALITY TO BE 0.1mm MAX.

40.55	43.1	39.5	44.7	104060-8010	104060-8017	80
30.55	33.1	29.5	34.7	104060-6010	104060-6017	60
D	C	B	A	MATERIAL NO.	EMBOSSED PACKAGE	CIRCUIT

CONNECTOR SERIES No. 104060-***10

REVISED EC NO: KOR2016-0118 DRWN:YRK/IM 2016/05/27 CHKD:SK/IM 2016/05/30 APPR:YSK/IM02 2016/05/31	DESCRIPTION QUALITY SYMBOLS ▽=0 ◻=0	GENERAL TOLERANCES (UNLESS SPECIFIED)		DIMENSION STYLE MM ONLY		SCALE 1:1	DESIGN UNITS METRIC	THIRD ANGLE PROJECTION		
			mm	INCH	DRAWN BY YR.KIM	DATE 2009/06/26	TITLE 0.5 FFC E/O DUAL CONTACT HOUSING ASS'Y			
		4 PLACES	± ---	± ---	CHECKED BY YS00.KIM	DATE 2009/06/26	MOLEX INCORPORATED DOCUMENT NO. SD-104060-001 SHEET NO. 1 OF 3			
		3 PLACES	± ---	± ---	APPROVED BY YS00.KIM	DATE 2009/06/26				
2 PLACES	± ---	± ---	ANGULAR ± 1 °		DRAFT WHERE APPLICABLE MUST REMAIN WITHIN DIMENSIONS					
1 PLACE	± 0.3	± ---	SIZE A3		THIS DRAWING CONTAINS INFORMATION THAT IS PROPRIETARY TO MOLEX INCORPORATED AND SHOULD NOT BE USED WITHOUT WRITTEN PERMISSION					

10 9 8 7 6 5 4 3 2 1

F

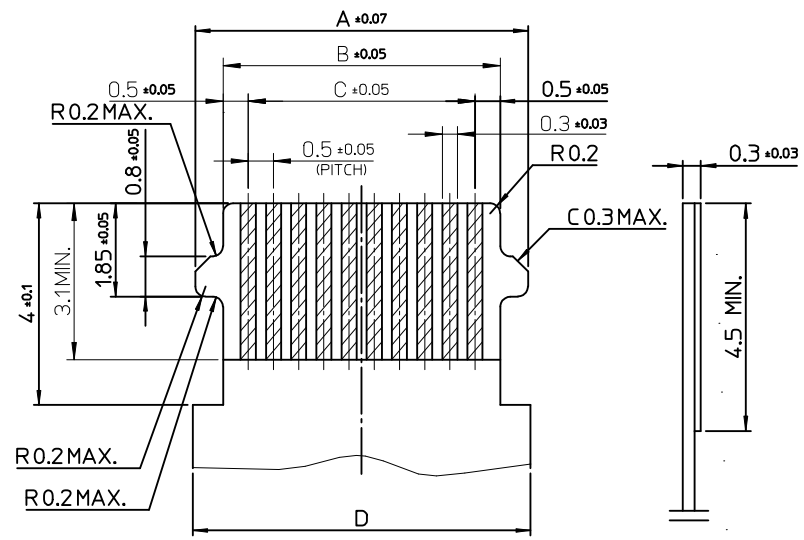
E

D

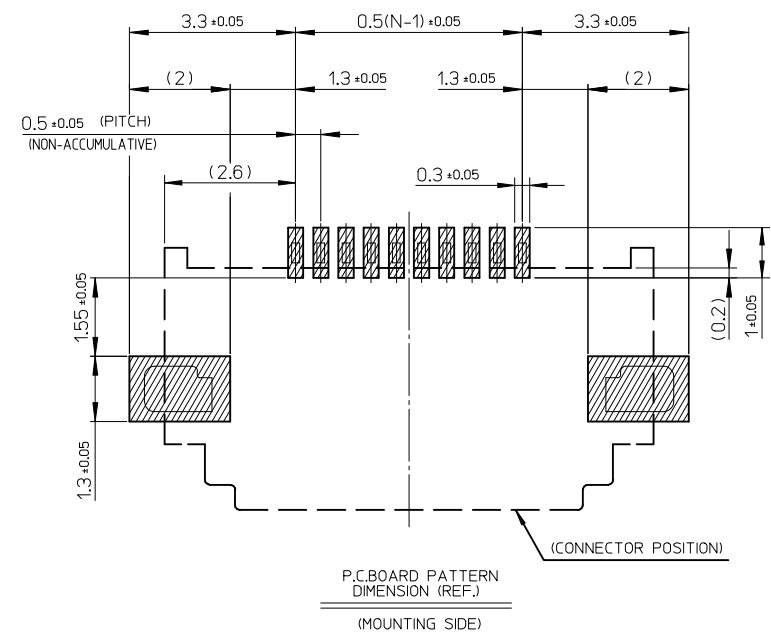
C

B

A



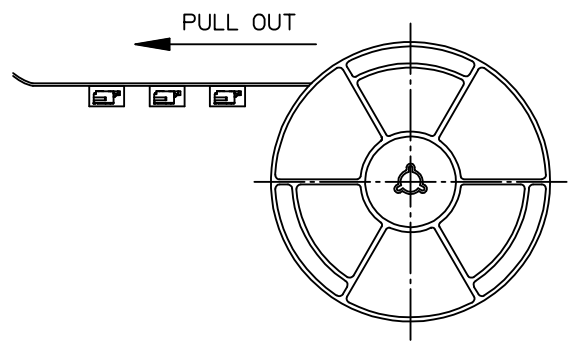
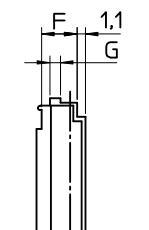
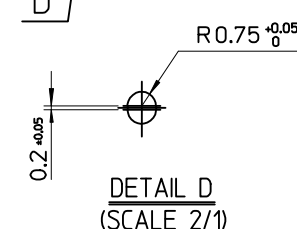
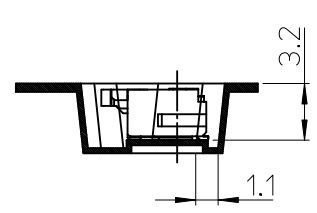
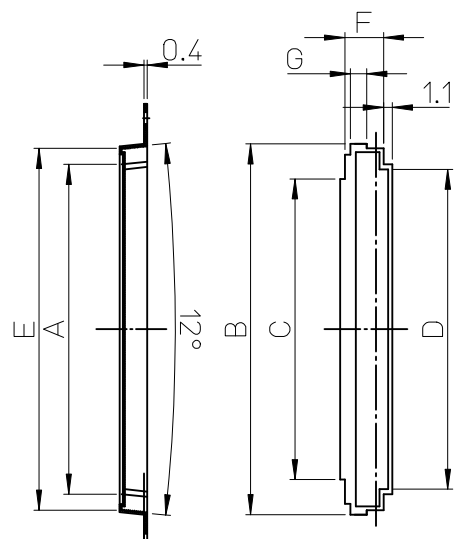
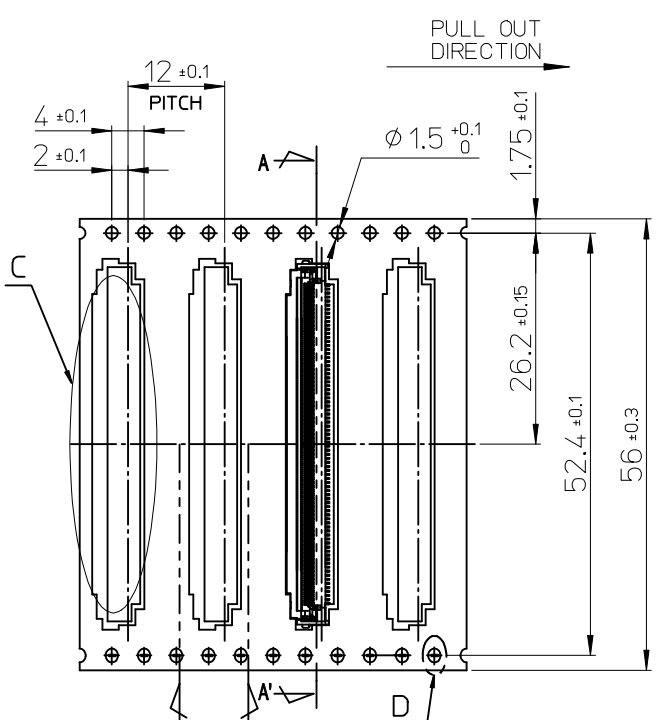
APPLICABLE FPC/FFC
RECOMMENDED DIMENSION



42.3	39.5	40.5	42.2	80
32.3	29.5	30.5	32.2	60
D	C	B	A	CIRCUIT

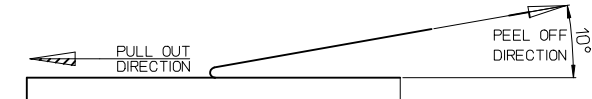
REVISED EC NO: KOR2016-0118 DRWN:YRKIM 2016/05/27 CHKD:KSKIM 2016/05/30 APPR:YSKIM02 2016/05/31	QUALITY SYMBOLS	GENERAL TOLERANCES (UNLESS SPECIFIED)	DIMENSION STYLE	SCALE	DESIGN UNITS	THIRD ANGLE PROJECTION															
	$\nabla = 0$ $\square = 0$	<table border="1"> <tr> <td></td> <td>mm</td> <td>INCH</td> </tr> <tr> <td>4 PLACES</td> <td>\pm ---</td> <td>\pm ---</td> </tr> <tr> <td>3 PLACES</td> <td>\pm ---</td> <td>\pm ---</td> </tr> <tr> <td>2 PLACES</td> <td>\pm ---</td> <td>\pm ---</td> </tr> <tr> <td>1 PLACE</td> <td>± 0.3</td> <td>\pm ---</td> </tr> </table>		mm	INCH	4 PLACES	\pm ---	\pm ---	3 PLACES	\pm ---	\pm ---	2 PLACES	\pm ---	\pm ---	1 PLACE	± 0.3	\pm ---	MM ONLY	1:1	METRIC	
		mm	INCH																		
	4 PLACES	\pm ---	\pm ---																		
3 PLACES	\pm ---	\pm ---																			
2 PLACES	\pm ---	\pm ---																			
1 PLACE	± 0.3	\pm ---																			
DESCRIPTION	ANGULAR $\pm 1^\circ$ DRAFT WHERE APPLICABLE MUST REMAIN WITHIN DIMENSIONS	DRAWN BY: YR.KIM CHECKED BY: YS00.KIM APPROVED BY: YS00.KIM MATERIAL NO.	DATE: 2009/06/26 DATE: 2009/06/26 DATE: 2009/06/26	TITLE: 0.5 FFC E/O DUAL CONTACT HOUSING ASS'Y MOLEX INCORPORATED DOCUMENT NO. SD-104060-001																	
REV	SIZE	THIS DRAWING CONTAINS INFORMATION THAT IS PROPRIETARY TO MOLEX INCORPORATED AND SHOULD NOT BE USED WITHOUT WRITTEN PERMISSION																			

9 8 7 6 5 4 3 2 1



NOTES

1. NUMBER OF CONNECTORS : 2,400PCS/REEL
2. LEAD TAPE LENGTH
 - 4.5 ±10
 - 10~20PCS MIN. (NUMBER OF EMPTY PART)
 - TOP TAPE LEADER PART 400 MIN.
 - COMPONENT SUPPLIER
 - TAIL PART(EMPTY) 20~30 PCS
3. FOR DIMENSIONS OF PRODUCT, REFER TO SD-104060-001.
4. MATERIAL
 - CARRIER TAPE : POLYETHYLENE TEREPHTHALATE
 - TOP TAPE : POLYETHYLENE TEREPHTHALATE , POLYETHYLENE
 - REEL : POLYSTYRENE<RECYCLE MATERIAL CONTAINED>
5. ELV AND RoHS COMPLIANT
6. PEELING OFF FORCE OF COVER TAPE : 0.1N~0.59N(10.2GF~60GF)
(PEELING DIRECTION AS SHOW IN FOLLOW FIG.)
PEELING OFF SPEED : 300mm/Min.(Ref.)



35902-0021	104060-8099	2.0	4.8	44.9	39.7	37.3	46	44.9	104060-8017	80
35902-0021	104060-6099	1.4	4.7	34.65	29.7	27.7	35.8	30.9	104060-6017	60
COVER TAPE	EMBOSS TAPE	G	F	E	D	C	B	A	MATERIAL NO.	CIRCUIT

REVISED EC NO: KOR2016-0118 DRWN:YRKIM 2016/05/27 CHKD:KSKIM 2016/05/30 APPR:YSKIM02 2016/05/31	QUALITY SYMBOLS	GENERAL TOLERANCES (UNLESS SPECIFIED)	DIMENSION STYLE	SCALE	DESIGN UNITS	THIRD ANGLE PROJECTION
	▽=0	mm INCH	MM ONLY	10:1	METRIC	☉ □
	◻=0	4 PLACES ± --- ± ---	DRAWN BY	DATE	TITLE	
		3 PLACES ± --- ± ---	YR.KIM	2009/06/26	0.5 FFC E/O DUAL CONTACT HOUSING ASS'Y	
	2 PLACES ± --- ± ---	CHECKED BY	DATE	MOLEX INCORPORATED		
	1 PLACE ± 0.3 ± ---	YS00.KIM	2009/06/26	SD-104060-001		
	ANGULAR ± 1°	APPROVED BY	DATE	DOCUMENT NO.		
		YS00.KIM	2009/06/26	SHEET NO.		
		MATERIAL NO.		3 OF 3		
		DRAFT WHERE APPLICABLE MUST REMAIN WITHIN DIMENSIONS	SEE TABLE			
			SIZE A3	THIS DRAWING CONTAINS INFORMATION THAT IS PROPRIETARY TO MOLEX INCORPORATED AND SHOULD NOT BE USED WITHOUT WRITTEN PERMISSION		

X-ON Electronics

Largest Supplier of Electrical and Electronic Components

Click to view similar products for [FFC & FPC Connectors](#) category:

Click to view products by [Molex](#) manufacturer:

Other Similar products are found below :

[HFW11R-1STE1H1LF](#) [FH29B-100S-0.2SHW\(99\)](#) [FA5S008HP1](#) [FH29B-120S-0.2SHW\(99\)](#) [FH29B-80S-0.2SHW\(99\)](#) [FHS-16](#) [FPH-2022G](#)
[52610-1075](#) [52610-1275](#) [52610-1934](#) [XF3M\(1\)-1415-1B-R100](#) [501864-3091-TR225](#) [0525594033](#) [086210010340800](#) [086222026001800](#)
[52271-2869-CUT-TAPE](#) [62674-201121DLF](#) [62684-36210E9ALF](#) [52610-1675](#) [52746-1671-TR250](#) [10051922-2810EHLF](#) [6-520415-9](#)
[BD021-09A-A1-0350-0200-0550-LD](#) [SFV6R-1STE9HLF](#) [XF3M-2915-1B-R100](#) [1658549-1](#) [62674-221121ALF](#) [46214008010800](#)
[046298003000883](#) [151660622](#) [842-816-2630-035](#) [AYF530665TA](#) [AYF351525](#) [046296011930846+](#) [AYF352325A](#) [046254020000800+](#)
[FH19C-13S-0.5SH\(99\)](#) [FH39J-51S-0.3SHW\(99\)](#) [AYF355125A](#) [AYF530365TA](#) [FH29B-44S-0.2SHW\(99\)](#) [SFW5R-2STAE9LF](#) [AYF351125A](#)
[AYF350725A](#) [62684-502100AHLF](#) [FH39-61S-0.3SHW\(99\)](#) [AYF414035A](#) [10064555-172520HLF](#) [AYF212335A](#) [504754-2500](#)