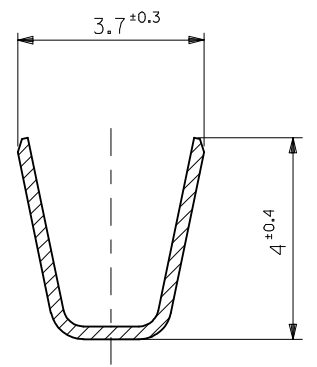
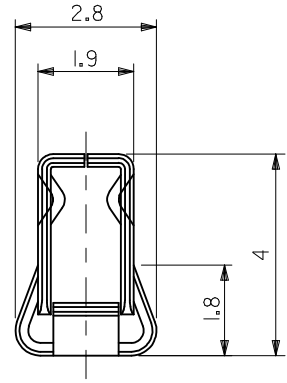


SECT.A-A



SECT.B-B

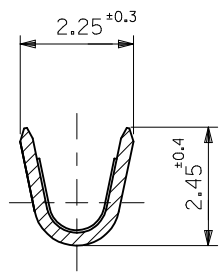
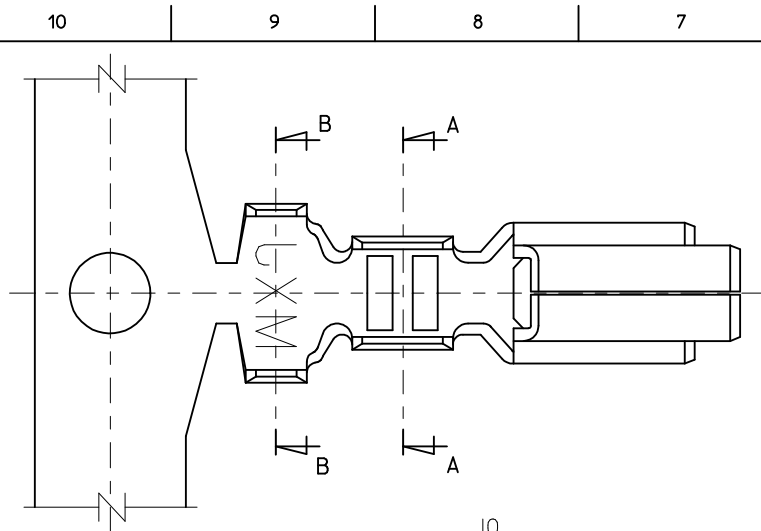


注記 NOTES

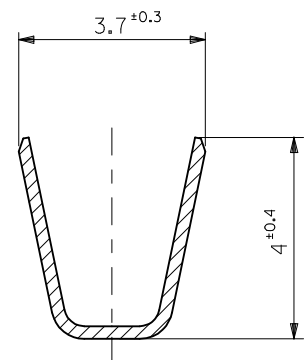
1. 適合ハウジング：51144-\*\*\*00  
 APPLICABLE HOUSING : 51144-\*\*\*00

リン青銅，錫メッキ PHOS. BRO. PRE-TINNED (t=0.254)	50539-8100	バラ状 LOOSE
	50539-8000	連鎖状 CHAIN
黄銅，錫メッキ BRASS PRE-TINNED (t=0.254)	50539-9001	連鎖状 CHAIN
材 料 MATERIAL	MATERIAL NO.	端子形状 FORM
MODEL NO. 50539-****		

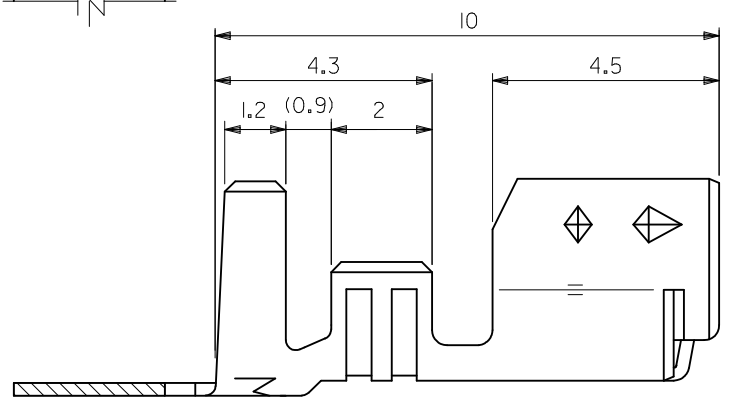
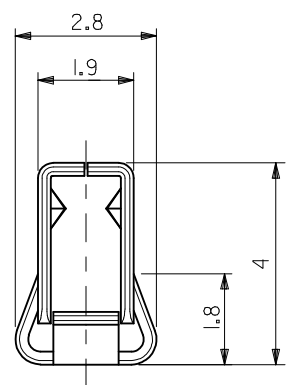
REVISED EC NO: J2009-1311 DRWN: KAKURAA 2008/12/16 CHKD: T. HARUYAMA 2008/12/16 APPR: NUKITA 2009/01/16	GENERAL TOLERANCES (UNLESS SPECIFIED)		DIMENSION STYLE MM ONLY		SCALE ---	DESIGN UNITS METRIC	THIRD ANGLE PROJECTION	
	10 UNDER	± 0.2	DRAWN BY TNIITSU	DATE '94/11/7	TITLE 3.96 WIRE TO BOARD CONN CRIMP RECEPTACLE			
	10 OVER 30 UNDER	± 0.25	CHECKED BY SKUNISHI	DATE '95/07/28	APPROVED BY MFUKUSHIMA '95/07/28			
	30 OVER	± 0.3	MATERIAL NO. SEE TABLE		DOCUMENT NO. SD-50539-001		SHEET NO. 1 OF 1	
ANGULAR ± 3 °		DRAFT WHERE APPLICABLE MUST REMAIN WITHIN DIMENSIONS		THIS DRAWING CONTAINS INFORMATION THAT IS PROPRIETARY TO MOLEX INCORPORATED AND SHOULD NOT BE USED WITHOUT WRITTEN PERMISSION				



SECT.A-A



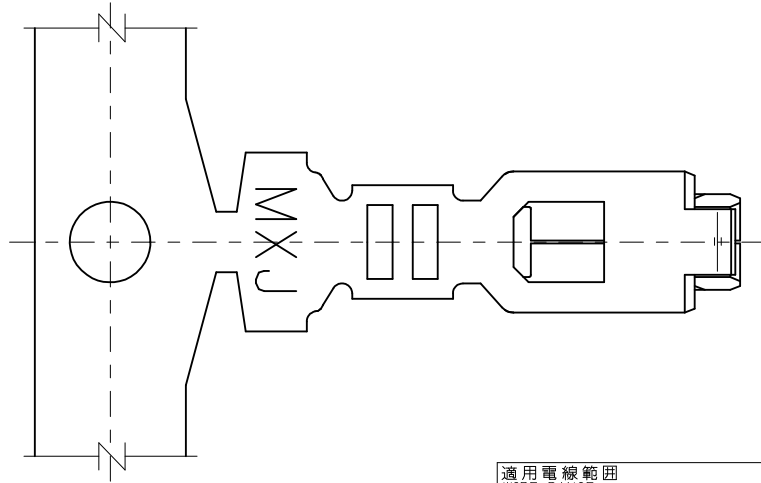
SECT.B-B



注記 NOTES

1. 適合ハウジング : 51129-\*\*\*00  
 51144-\*\*\*00  
 APPLICABLE HOUSING : 51129-\*\*\*00  
 51144-\*\*\*00

リン青銅, 錫メッキ PHOS. BRO. PRE-TINNED (t=0.254)	50539-8100	バラ状 LOOSE
	50539-8000	連鎖状 CHAIN
黄銅, 錫メッキ BRASS PRE-TINNED (t=0.254)	50539-9001	連鎖状 CHAIN
材 料 MATERIAL	MATERIAL NO.	端子形状 FORM
	MODEL NO.	50539-****



適用電線範囲  
 WIRE RANGE AWG#18 ~ #24  
 被覆外径  
 INS. RANGE φ 1.4 ~ φ 3.0

REVISED EC NO: J2009-1311 DRWN:NAKAMURA 2008/12/16 CHKD:T. HARUYAMA 2008/12/16 APPR:NUKITA 2009/01/16	GENERAL TOLERANCES (UNLESS SPECIFIED)		DIMENSION STYLE MM ONLY	SCALE ---	DESIGN UNITS METRIC	THIRD ANGLE PROJECTION
	10 UNDER	±0.2	DRAWN BY T.NIITSU	DATE '94/11/17	TITLE 3.96 W/B CONN CRIMP REC	
	10 OVER 30 UNDER	±0.25	CHECKED BY K.T	DATE '95/7/28	APPROVED BY S.FUKUSHIMA	
	30 OVER	±0.30	DATE '95/7/28	MATERIAL NO. SEE TABLE		DOCUMENT NO. SD-50539-002
	ANGULAR ±3 °	DRAFT WHERE APPLICABLE MUST REMAIN WITHIN DIMENSIONS	SIZE A3	THIS DRAWING CONTAINS INFORMATION THAT IS PROPRIETARY TO MOLEX INCORPORATED AND SHOULD NOT BE USED WITHOUT WRITTEN PERMISSION		

## X-ON Electronics

Largest Supplier of Electrical and Electronic Components

*Click to view similar products for [Terminals](#) category:*

*Click to view products by [Molex](#) manufacturer:*

Other Similar products are found below :

[HT-13-10](#) [71M-250-32-NB](#) [01-2065-1-0216](#) [00581P0075](#) [M10-10RX](#) [M10BCK](#) [60205-1](#) [604200-1](#) [60598-1-CUT-TAPE](#) [60617-1-C](#) [60873-1](#) [M14-516R/SK](#) [M14-6RSX](#) [M18-10FLX](#) [M18-8FBX](#) [M18-8R/LX](#) [M18BCK](#) [61314-6-C](#) [61-S](#) [61-SN-A](#) [62149-1](#) [62-NBM-A](#) [63-S](#) [640179-1](#) [640917-2-CUT-TAPE](#) [6501550002](#) [66107-2-C](#) [696683-1](#) [696834-1](#) [696861-1](#) [696931-1](#) [696999-1](#) [M8-516RK](#) [M86700006](#) [MA250DMFMX-A](#) [701-2007](#) [701-2307](#) [701-7761-03](#) [70F-110-32-PB](#) [718-N-A](#) [71M-187-20-NBL](#) [71M-250-32-NBL](#) [72F-187-20-NBL](#) [72M-250-32-NBL](#) [7310](#) [73F-250-32](#) [73F-250-32-NBL](#) [73F-250-32-NL](#) [F14-10C](#) [F-1M](#)