



**RAYSTAR**



**SPECIFICATION**

# OLED SPECIFICATION

Model No:

REC001602DBPP5N00000

## CUSTOMER:

|             |  |
|-------------|--|
| APPROVED BY |  |
| PCB VERSION |  |
| DATE        |  |

FOR CUSTOMER USE ONLY

| SALES BY | APPROVED BY | CHECKED BY | PREPARED BY |
|----------|-------------|------------|-------------|
|          |             |            |             |

Release DATE:

## Contents

| No. | Item                          | Page |
|-----|-------------------------------|------|
| 1.  | Revision History              | 4    |
| 2.  | General Specification         | 4    |
| 3.  | Module Coding System          | 5    |
| 4.  | Interface Pin Function        | 6    |
| 5.  | Outline Dimension             | 7    |
| 6.  | Absolute Maximum Ratings      | 9    |
| 7.  | Electrical Characteristics    | 9    |
| 8.  | Optical Characteristics       | 10   |
| 9.  | OLED Lifetime                 | 11   |
| 10. | Reliability                   | 12   |
| 11. | Inspection specification      | 14   |
| 12. | Precautions in use of Modules | 20   |

## 1. Revision History

| DATE       | VERSION | REVISED PAGE NO. | Note                   |
|------------|---------|------------------|------------------------|
| 2011/04/01 | 1       |                  | First release          |
| 2011/7/2   | 2       |                  | Change version         |
| 2012/08/27 | 3       | 9                | Modify CIE             |
|            |         | 7                | Correct count drawing. |
|            |         | 18               | Modify picture         |
| 2014/1/27  | 4       |                  | Update Rev.            |

## 2. General Specification

The Features is described as follow:

- Module dimension: 85.0 x 30.0 x 10.0(MAX) mm
- View area: 66.0 x 16.0 mm
- Active area: 56.95 x 11.85 mm
- Number of Characters: 16 Characters x 2 Line
- Dot size: 0.55 x 0.65 mm
- Dot pitch: 0.60x 0.70 mm
- Character size: 2.95 x 5.55 mm
- Character pitch: 3.6 x 6.3 mm
- Duty: 1/16
- Emitting Color: OLED , Blue

### 3. Module Coding System

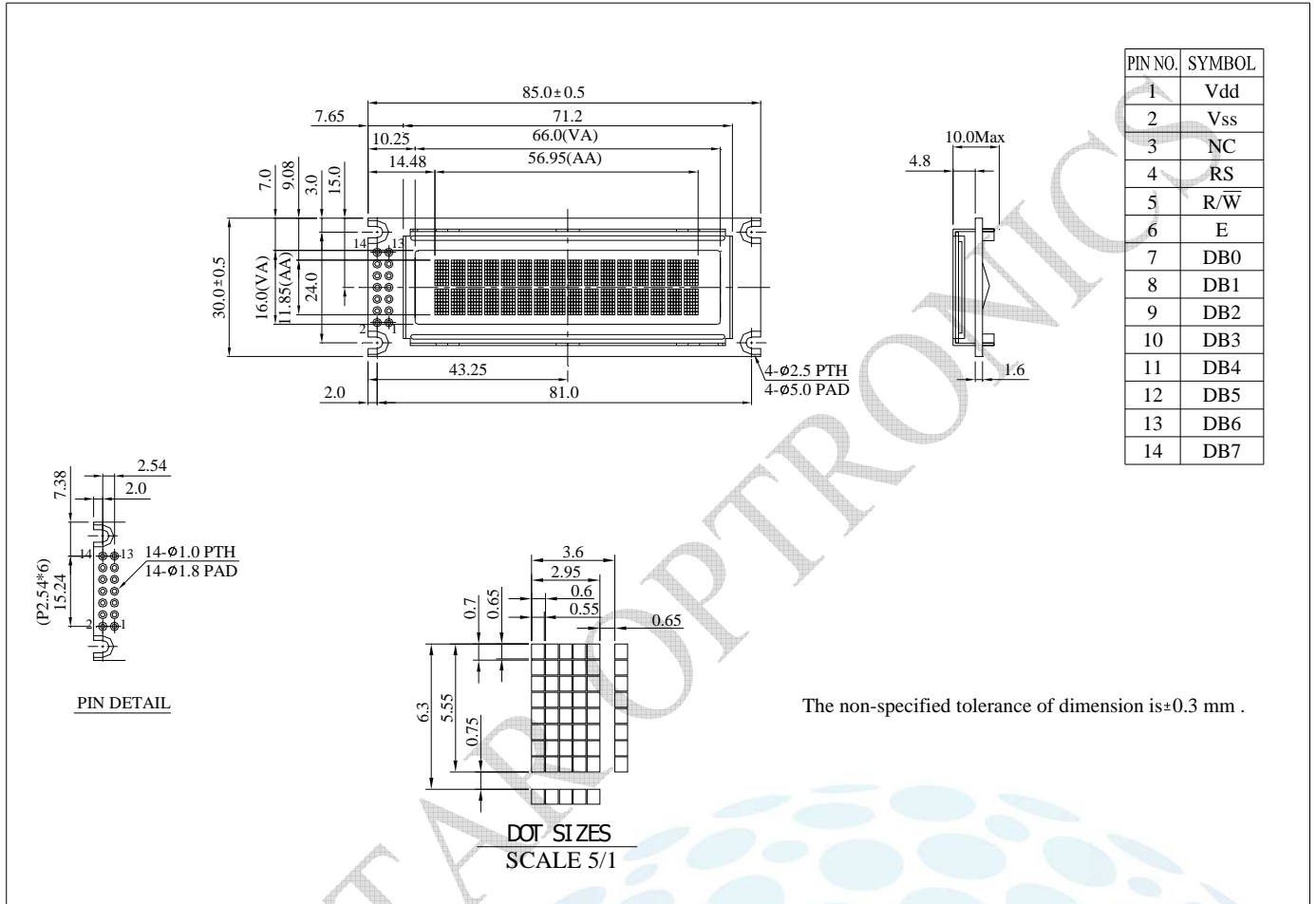
|   |   |   |        |   |   |   |   |   |    |    |    |     |
|---|---|---|--------|---|---|---|---|---|----|----|----|-----|
| 1 | 2 | 3 | 4      | 5 | 6 | 7 | 8 | 9 | 10 | 11 | 12 | 13  |
| R | E | C | 001602 | D | B | P | P | 5 | N  | 0  | 0  | 000 |

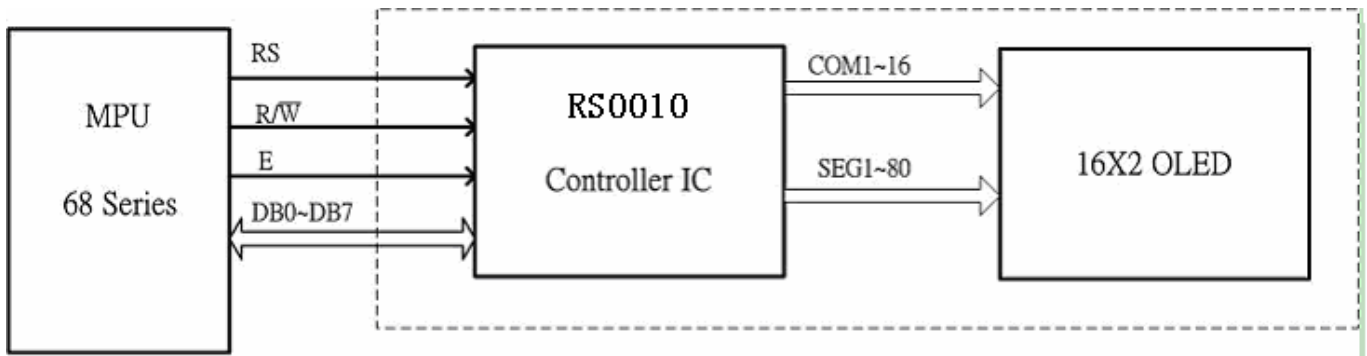
| Item | Description   |  |
|------|---|--|
| 1    | R : Raystar Optronics Inc.  |  |
| 2    | E : OLED  |  |
| 3    | Display Type: <b>C</b> → <b>Character Type</b> , <b>G</b> →Graphic Type |  |
| 4    | Number of Characters : <b>16 Characters, 2Lines.</b>                    |  |
| 5    | Serials code  |  |
| 6    | Emitting Color  | A : Amber  |
|      |   | <b>B : Blue</b>  |
|      |   | G : Green  |
| 7    | Polarizer   | R : RED  |
|      |   | Y : Yellow   |
|      |   | W : White  |
| 8    | Display Mode  | <b>P : Passive Matrix</b> ; A: Active Matrix                                 |
| 9    | Driver Voltage  | 3: 3.0 V; <b>5: 5.0V</b>   |
| 10   | Touch Panel   | <b>N : Without touch panel</b> ; T: With touch panel                         |
| 11   | Species   | <b>0:Normal</b> , 1:Sunlight readable, 2:Transparent, 3:Flexible, 4:Lighting |
| 12   | Grade code  |  |
| 13   | Serial No.  | 000: Sales code  |

## 4. Interface Pin Function

| Pin No. | Symbol | Level | Description                                       |
|---------|--------|-------|---|
| 1       | VDD    | 5.0V  | Supply Voltage for logic                          |
| 2       | VSS    | 0V    | Ground  |
| 3       | NC     | —     |   |
| 4       | RS     | H/L   | H: DATA, L: Instruction code                      |
| 5       | R/W    | H/L   | H: Read (Module --> MPU) L: Write(MPU --> Module) |
| 6       | E      | H,H→L | Chip enable signal                                |
| 7       | DB0    | H/L   | Data bit 0  |
| 8       | DB1    | H/L   | Data bit 1  |
| 9       | DB2    | H/L   | Data bit 2  |
| 10      | DB3    | H/L   | Data bit 3  |
| 11      | DB4    | H/L   | Data bit 4  |
| 12      | DB5    | H/L   | Data bit 5  |
| 13      | DB6    | H/L   | Data bit 6  |
| 14      | DB7    | H/L   | Data bit 7  |

## 5. Outline Dimension





| Address Format         | DB7 | DB6  | DB5  | DB4  | DB3  | DB2  | DB1  | DB0  |
|------------------------|-----|------|------|------|------|------|------|------|
| CA (Character Address) | 1   | ADD6 | ADD5 | ADD4 | ADD3 | ADD2 | ADD1 | ADD0 |

| 1          | 2          | 3          | 4          | ..... | ..... | 13         | 14         | 15         | 16         |
|------------|------------|------------|------------|-------|-------|------------|------------|------------|------------|
| CA10000000 | CA10000001 | CA10000010 | CA10000011 | ..... | ..... | CA10001100 | CA10001101 | CA10001110 | CA10001111 |
| CA11000000 | CA11000001 | CA11000010 | CA11000011 | ..... | ..... | CA11001100 | CA11001101 | CA11001110 | CA11001111 |

RAYSTAR



## 6. Absolute Maximum Ratings

| Item                     | Symbol              | Min  | Max | Unit | Notes |
|--------------------------|---------------------|------|-----|------|-------|
| Operating Temperature    | $T_{OP}$            | -40  | +80 | °C   |       |
| Storage Temperature      | $T_{ST}$            | -40  | +80 | °C   |       |
| Supply Voltage For Logic | VDD-V <sub>SS</sub> | -0.3 | 5.3 | V    |       |

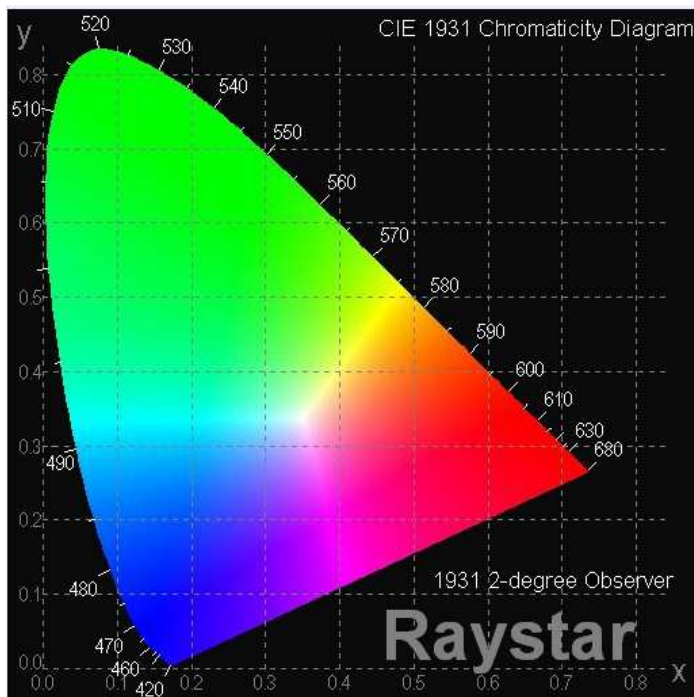
## 7. Electrical Characteristics

| Item                              | Symbol              | Condition               | Min        | Typ | Max     | Unit |
|-----------------------------------|---------------------|-------------------------|------------|-----|---------|------|
| Supply Voltage For Logic          | VDD-V <sub>SS</sub> | —                       | 4.8        | 5.0 | 5.3     | V    |
| Input High Volt.                  | V <sub>IH</sub>     | —                       | 0.9<br>VDD | —   | VDD     | V    |
| Input Low Volt.                   | V <sub>IL</sub>     | —                       | GND        | —   | 0.1VDD  | V    |
| Output High Volt.                 | V <sub>OH</sub>     | I <sub>OH</sub> =-0.5mA | 0.8<br>VDD | —   | VDD     | V    |
| Output Low Volt.                  | V <sub>OL</sub>     | I <sub>OL</sub> =0.5mA  | GND        | —   | 0.2 VDD | V    |
| 50% Check Board Operating Current | I <sub>DD</sub>     | VDD=5V                  | 30         | 35  | 42      | mA   |

Note: In order to avoid any possible damages, 3V or 3.3V logic I/O for VDD 5V OLED module is not recommended.

## 8. Optical Characteristics

| Item                                    | Symbol       | Condition | Min    | Typ  | Max  | Unit              |
|---|--------------|-----------|--------|------|------|-------------------|
| View Angle                              | (V) $\theta$ |           | 160    |      |      | deg               |
|   | (H) $\phi$   |           | 160    |      |      | deg               |
| Contrast Ratio                          | CR           | Dark      | 2000:1 |      | —    | —                 |
| Response Time                           | T rise       | —         |        | 10   |      | $\mu$ s           |
|   | T fall       | —         |        | 10   |      | $\mu$ s           |
| Display with 50% check Board Brightness |              |           | 60     | 70   |      | cd/m <sup>2</sup> |
| CIEx(Blue)                              |              | (CIE1931) | 0.12   | 0.16 | 0.20 |                   |
| CIey(Blue)                              |              | (CIE1931) | 0.19   | 0.23 | 0.27 |                   |



## 9. OLED Lifetime

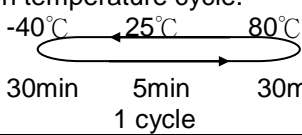
| ITEM                | Conditions   | Min           | Typ           | Remark |
|---------------------|--|---------------|---------------|--------|
| Operating Life Time | Ta=25°C<br>/ Initial 50% check Board<br>Typical Brightness Value | 40,000<br>Hrs | 50,000<br>Hrs | Note   |

Note:

1. Life time is defined the amount of time when the luminance has decayed to <50% of the initial value.
2. This analysis method uses life data obtained under accelerated conditions to extrapolate an estimated probability density function (*pdf*) for the product under normal use conditions.
3. Screen saving mode will extend OLED lifetime.

## 10. Reliability

### Content of Reliability Test

| Environmental Test                 |  |  |                     |
|------------------------------------|--|--|---------------------|
| Test Item                          | Content of Test  | Test Condition                                       | Applicable Standard |
| High Temperature storage           | Endurance test applying the high storage temperature for a long time.  | 80°C<br>240hrs                                       | —                   |
| High Temperature Operation         | Endurance test applying the electric stress (Voltage & Current) and the thermal stress to the element for a long time.                             | 80°C<br>240hrs                                       | —                   |
| Low Temperature Operation          | Endurance test applying the electric stress under low temperature for a long time.   | -40°C<br>240hrs                                      | —                   |
| High Temperature/ Humidity Storage | Endurance test applying the high temperature and high humidity storage for a long time.  | 60°C, 90%RH<br>240hrs                                | —                   |
| Temperature Cycle                  | Endurance test applying the low and high temperature cycle.<br> | -40°C/80°C<br>100 cycles                             | —                   |
| Mechanical Test                    |  |  |                     |
| Vibration test                     | Endurance test applying the vibration during transportation and using.   | 10~22Hz→1.5mmp-p<br>22~500Hz→1.5G<br>Total 0.5hr     | —                   |
| Shock test                         | Constructional and mechanical endurance test applying the shock during transportation.   | 50G Half sin wave 11 ms<br>3 times of each direction | —                   |
| Atmospheric pressure test          | Endurance test applying the atmospheric pressure during transportation by air.   | 115mbar<br>40hrs                                     | —                   |
| Others                             |  |  |                     |
| Static electricity test            | Endurance test applying the electric stress to the terminal.   | VS=800V,RS=1.5kΩ<br>CS=100pF<br>1 time               | —                   |

\*Supply voltage for OLED module =Operating voltage at 25°C

### Test and measurement conditions

1. All measurements shall not be started until the specimens attain to temperature stability.
2. After the completion of the described reliability test, the samples were left at room temperature for 2 hrs prior to conducting the failure test at  $23\pm 5^{\circ}\text{C}$ ;  $55\pm 15\%$  RH.
3. All-pixels-on is used as operation test pattern.
4. The degradation of Polarizer are ignored for High Temperature storage, High Temperature/ Humidity Storage, Temperature Cycle

### Evaluation criteria

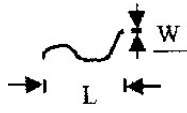
1. The function test is OK.
2. No observable defects.
3. Luminance:  $> 50\%$  of initial value.
4. Current consumption: within  $\pm 50\%$  of initial value.

### APPENDIX:

#### RESIDUE IMAGE

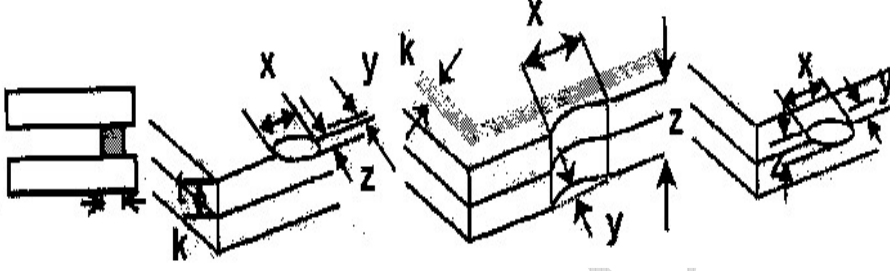
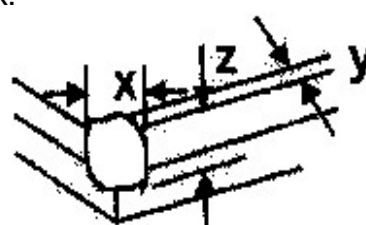
Because the pixels are lighted in different time, the luminance of active pixels may reduce or differ from inactive pixels. Therefore, the residue image will occur. To avoid the residue image, every pixel needs to be lighted up uniformly.

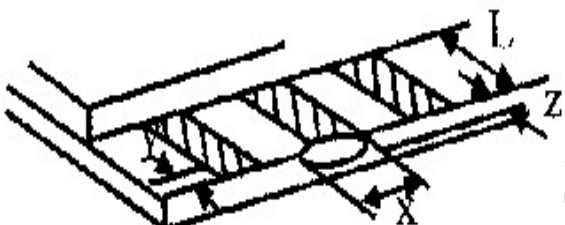
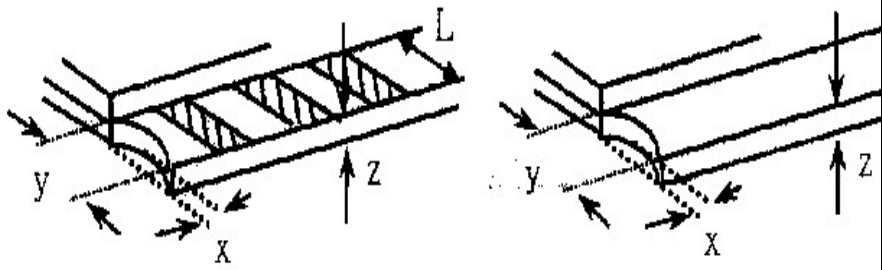
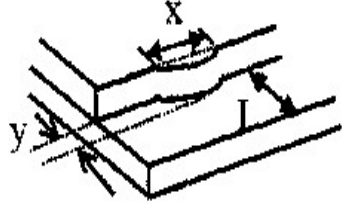
## 11. Inspection specification

| NO                      | Item   | Criterion  | AQL         |                 |                  |                 |                         |               |                         |              |                      |   |              |                      |     |
|-------------------------|--|--|-------------|-----------------|------------------|-----------------|-------------------------|---------------|-------------------------|--------------|----------------------|---|--------------|----------------------|-----|
| 01                      | Electrical Testing                                     | 1.1 Missing vertical, horizontal segment, segment contrast defect.<br>1.2 Missing character, dot or icon.<br>1.3 Display malfunction.<br>1.4 No function or no display.<br>1.5 Current consumption exceeds product specifications.<br>1.6 Viewing angle defect.<br>1.7 Mixed product types.<br>1.8 Contrast defect.  | 0.65        |                 |                  |                 |                         |               |                         |              |                      |   |              |                      |     |
| 02                      | Black or bright spots on OLED (display only)           | 2.1 Bright and black spots on display $\leq 0.25\text{mm}$ , no more than three Bright or black spots present.<br>2.2 Densely spaced: No more than two spots or lines within 3mm   | 2.5         |                 |                  |                 |                         |               |                         |              |                      |   |              |                      |     |
| 03                      | Black spots, bright spots, contamination (non-display) | 3.1 Round type : As following drawing<br>$\Phi = (x + y) / 2$  | 2.5         |                 |                  |                 |                         |               |                         |              |                      |   |              |                      |     |
|                         |  | 3.2 Line type : (As following drawing)<br> <table border="1" data-bbox="721 1167 1332 1350"> <thead> <tr> <th>Length</th> <th>Width</th> <th>Acceptable Q TY</th> </tr> </thead> <tbody> <tr> <td>---</td> <td><math>W \leq 0.02</math></td> <td>Accept no dense</td> </tr> <tr> <td><math>L \leq 3.0</math></td> <td><math>0.02 &lt; W \leq 0.03</math></td> <td rowspan="2">2</td> </tr> <tr> <td><math>L \leq 2.5</math></td> <td><math>0.03 &lt; W \leq 0.05</math></td> </tr> <tr> <td>---</td> <td><math>0.05 &lt; W</math></td> <td>As round type</td> </tr> </tbody> </table> |             | Length          | Width            | Acceptable Q TY | ---                     | $W \leq 0.02$ | Accept no dense         | $L \leq 3.0$ | $0.02 < W \leq 0.03$ | 2 | $L \leq 2.5$ | $0.03 < W \leq 0.05$ | --- |
| Length                  | Width  | Acceptable Q TY  |             |                 |                  |                 |                         |               |                         |              |                      |   |              |                      |     |
| ---                     | $W \leq 0.02$  | Accept no dense  |             |                 |                  |                 |                         |               |                         |              |                      |   |              |                      |     |
| $L \leq 3.0$            | $0.02 < W \leq 0.03$                                   | 2  |             |                 |                  |                 |                         |               |                         |              |                      |   |              |                      |     |
| $L \leq 2.5$            | $0.03 < W \leq 0.05$                                   |  |             |                 |                  |                 |                         |               |                         |              |                      |   |              |                      |     |
| ---                     | $0.05 < W$   | As round type  |             |                 |                  |                 |                         |               |                         |              |                      |   |              |                      |     |
| 04                      | Polarizer bubbles                                      | If bubbles are visible, judge using black spot specifications, not easy to find, must check in specify direction. <table border="1" data-bbox="869 1422 1332 1697"> <thead> <tr> <th>Size <math>\Phi</math></th> <th>Acceptable Q TY</th> </tr> </thead> <tbody> <tr> <td><math>\Phi \leq 0.20</math></td> <td>Accept no dense</td> </tr> <tr> <td><math>0.20 &lt; \Phi \leq 0.50</math></td> <td>3</td> </tr> <tr> <td><math>0.50 &lt; \Phi \leq 1.00</math></td> <td>2</td> </tr> <tr> <td><math>1.00 &lt; \Phi</math></td> <td>0</td> </tr> <tr> <td>Total Q TY</td> <td>3</td> </tr> </tbody> </table>   | Size $\Phi$ | Acceptable Q TY | $\Phi \leq 0.20$ | Accept no dense | $0.20 < \Phi \leq 0.50$ | 3             | $0.50 < \Phi \leq 1.00$ | 2            | $1.00 < \Phi$        | 0 | Total Q TY   | 3                    | 2.5 |
| Size $\Phi$             | Acceptable Q TY  |  |             |                 |                  |                 |                         |               |                         |              |                      |   |              |                      |     |
| $\Phi \leq 0.20$        | Accept no dense  |  |             |                 |                  |                 |                         |               |                         |              |                      |   |              |                      |     |
| $0.20 < \Phi \leq 0.50$ | 3  |  |             |                 |                  |                 |                         |               |                         |              |                      |   |              |                      |     |
| $0.50 < \Phi \leq 1.00$ | 2  |  |             |                 |                  |                 |                         |               |                         |              |                      |   |              |                      |     |
| $1.00 < \Phi$           | 0  |  |             |                 |                  |                 |                         |               |                         |              |                      |   |              |                      |     |
| Total Q TY              | 3  |  |             |                 |                  |                 |                         |               |                         |              |                      |   |              |                      |     |

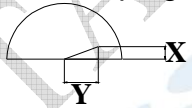




| NO                 | Item                  | Criterion   | AQL               |               |                |               |                       |               |                    |                 |               |                   |               |                |               |                       |               |                    |                 |               |     |
|--------------------|-----------------------|---|-------------------|---------------|----------------|---------------|-----------------------|---------------|--------------------|-----------------|---------------|-------------------|---------------|----------------|---------------|-----------------------|---------------|--------------------|-----------------|---------------|-----|
| 05                 | Scratches             | Follow NO.3 black spots, bright spots, contamination  |                   |               |                |               |                       |               |                    |                 |               |                   |               |                |               |                       |               |                    |                 |               |     |
| 06                 | Chipped glass         | <p>Symbols Define:<br/>           x: Chip length      y: Chip width      z: Chip thickness<br/>           k: Seal width      t: Glass thickness      a: OLED side length<br/>           L: Electrode pad length:</p> <p>6.1 General glass chip :<br/>           6.1.1 Chip on panel surface and crack between panels:</p>  <table border="1" data-bbox="443 929 1184 1153"> <thead> <tr> <th>z: Chip thickness</th> <th>y: Chip width</th> <th>x: Chip length</th> </tr> </thead> <tbody> <tr> <td><math>Z \leq 1/2t</math></td> <td>Not over viewing area</td> <td><math>x \leq 1/8a</math></td> </tr> <tr> <td><math>1/2t &lt; z \leq 2t</math></td> <td>Not exceed 1/3k</td> <td><math>x \leq 1/8a</math></td> </tr> </tbody> </table> <p>⊙ If there are 2 or more chips, x is total length of each chip.</p> <p>6.1.2 Corner crack:</p>  <table border="1" data-bbox="443 1489 1184 1713"> <thead> <tr> <th>z: Chip thickness</th> <th>y: Chip width</th> <th>x: Chip length</th> </tr> </thead> <tbody> <tr> <td><math>Z \leq 1/2t</math></td> <td>Not over viewing area</td> <td><math>x \leq 1/8a</math></td> </tr> <tr> <td><math>1/2t &lt; z \leq 2t</math></td> <td>Not exceed 1/3k</td> <td><math>x \leq 1/8a</math></td> </tr> </tbody> </table> <p>⊙ If there are 2 or more chips, x is the total length of each chip.</p> | z: Chip thickness | y: Chip width | x: Chip length | $Z \leq 1/2t$ | Not over viewing area | $x \leq 1/8a$ | $1/2t < z \leq 2t$ | Not exceed 1/3k | $x \leq 1/8a$ | z: Chip thickness | y: Chip width | x: Chip length | $Z \leq 1/2t$ | Not over viewing area | $x \leq 1/8a$ | $1/2t < z \leq 2t$ | Not exceed 1/3k | $x \leq 1/8a$ | 2.5 |
| z: Chip thickness  | y: Chip width         | x: Chip length  |                   |               |                |               |                       |               |                    |                 |               |                   |               |                |               |                       |               |                    |                 |               |     |
| $Z \leq 1/2t$      | Not over viewing area | $x \leq 1/8a$   |                   |               |                |               |                       |               |                    |                 |               |                   |               |                |               |                       |               |                    |                 |               |     |
| $1/2t < z \leq 2t$ | Not exceed 1/3k       | $x \leq 1/8a$   |                   |               |                |               |                       |               |                    |                 |               |                   |               |                |               |                       |               |                    |                 |               |     |
| z: Chip thickness  | y: Chip width         | x: Chip length  |                   |               |                |               |                       |               |                    |                 |               |                   |               |                |               |                       |               |                    |                 |               |     |
| $Z \leq 1/2t$      | Not over viewing area | $x \leq 1/8a$   |                   |               |                |               |                       |               |                    |                 |               |                   |               |                |               |                       |               |                    |                 |               |     |
| $1/2t < z \leq 2t$ | Not exceed 1/3k       | $x \leq 1/8a$   |                   |               |                |               |                       |               |                    |                 |               |                   |               |                |               |                       |               |                    |                 |               |     |

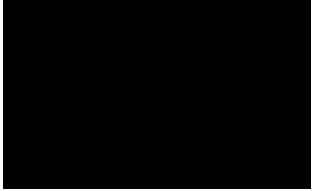
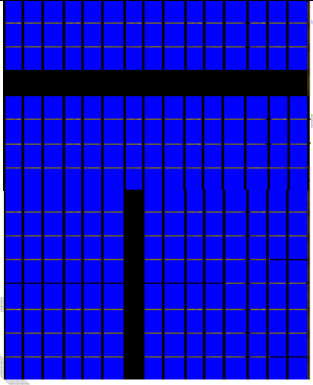
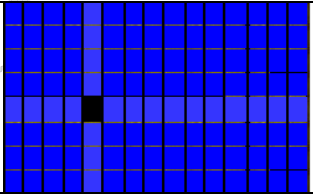
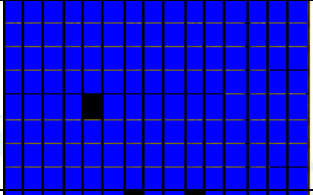
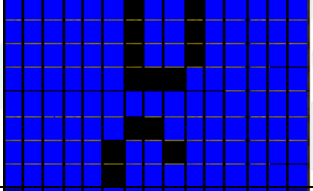
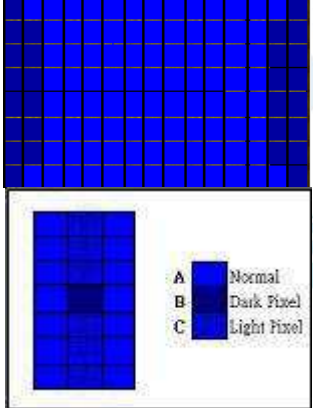
| NO            | Item           | Criterion   | AQL            |                   |                   |                       |               |                |               |                |                   |            |               |                |          |           |               |            |  |
|---------------|----------------|---|----------------|-------------------|-------------------|-----------------------|---------------|----------------|---------------|----------------|-------------------|------------|---------------|----------------|----------|-----------|---------------|------------|--|
| 06            | Glass crack    | <p>Symbols :</p> <p>x: Chip length      y: Chip width      z: Chip thickness<br/>           k: Seal width      t: Glass thickness      a: OLED side length<br/>           L: Electrode pad length</p> <p>6.2 Protrusion over terminal :</p> <p>6.2.1 Chip on electrode pad :</p>  <table border="1" data-bbox="443 784 1117 907"> <thead> <tr> <th>y: Chip width</th> <th>x: Chip length</th> <th>z: Chip thickness</th> </tr> </thead> <tbody> <tr> <td><math>y \leq 0.5\text{mm}</math></td> <td><math>x \leq 1/8a</math></td> <td><math>0 &lt; z \leq t</math></td> </tr> </tbody> </table> <p>6.2.2 Non-conductive portion:</p>  <table border="1" data-bbox="494 1232 1117 1355"> <thead> <tr> <th>y: Chip width</th> <th>x: Chip length</th> <th>z: Chip thickness</th> </tr> </thead> <tbody> <tr> <td><math>y \leq L</math></td> <td><math>x \leq 1/8a</math></td> <td><math>0 &lt; z \leq t</math></td> </tr> </tbody> </table> <p>2.5</p> <p>⊙ If the chipped area touches the ITO terminal, over 2/3 of the ITO must remain and be inspected according to electrode terminal specifications.<br/>           ⊙ If the product will be heat sealed by the customer, the alignment mark not be damaged.</p> <p>6.2.3 Substrate protuberance and internal crack.</p>  <table border="1" data-bbox="853 1579 1228 1668"> <thead> <tr> <th>y: width</th> <th>x: length</th> </tr> </thead> <tbody> <tr> <td><math>y \leq 1/3L</math></td> <td><math>x \leq a</math></td> </tr> </tbody> </table> | y: Chip width  | x: Chip length    | z: Chip thickness | $y \leq 0.5\text{mm}$ | $x \leq 1/8a$ | $0 < z \leq t$ | y: Chip width | x: Chip length | z: Chip thickness | $y \leq L$ | $x \leq 1/8a$ | $0 < z \leq t$ | y: width | x: length | $y \leq 1/3L$ | $x \leq a$ |  |
|               |                | y: Chip width   | x: Chip length | z: Chip thickness |                   |                       |               |                |               |                |                   |            |               |                |          |           |               |            |  |
|               |                | $y \leq 0.5\text{mm}$   | $x \leq 1/8a$  | $0 < z \leq t$    |                   |                       |               |                |               |                |                   |            |               |                |          |           |               |            |  |
| y: Chip width | x: Chip length | z: Chip thickness   |                |                   |                   |                       |               |                |               |                |                   |            |               |                |          |           |               |            |  |
| $y \leq L$    | $x \leq 1/8a$  | $0 < z \leq t$  |                |                   |                   |                       |               |                |               |                |                   |            |               |                |          |           |               |            |  |
| y: width      | x: length      |   |                |                   |                   |                       |               |                |               |                |                   |            |               |                |          |           |               |            |  |
| $y \leq 1/3L$ | $x \leq a$     |   |                |                   |                   |                       |               |                |               |                |                   |            |               |                |          |           |               |            |  |



| NO | Item          | Criterion   | AQL  |
|----|---------------|---|--|
| 07 | Cracked glass | The OLED with extensive crack is not acceptable.  | 2.5  |
| 08 | Bezel         | 8.1 Bezel may not have rust, be deformed or have fingerprints, stains or other contamination.<br>8.2 Bezel must comply with job specifications.   | 2.5<br>0.65  |
| 9  | PCB - COB     | <p>9.1 COB seal may not have pinholes larger than 0.2mm or contamination.</p> <p>9.2 COB seal surface may not have pinholes through to the IC.</p> <p>9.3 The height of the COB should not exceed the height indicated in the assembly diagram.</p> <p>9.4 There may not be more than 2mm of sealant outside the seal area on the PCB. And there should be no more than three places.</p> <p>9.5 No oxidation or contamination PCB terminals.</p> <p>9.6 Parts on PCB must be the same as on the production characteristic chart. There should be no wrong parts, missing parts or excess parts.</p> <p>9.7 The jumper on the PCB should conform to the product characteristic chart.</p> <p>9.8 If solder gets on bezel tab pads, zebra pad or screw hold pad, make sure it is smoothed down.</p> <p>9.9 The Scraping testing standard for Copper Coating of PCB</p>  <p style="text-align: center;"><math>X * Y \leq 2\text{mm}^2</math></p> | 2.5<br>2.5<br>0.65<br>2.5<br>2.5<br>0.65<br>2.5<br>2.5 |
| 10 | Soldering     | <p>10.1 No un-melted solder paste may be present on the PCB.</p> <p>10.2 No cold solder joints, missing solder connections, oxidation or icicle.</p> <p>10.3 No residue or solder balls on PCB.</p> <p>10.4 No short circuits in components on PCB.</p>   | 2.5<br>2.5<br>2.5<br>0.65                              |

| NO | Item               | Criterion  | AQL  |
|----|--------------------|--|------|
| 11 | General appearance | 11.1 No oxidation, contamination, curves or, bends on interface Pin (OLB) of TCP.  | 2.5  |
|    |                    | 11.2 No cracks on interface pin (OLB) of TCP.  | 0.65 |
|    |                    | 11.3 No contamination, solder residue or solder balls on product.  | 2.5  |
|    |                    | 11.4 The IC on the TCP may not be damaged, circuits.   | 2.5  |
|    |                    | 11.5 The uppermost edge of the protective strip on the interface pin must be present or look as if it causes the interface pin to sever. | 2.5  |
|    |                    | 11.6 The residual rosin or tin oil of soldering (component or chip component) is not burned into brown or black color.                   | 2.5  |
|    |                    | 11.7 Sealant on top of the ITO circuit has not hardened.   | 0.65 |
|    |                    | 11.8 Pin type must match type in specification sheet.  | 0.65 |
|    |                    | 11.9 OLED pin loose or missing pins.   | 0.65 |
|    |                    | 11.10 Product packaging must the same as specified on packaging specification sheet.   | 0.65 |
|    |                    | 11.11 Product dimension and structure must conform to product specification sheet.   | 0.65 |

Standard :

| Check Item   | Classification | Criteria   |
|--|----------------|--|
| No Display   | Major          |    |
| Missing Line   | Major          |    |
| Pixel Short  | Major          |   |
| Darker Short   | Major          |  |
| Wrong Display  | Major          |  |
| Un-uniform<br>$B/A \times 100\% < 70\%$<br>$A/C \times 100\% < 70\%$ | Major          |  |

## 12. Precautions in use of Modules

- (1) Avoid applying excessive shocks to module or making any alterations or modifications to it.
- (2) Don't make extra holes on the printed circuit board, modify its shape or change the components of OLED display module.
- (3) Don't disassemble the OLED display module.
- (4) Don't operate it above the absolute maximum rating.
- (5) Don't drop, bend or twist OLED display module.
- (6) Soldering: only to the I/O terminals.
- (7) Storage: please storage in anti-static electricity container and clean environment.
- (8) It's pretty common to use "Screen Saver" to extend the lifetime and Don't use fix information for long time in real application.
- (9) Don't use fixed information in OLED panel for long time, that will extend "screen burn" effect time..
- (10) Raystar has the right to change the passive components, including R2 and R3 adjust resistors. (Resistors, capacitors and other passive components will have different appearance and color caused by the different supplier.)
- (11) Raystar have the right to change the PCB Rev. (In order to satisfy the supplying stability, management optimization and the best product performance...etc, under the premise of not affecting the electrical characteristics and external dimensions, Raystar have the right to modify the version.)

### 12.1 Handling Precautions

- (1) Since the display panel is being made of glass, do not apply mechanical impacts such as dropping from a high position.
- (2) If the display panel is broken by some accident and the internal organic substance leaks out, be careful not to inhale nor lick the organic substance.
- (3) If pressure is applied to the display surface or its neighborhood of the OLED display module, the cell structure may be damaged and be careful not to apply pressure to these sections.
- (4) The polarizer covering the surface of the OLED display module is soft and easily scratched. Please be careful when handling the OLED display module.
- (5) When the surface of the polarizer of the OLED display module has soil, clean the surface. It takes advantage of by using following adhesion tape.

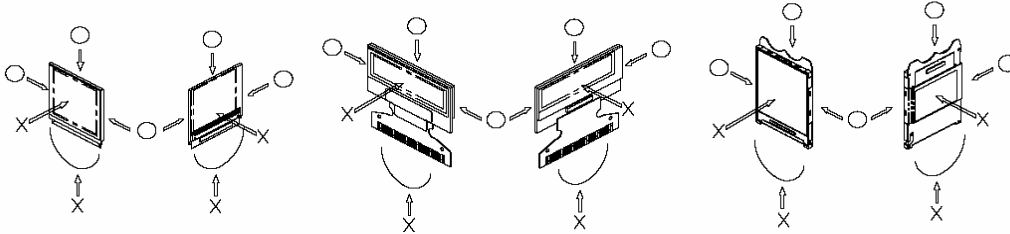
\* Scotch Mending Tape No. 810 or an equivalent

Never try to breathe upon the soiled surface nor wipe the surface using cloth containing solvent

Also, pay attention that the following liquid and solvent may spoil the polarizer:

- \* Water
- \* Ketone
- \* Aromatic Solvents

- (6) Hold OLED display module very carefully when placing OLED display module into the System housing. Do not apply excessive stress or pressure to OLED display module. And, do not over bend the film with electrode pattern layouts. These stresses will influence the display performance. Also, secure sufficient rigidity for the outer cases.



- (7) Do not apply stress to the LSI chips and the surrounding molded sections.
- (8) Do not disassemble nor modify the OLED display module.
- (9) Do not apply input signals while the logic power is off.
- (10) Pay sufficient attention to the working environments when handing OLED display modules to prevent occurrence of element breakage accidents by static electricity.
- \* Be sure to make human body grounding when handling OLED display modules.
  - \* Be sure to ground tools to use or assembly such as soldering irons.
  - \* To suppress generation of static electricity, avoid carrying out assembly work under dry environments.
  - \* Protective film is being applied to the surface of the display panel of the OLED display module. Be careful since static electricity may be generated when exfoliating the protective film.
- (11) Protection film is being applied to the surface of the display panel and removes the protection film before assembling it. At this time, if the OLED display module has been stored surface of the display panel after removed of the film. In such case, remove the residue material by the method introduced in the above Section 5.
- (12) If electric current is applied when the OLED display module is being dewed or when it is placed under high humidity environments, the electrodes may be corroded and be careful to avoid the above.

## 12.2 Storage Precautions

- (1) When storing OLED display modules, put them in static electricity preventive bags avoiding exposure to direct sun light nor to lights of fluorescent lamps. And, also, avoiding high temperature and high humidity environment or low temperature (less than 0°C) environments. (We recommend you to store these modules in the packaged state when they were shipped from Raystar Optronics Inc. At that time, be careful not to let water drops adhere to the packages or bags nor let dewing occur with them.
- (2) If electric current is applied when water drops are adhering to the surface of the OLED display module, when the OLED display module is being dewed or when it is placed under high humidity environments, the electrodes may be corroded and be careful about the above.





### 12.3 Designing Precautions

- (1) The absolute maximum ratings are the ratings which cannot be exceeded for OLED display module, and if these values are exceeded, panel damage may be happen.
- (2) To prevent occurrence of malfunctioning by noise, pay attention to satisfy the VIL and VIH specifications and, at the same time, to make the signal line cable as short as possible.
- (3) We recommend you to install excess current preventive unit (fuses, etc.) to the power circuit (VDD). (Recommend value: 0.5A)
- (4) Pay sufficient attention to avoid occurrence of mutual noise interference with the neighboring devices.
- (5) As for EMI, take necessary measures on the equipment side basically.
- (6) When fastening the OLED display module, fasten the external plastic housing section.
- (7) If power supply to the OLED display module is forcibly shut down by such errors as taking out the main battery while the OLED display panel is in operation, we cannot guarantee the quality of this OLED display module. Connection (contact) to any other potential than the above may lead to rupture of the IC.



**Module Sample Estimate Feedback Sheet**

**Module Number :** \_\_\_\_\_

**1 - Panel Specification :**

|                            |                               |                                     |
|----------------------------|-------------------------------|-------------------------------------|
| 1. Panel Type :            | <input type="checkbox"/> Pass | <input type="checkbox"/> NG , _____ |
| 2. Numbers of Pixel :      | <input type="checkbox"/> Pass | <input type="checkbox"/> NG , _____ |
| 3. View Area :             | <input type="checkbox"/> Pass | <input type="checkbox"/> NG , _____ |
| 4. Active Area :           | <input type="checkbox"/> Pass | <input type="checkbox"/> NG , _____ |
| 5. Emitting Color :        | <input type="checkbox"/> Pass | <input type="checkbox"/> NG , _____ |
| 6. Uniformity :            | <input type="checkbox"/> Pass | <input type="checkbox"/> NG , _____ |
| 7. Operating Temperature : | <input type="checkbox"/> Pass | <input type="checkbox"/> NG , _____ |
| 8. Storage Temperature :   | <input type="checkbox"/> Pass | <input type="checkbox"/> NG , _____ |
| 9. Others :                | _____                         |                                     |

**2 - Mechanical Specification :**

|                             |                               |                                     |
|-----------------------------|-------------------------------|-------------------------------------|
| 1. PCB Size :               | <input type="checkbox"/> Pass | <input type="checkbox"/> NG , _____ |
| 2. Frame Size :             | <input type="checkbox"/> Pass | <input type="checkbox"/> NG , _____ |
| 3. Material of Frame :      | <input type="checkbox"/> Pass | <input type="checkbox"/> NG , _____ |
| 4. Connector Position :     | <input type="checkbox"/> Pass | <input type="checkbox"/> NG , _____ |
| 5. Fix Hole Position :      | <input type="checkbox"/> Pass | <input type="checkbox"/> NG , _____ |
| 6. Thickness of PCB :       | <input type="checkbox"/> Pass | <input type="checkbox"/> NG , _____ |
| 7. Height of Frame to PCB : | <input type="checkbox"/> Pass | <input type="checkbox"/> NG , _____ |
| 8. Height of Module :       | <input type="checkbox"/> Pass | <input type="checkbox"/> NG , _____ |
| 9. Others :                 | <input type="checkbox"/> Pass | <input type="checkbox"/> NG , _____ |

**3 - Relative Hole Size :**

|                             |                               |                                     |
|-----------------------------|-------------------------------|-------------------------------------|
| 1. Pitch of Connector :     | <input type="checkbox"/> Pass | <input type="checkbox"/> NG , _____ |
| 2. Hole size of Connector : | <input type="checkbox"/> Pass | <input type="checkbox"/> NG , _____ |
| 3. Mounting Hole size :     | <input type="checkbox"/> Pass | <input type="checkbox"/> NG , _____ |
| 4. Mounting Hole Type :     | <input type="checkbox"/> Pass | <input type="checkbox"/> NG , _____ |
| 5. Others :                 | <input type="checkbox"/> Pass | <input type="checkbox"/> NG , _____ |

>> **Go to page 2** <<

|   |                               |                                     |
|---|-------------------------------|-------------------------------------|
| <b>Module Number :</b> _____  |                               |                                     |
| <b>4 、 <u>Electronic Characteristics of Module</u> :</b>  |                               |                                     |
| 1.Input Voltage :   | <input type="checkbox"/> Pass | <input type="checkbox"/> NG , _____ |
| 2.Supply Current :  | <input type="checkbox"/> Pass | <input type="checkbox"/> NG , _____ |
| 3.Driving Voltage for OLED :  | <input type="checkbox"/> Pass | <input type="checkbox"/> NG , _____ |
| 4.Contrast for OLED :   | <input type="checkbox"/> Pass | <input type="checkbox"/> NG , _____ |
| 5.Negative Voltage Output :   | <input type="checkbox"/> Pass | <input type="checkbox"/> NG , _____ |
| 6.Interface Function :  | <input type="checkbox"/> Pass | <input type="checkbox"/> NG , _____ |
| 7.ESD test :  | <input type="checkbox"/> Pass | <input type="checkbox"/> NG , _____ |
| 8.Others :  | <input type="checkbox"/> Pass | <input type="checkbox"/> NG , _____ |
| <b>5 、 <u>Summary</u> :</b>   |                               |                                     |
| <p>Sales signature : _____</p> <p>Customer Signature : _____</p> <p style="text-align: right;">Date :    /    /</p> |                               |                                     |



## X-ON Electronics

Largest Supplier of Electrical and Electronic Components

*Click to view similar products for [LED Displays & Accessories](#) category:*

*Click to view products by [Raystar](#) manufacturer:*

Other Similar products are found below :

[LTC-2721WC](#) [LTC-4624JD](#) [LTC-4627G](#) [LTC-4627WC](#) [LTD-5021AWC](#) [LTM-8522G](#) [LTP-4323P](#) [LTP-747G](#) [LTS-3361JG-06](#)  
[F416SYGWA/S530-E3](#) [EADST040RA2](#) [1668](#) [HT-F196NB-5323](#) [IPD2131-27](#) [SA03-12EWA](#) [LDD-E2802RD](#) [LDD-E306MI](#) [LDQ-N514RI](#)  
[LDS-A3506RD](#) [LDS-A3926RI](#) [LDT-M516RI](#) [SC03-12HDB](#) [SI-B9T151550WW](#) [SI-B9V171550WW](#) [SLC-3PF-WL](#) [1624](#) [LTC-2621JD](#)  
[LTC-2623WC](#) [LTC-4624P](#) [LTC-4627JD](#) [LTD-2601E](#) [LTD-322G](#) [LTD-482PC](#) [LTP-1457AKR](#) [LTP-3784G-01](#) [LTS-313AP](#) [LTS-4812SKR-](#)  
[P](#) [LTS-547AE](#) [LTS-6780P](#) [446010401-3](#) [HV-7W30-6829](#) [CA12240\\_MINNIE-WWW-MTG-ASSY](#) [DA43-11GWA](#) [LDD-A516RI-17](#) [LDD-](#)  
[E305RI](#) [LDQ-M513RI](#) [LDQ-M5204RI-SI](#) [LDQ-N3402RI](#) [LDQ-N3606RI](#) [LDS-A3924RI-SI](#)