

62035-X1X M19500/519
M19500/520
M19500/521

**JAN AND JANTX QUALIFIED,
PANEL MOUNT HERMETIC
LED INDICATORS**



04/27/2012

Features:

- Hermetically sealed
- Choice of colors (Red, Yellow, Green)
- Wide Viewing Angle
- Panel Mount with wire wrappable leads
- Designed for Hi-Reliability applications
- DLA qualified

Applications:

- P.C. Board Fault Indicator
- Logic Status Indicator
- Binary Data Display
- Power supply on/off indicator

DESCRIPTION

The **62035-X1X** series indicators contain a hermetically sealed visible LED in a TO-46 packages with a tinted diffused dome lens to provide good on/off contrast and a wide viewing angle. The /519 (red) and /520 (yellow) indicators utilize a high efficiency GaAsP on GaP LED, while the /521 (green) indicator utilizes a GaP on GaP LED. Each type uses a colored diffused plastic lens over a glass window. All versions are available in standard, JAN or JANTX screened levels.

ABSOLUTE MAXIMUM RATINGS

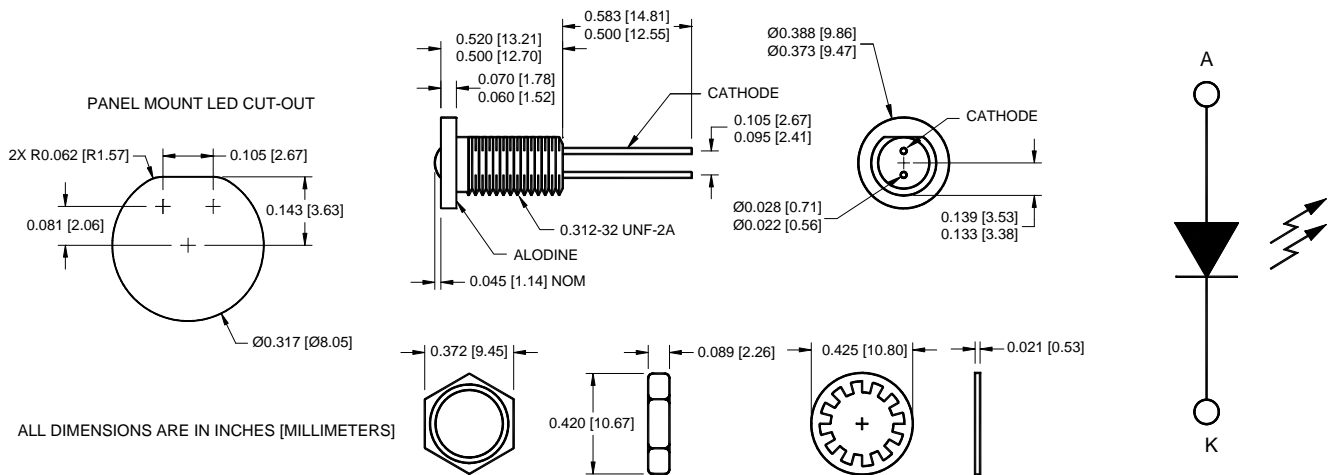
Reverse Voltage	5 Vdc
Power Dissipation (Note 1)	120 mW
Forward Current-Continuous	35 mA
Storage Temperature.....	-65°C to +100°C
Operating Temperature	-55°C to +100°C
Lead Soldering Temperature (10 seconds, 1/16" from case).....	260°C
Maximum Mounting Torque (Panel mount version).....	25 in•lbs

NOTES :

1. Derate at the rate of 1.6 mW/°C above 50°C.

Panel Mount Dimensions

Schematic Diagram



NOTES:

1. ALL EXTERNAL METAL SURFACES OF THE PACKAGE ARE BLACK ANODIZED EXCEPT FOR THE ALODINE AREA OF THE FLANGE AND THE GOLD-PLATED LEADS.
2. MOUNTING HARDWARE WHICH INCLUDES ONE LOCK WASHER AND ONE HEX NUT IS INCLUDED WITH EACH PANEL MOUNTABLE HERMETIC SOLID STATE LAMP.

62035-X1X M19500/519
M19500/520
M19500/521

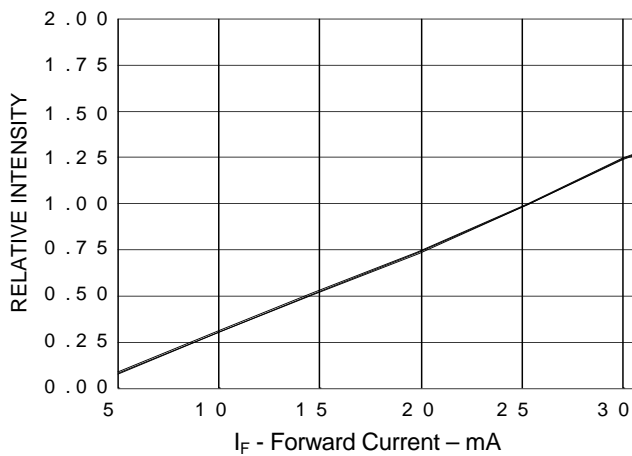
JAN AND JANTX QUALIFIED, PANEL MOUNT HERMETIC LED INDICATORS

04/27/2012

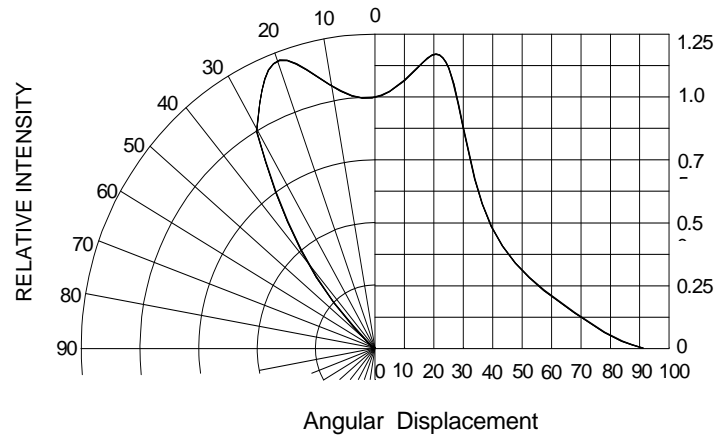
ELECTRICAL/OPTICAL CHARACTERISTICS TA=25°C

PART NUMBER	COLOR	TEST CONDITION	PARAMETER LIMITS				
			I_F mA	PEAK λ TYP.	$I_{V1} \theta = 0^\circ$ MIN.	$I_{V2} \theta = 30^\circ$ MIN.	V_F MAX.
62035-11X	RED	20	635	3 mcd	1.5 mcd.	3 V	100 pF
62035-21X	YELLOW	20	585	3 mcd	1.5 mcd.	3 V	100 pF
62035-31X	GREEN	20	570	3 mcd	1.5 mcd.	3 V	100 pF

Relative Luminous Intensity vs Forward Current
(Normalized at 20 mA)



Relative Luminous Intensity vs. Angular Displacement



RECOMMENDED OPERATING CONDITIONS:

PARAMETER	SYMBOL	MIN	MAX	UNITS
Forward	I_F	20	35	mA
Operating Temperature	T_A	-65	+100	°C

SELECTION GUIDE

PART NUMBER	PART DESCRIPTION	CONTROLLING MIL DOCUMENT
62035-111	Commercial, Red LED, Panel Mount	M19500/519
62035-112	JAN Screened, Red LED, Panel Mount	M19500/519-01
62035-113	JANTX Screened, Red LED, Panel Mount	M19500/519-02
62035-211	Commercial, Yellow LED, Panel Mount	M19500/520
62035-212	JAN Screened, Yellow LED, Panel Mount	M19500/520-01
62035-213	JANTX Screened, Yellow LED, Panel Mount	M19500/520-02
62035-311	Commercial, Green LED, Panel Mount	M19500/521
62035-312	JAN Screened, Green LED, Panel Mount	M19500/521-01
62035-313	JANTX Screened, Green LED, Panel Mount	M19500/521-02

X-ON Electronics

Largest Supplier of Electrical and Electronic Components

Click to view similar products for [Gate Drivers](#) category:

Click to view products by [Micropac](#) manufacturer:

Other Similar products are found below :

[00028](#) [00053P0231](#) [8967380000](#) [56956](#) [CR7E-30DB-3.96E\(72\)](#) [57.404.7355.5](#) [LT4936](#) [57.904.0755.0](#) [5801-0903](#) [5803-0901](#) [5811-0902](#)
[5813-0901](#) [58410](#) [00576P0030](#) [00581P0070](#) [5882900001](#) [00103P0020](#) [00600P0005](#) [00-9050-LRPP](#) [00-9090-RDPP](#) [5951900000](#) [01-](#)
[1003W-10/32-15](#) [LTI LA6E-1S-WH-RC-FN12VXCR1](#) [0131700000](#) [00-2240](#) [LTP70N06](#) [LVP640](#) [0158-624-00](#) [5J0-1000LG-SIL](#) [020017-13](#)
[LY1D-2-5S-AC120](#) [LY2-0-US-AC120](#) [LY2-US-AC240](#) [LY3-UA-DC24](#) [00-5150](#) [00576P0020](#) [00600P0010](#) [LZNQ2M-US-DC5](#) [LZNQ2-](#)
[US-DC12](#) [LZP40N10](#) [00-8196-RDPP](#) [00-8274-RDPP](#) [00-8275-RDNP](#) [00-8609-RDPP](#) [00-8722-RDPP](#) [00-8728-WHPP](#) [00-8869-RDPP](#) [00-](#)
[9051-RDPP](#) [00-9091-LRPP](#) [00-9291-RDPP](#)