

61083- AA B C D E G V FF

AA	NO. OF POSITIONS
02	2X10
04	2X20
06	2X30
08	2X40
10	2X50
12	2X60
14	2X70
16	2X80
18	2X90
20	2X100

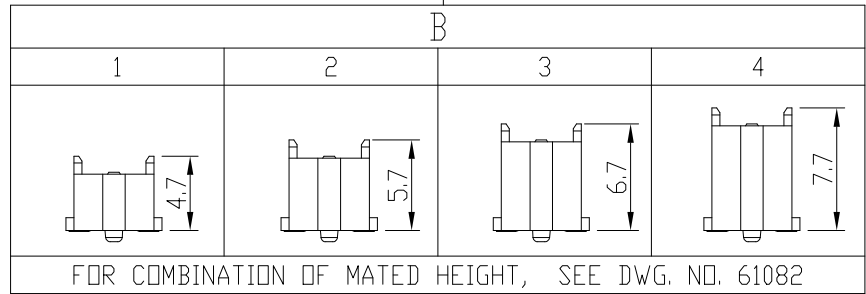
NOTE 10

V	MANDATORY CODE
/	STANDARD, NOT MANDATORY P/N
V	ONLY FOR DEDICATED CUSTOMER

G	DATE CODE
/	STANDARD, NOT PRINT DATE CODE
P	PRINT DATE CODE

E	PACKAGING
0	TUBE WITHOUT METAL CAP
2	T&R WITH METAL CAP
9	TUBE WITH METAL CAP
6	T&R WITHOUT METAL CAP (WITH KAPTON TAPE)
7	T&R WITH PLASTIC CAP
Q	T&R WITHOUTL CAP

D	FEATURE	HOLD DOWN
0	YES	NO
2	NO	NO



NOTE:

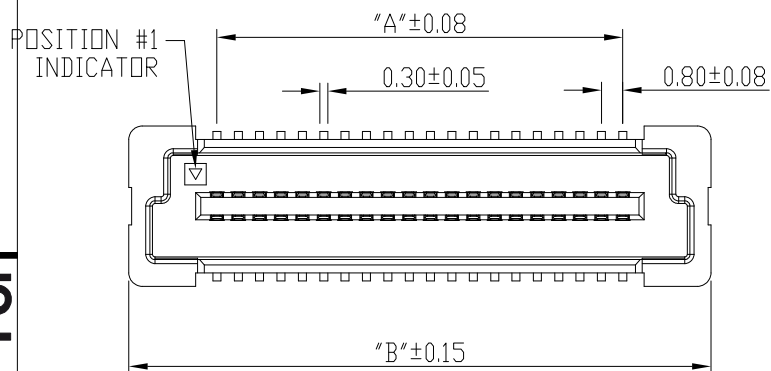
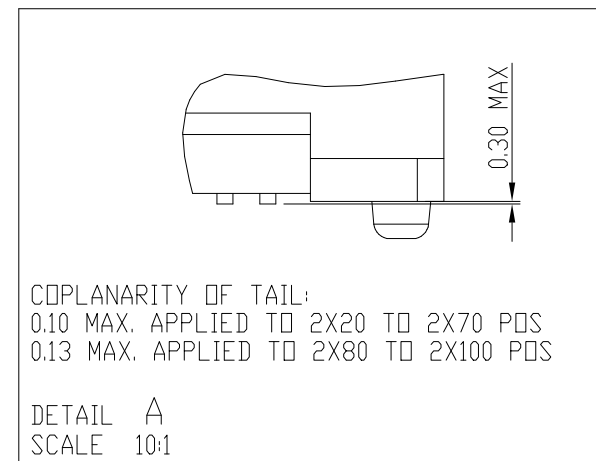
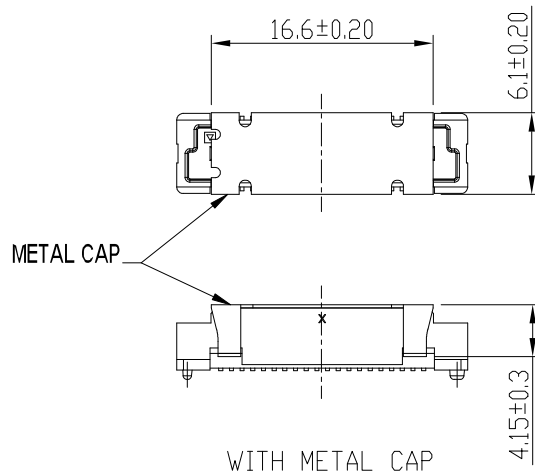
FOR COMBINATION OF MATED HEIGHT, SEE DWG. NO. 61082

- MATERIAL:
HOUSING: G.F. LCP, NATURAL, UL94-V0
TERMINAL: BRASS
- PLATING: AS SHOWN IN TABLE.
- SEE GS-12-547 FOR PRODUCT SPEC.
- PACKAGING OPTION 2: NOT ALL SIZES ARE AVAILABLE. CHECK WITH FACTORY.
- THIS PRODUCT MEETS THE EUROPEAN UNION DIRECTIVES AND OTHER COUNTRY REGULATIONS AS DESCRIBED IN GS-22-008.
- THE HOUSING WILL WITHSTAND EXPOSURE UP TO 260° PEAK TEMPERATURE FOR 30 SECONDS IN A CONVECTION, INFRA-RED OR VAPOR PHASE REFLOW OVEN.
- PLATING OPTION "4" IS LEADFREE ALTERNATIVE FOR OPTION "0", AND OPTION "6" IS LEADFREE ALTERNATIVE FOR OPTION "1".
- HIGH PRECISION COPLANARITY IS AVAILABLE FOR 2X80 TO 2X100 PDS, ALL HEIGHTS. PLS REFER TO PRINT 10069525.
- THE P/N 61083-***** OR 61083-*****LF NOT PRINT DATE CODE.
THE P/N 61083-*****P OR 61083-*****PLF NEED PRINT DATE CODE.
- POSITION 2X10 TYPE ONLY APPLY TO PLUG 1.
PACKAGING WITH METAL CAP AND PLASTIC CAP DOES NOT APPLY TO 2X10 POSITION.
- KAPTON TAPE ONLY APPLY TO POSITION 2X10~2X20.

C	PLATING	FF
0	GOLD 0.2um MIN. ON CONTACT AREA ; TIN LEAD 2.5um MIN ON SOLDER TAIL NICKEL UNDERPLATE OVERALL 1.27um MIN	NONE
1	GOLD FLASH (0.065um MIN) OVER PALLADIUM-NICKEL 0.69um MIN ON CONTACT AREA ; TIN LEAD 2.5um MIN ON SOLDER TAIL NICKEL UNDERPLATE OVERALL 1.27um.	NONE
4	GOLD 0.2um MIN ON CONTACT AREA ; PURE MATT TIN 2.5um MIN ON SOLDER TAIL; NICKEL UNDERPLATE OVERALL 1.27um. (LEADFREE PLATING)	LF
5	GOLD 0.38um MIN ON CONTACT AREA ; MATT PURE TIN 2.5um MIN ON SOLDER TAIL; NICKEL UNDERPLATE OVERALL 1.27um MIN (LEADFREE PLATING)	LF
6	GOLD FLASH (0.065um MIN) OVER PALLADIUM-NICKEL 0.69um MIN ON CONTACT AREA ; PURE MATT TIN 2.5um MIN ON SOLDER TAIL NICKEL UNDERPLATE OVERALL 1.27um. (LEADFREE PLATING)	LF
7	GOLD 0.76um MIN ON CONTACT AREA ; PURE MATT TIN 2.5um MIN ON SOLDER TAIL; NICKEL UNDERPLATE OVERALL 1.27um. (LEADFREE PLATING)	LF
9	GOLD 0.2um MIN ON CONTACT AREA ; GOLD 0.05um MIN ON SOLDER TAIL NICKEL UNDERPLATE OVERALL 1.27um. (LEADFREE PLATING)	LF

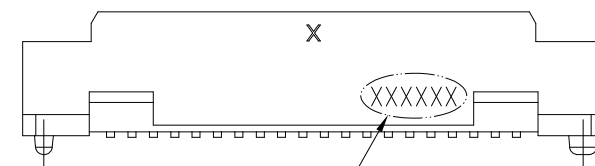
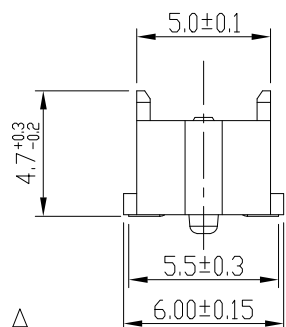
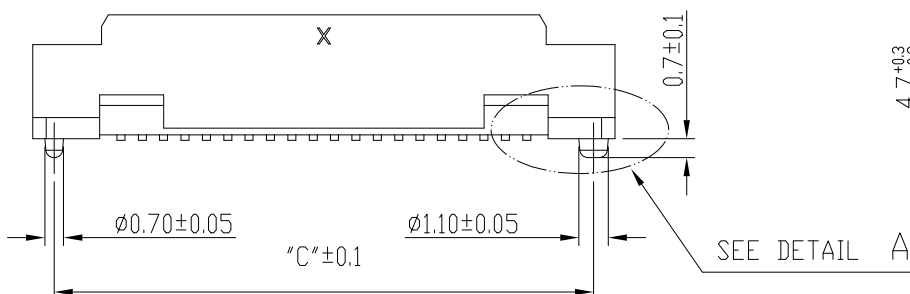
mat'l. code		surface <input checked="" type="checkbox"/> tolerance <input checked="" type="checkbox"/>		projection <input checked="" type="checkbox"/>		product family	
		ISO 1302 ✓ ISO 406 ISO 1101		mm		BERGSTAK HPL545	
ltr	ecn no	dr	date	tolerances unless otherwise specified	angles	linear	title
AG		GM	10/19/16				PLUG ASSY
AH	ELX-N-25161	Bob	10/19/16				BERGSTAK 0.8MM
AJ	ELX-N-25201	Bob	12/29/16	0±3'			
AK	ELX-N-26185	Bob	02/27/17	dr	GuoMin Sun	10/21/14	dwg no
AL	ELX-N-26381	Bob	03/17/17	engr	Bob Gu	03/17/17	sheet 1 of 6
				chr	LQ Lei	03/17/17	size
				appd	Tim Yao	03/17/17	A3
sheet index		revision		AL		type Product Customer Drawing	
		sheet 1~6					

PRODUCT NO.	NO. OF POSITION	DIMENSION		
		A	B	C
61083-021***	2X10	7.2	13.8	12.2
61083-041***	2X20	15.2	21.8	20.2
61083-061***	2X30	23.2	29.8	28.2
61083-081***	2X40	31.2	37.8	36.2
61083-101***	2X50	39.2	45.8	44.2
61083-121***	2X60	47.2	53.8	52.2
61083-141***	2X70	55.2	61.8	60.2
61083-161***	2X80	63.2	69.8	68.2
61083-181***	2X90	71.2	77.8	76.2
61083-201***	2X100	79.2	85.8	84.2



DATE CODE: XXXXXX
 DAY(01~31)
 MONTH(01~12)
 YEAR(00~99)

DETAIL AA



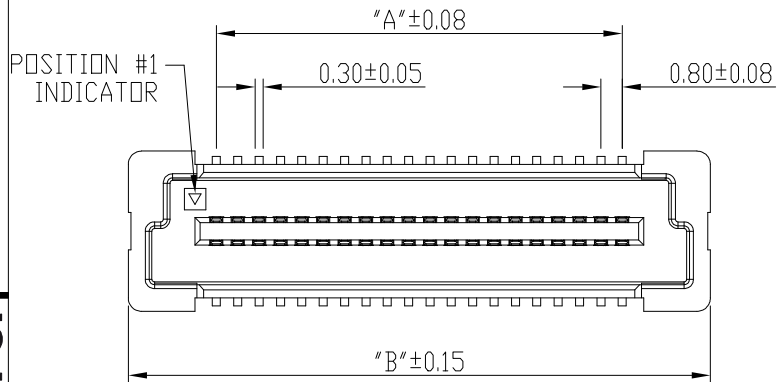
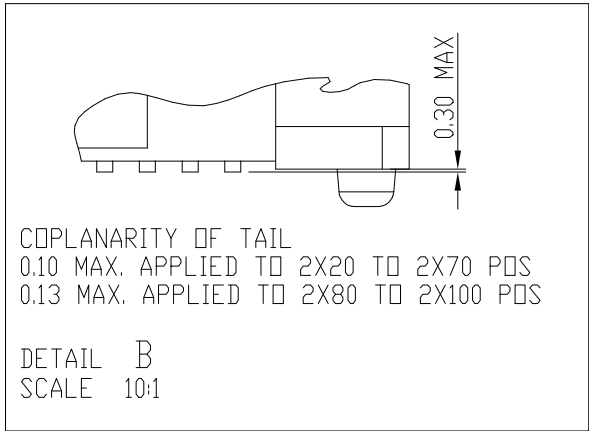
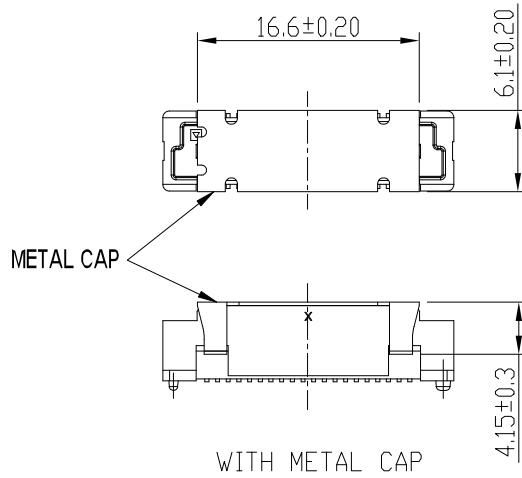
PLUG 1

mat'l. code		surface ISO 1302 ✓		tolerance ISO 406 ISO 1101		projection		product family	
ISO 1302 ✓		ISO 406		ISO 1101		mm		BERGSTAK HPL545	
tolerances unless otherwise specified		angles		linear		scale 1:1		title	
.0±.2		0°±3'		.00±.15				PLUG ASSY	
.000±.10								BERGSTAK 0.8MM	
AK ELX-N-26185 Bob 02/27/17 dr		GuoMin Sun 10/21/14		AL ELX-N-26381 Bob 03/17/17 engr		Bob Gu 03/17/17		dwg no	
AJ ELX-N-25201 Bob 12/29/16				chr LQ Lei 03/17/17		appd Tim Yao 03/17/17		sheet 2 of 6	
AL ELX-N-26381 Bob 03/17/17 engr								size	
								A3	
								type	
								Product Customer Drawing	
sheet index		revision sheet		AL 1~6					

Amphenol FCI

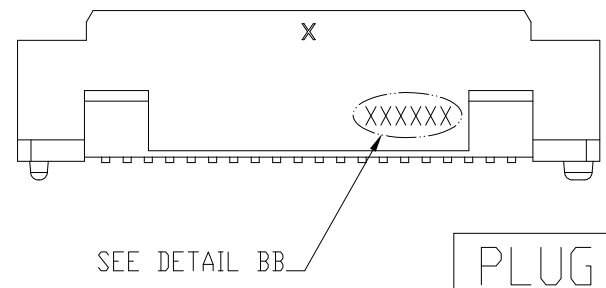
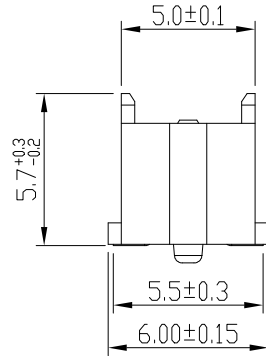
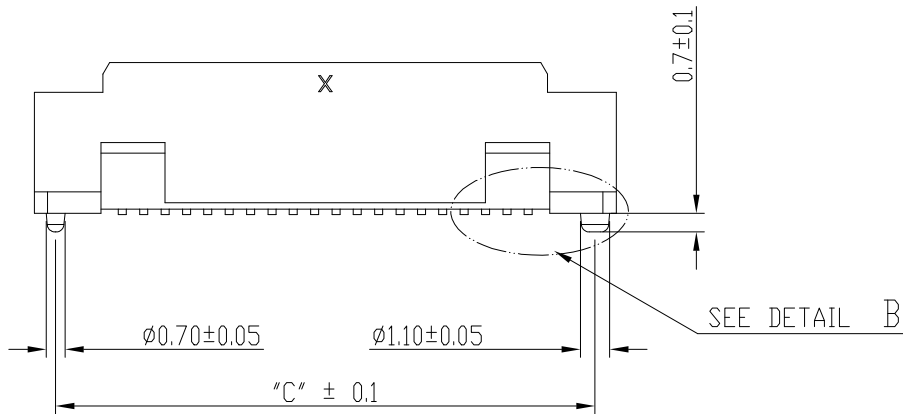
© 2016 AFCI

PRODUCT NO.	NO. OF POSITION	DIMENSION		
		A	B	C
61083-042***	2X20	15.2	21.8	20.2
61083-062***	2X30	23.2	29.8	28.2
61083-082***	2X40	31.2	37.8	36.2
61083-102***	2X50	39.2	45.8	44.2
61083-122***	2X60	47.2	53.8	52.2
61083-142***	2X70	55.2	61.8	60.2
61083-162***	2X80	63.2	69.8	68.2
61083-182***	2X90	71.2	77.8	76.2
61083-202***	2X100	79.2	85.8	84.2



DATE CODE: XXXXXX
 DAY(01~31)
 MONTH(01~12)
 YEAR(00~99)

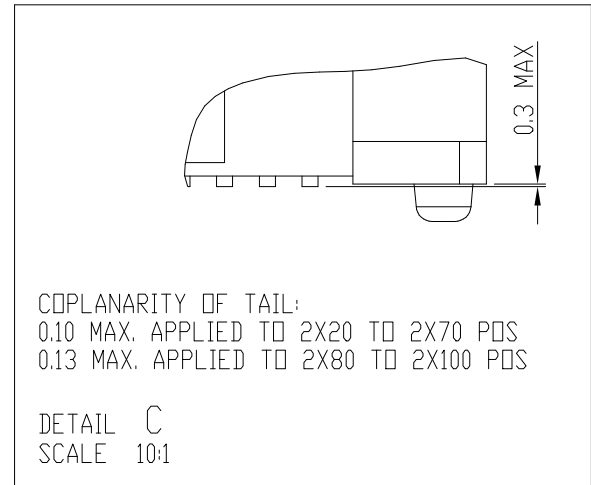
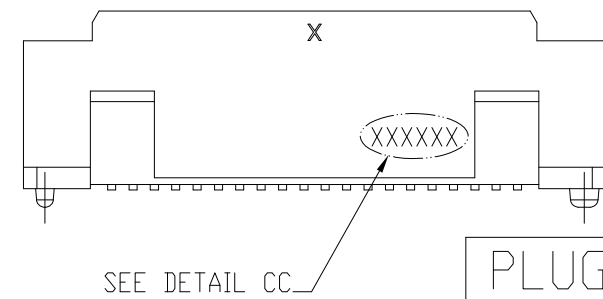
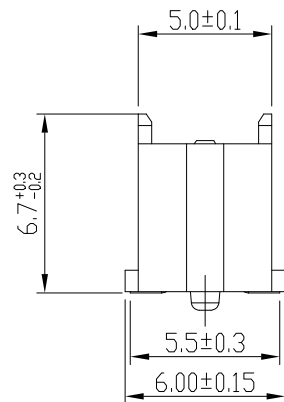
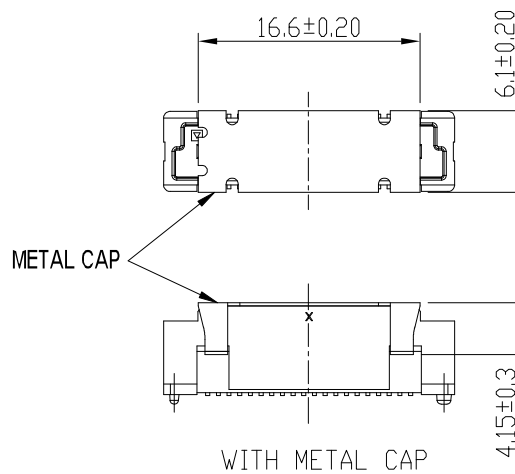
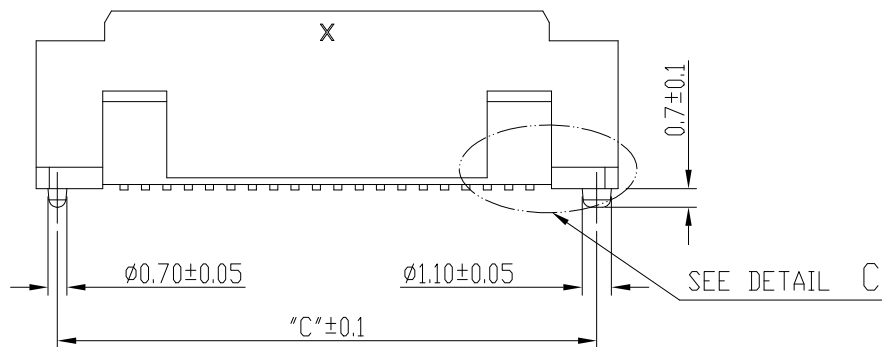
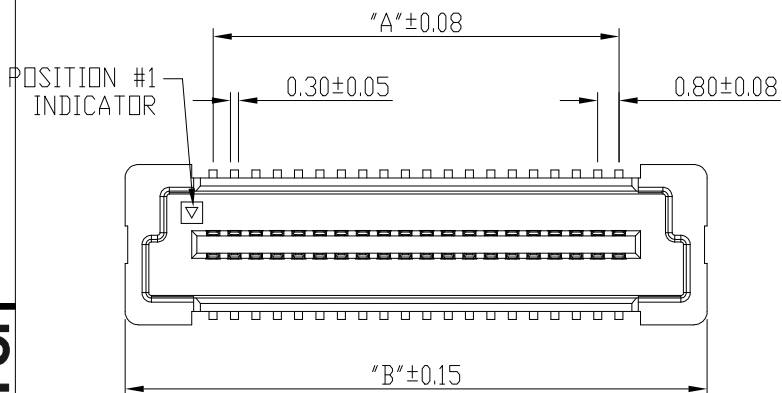
DETAIL BB



mat'l. code		surface ISO 1302 ✓		tolerance ISO 406 ISO 1101		projection		product family	
litr		ecn no		date		tolerances unless otherwise specified		BERGSTAK HPL545	
AG		GM		10/19/16		mm		title	
AH		ELX-N-25161		Bob		.0±.2		PLUG ASSY	
AJ		ELX-N-25201		Bob		.00±.15		BERGSTAK 0.8MM	
AK		ELX-N-26185		Bob		.000±.10		scale 1:1	
AL		ELX-N-26381		Bob		0°±3'		Amphenol FCI	
				dr		GuoMin Sun		10/21/14	
				engr		Bob Gu		03/17/17	
				chr		LQ Lei		03/17/17	
				appd		Tim Yao		03/17/17	
sheet index		revision sheet		AL 1~6				Amphenol FCI	
								dwg no 61083	
								sheet 3 of 6	
								size A3	
								type Product Customer Drawing	

© 2016 AFCI Amphenol FCI

PRODUCT NO.	NO. OF POSITION	DIMENSION		
		A	B	C
61083-043***	2X20	15.2	21.8	20.2
61083-063***	2X30	23.2	29.8	28.2
61083-083***	2X40	31.2	37.8	36.2
61083-103***	2X50	39.2	45.8	44.2
61083-123***	2X60	47.2	53.8	52.2
61083-143***	2X70	55.2	61.8	60.2
61083-163***	2X80	63.2	69.8	68.2
61083-183***	2X90	71.2	77.8	76.2
61083-203***	2X100	79.2	85.8	84.2

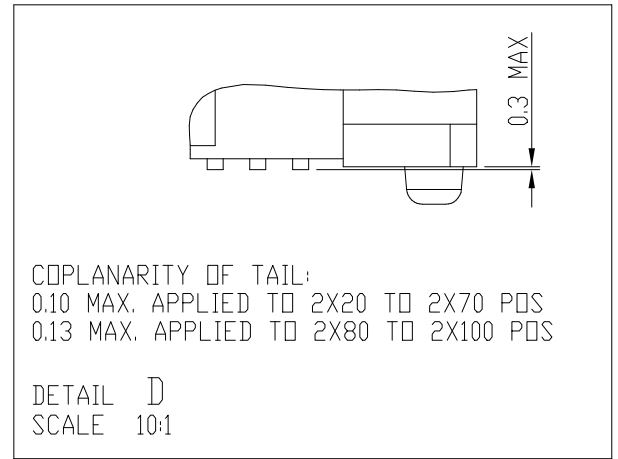
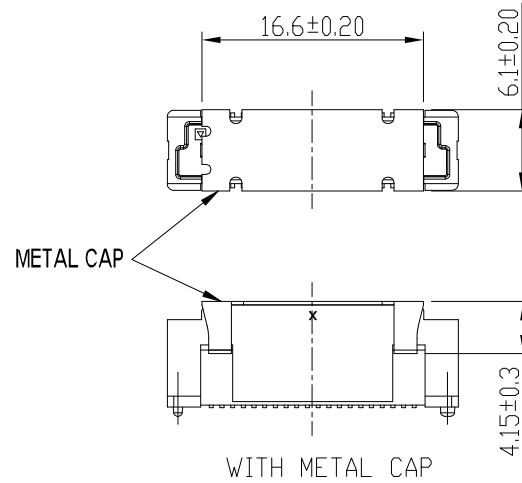
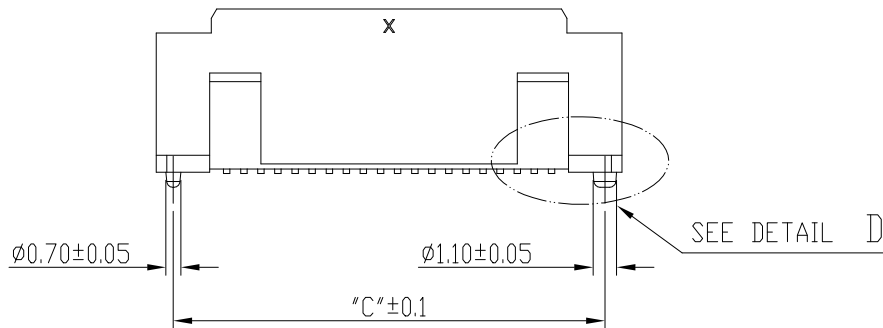
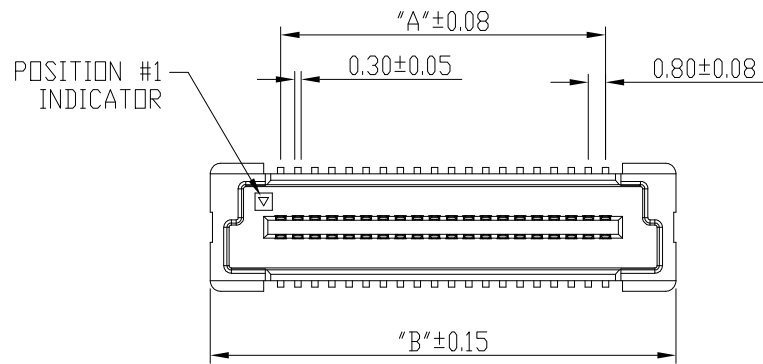


DATE CODE: XXXXXX
 DAY(01~31)
 MONTH(01~12)
 YEAR(00~99)

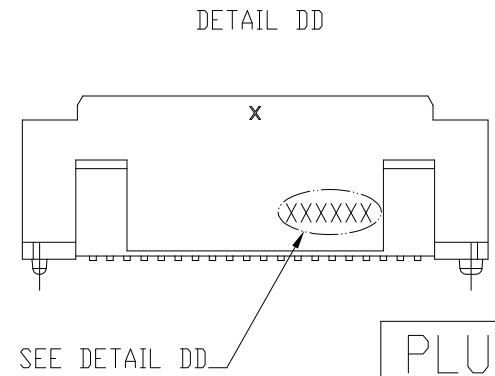
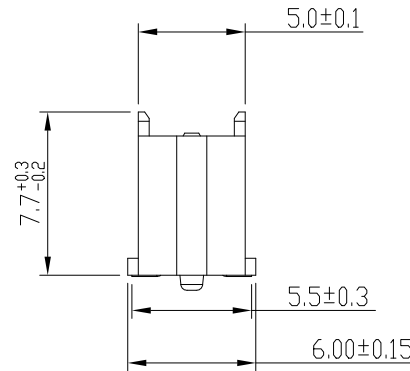
DETAIL CC

mat'l. code		surface ISO 1302 ✓	tolerance ISO 406 ISO 1101	projection	product family BERGSTAK HPL545
ltr	ecn no	dr	date	tolerances unless otherwise specified	title
AG		GM	10/19/16	angles linear .0±.2	PLUG ASSY BERGSTAK 0.8MM
AH	ELX-N-25161	Bob	10/19/16	0°±3'	scale 1:1
AJ	ELX-N-25201	Bob	12/29/16		mm
AK	ELX-N-26185	Bob	02/27/17	dr	GuoMin Sun 10/21/14
AL	ELX-N-26381	Bob	03/17/17	engr	Bob Gu 03/17/17
				chr	LQ Lei 03/17/17
				appd	Tim Yao 03/17/17
sheet index	revision sheet	AL 1~6			Amphenol FCI
					dwg no 61083 sheet 4 of 6 size A3
					type Product Customer Drawing

PRODUCT NO.	NO. OF POSITION	DIMENSION		
		A	B	C
61083-044***	2X20	15.2	21.8	20.2
61083-064***	2X30	23.2	29.8	28.2
61083-084***	2X40	31.2	37.8	36.2
61083-104***	2X50	39.2	45.8	44.2
61083-124***	2X60	47.2	53.8	52.2
61083-144***	2X70	55.2	61.8	60.2
61083-164***	2X80	63.2	69.8	68.2
61083-184***	2X90	71.2	77.8	76.2
61083-204***	2X100	79.2	85.8	84.2

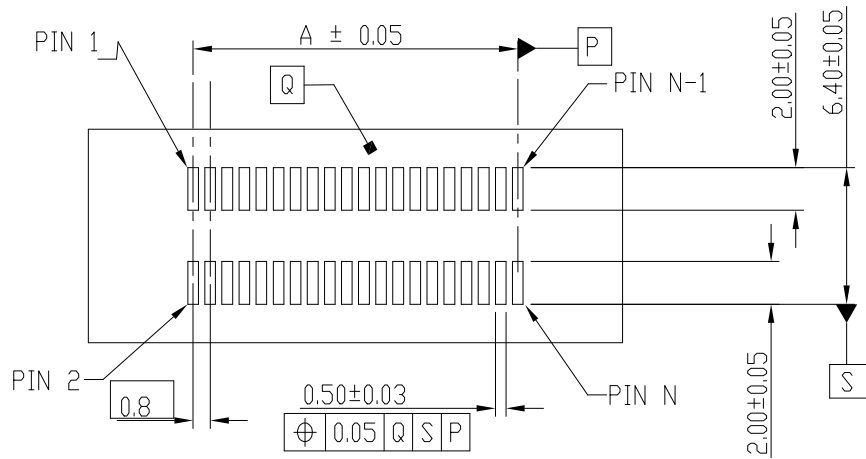


DATE CODE: XXXXXX
 DAY(01~31)
 MONTH(01~12)
 YEAR(00~99)

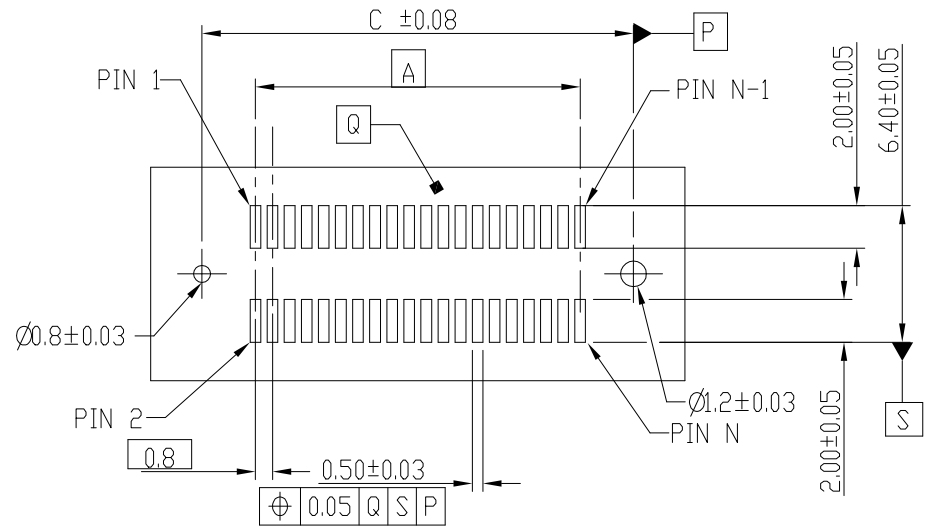


mat'l. code		surface ISO 1302 ✓		tolerance ISO 406 ISO 1101		projection		product family	
ltr		ecn no		date		tolerances unless otherwise specified		BERGSTAK HPL545	
AG		GM		10/19/16		mm		title	
AH		ELX-N-25161		Bob		.0±.2		PLUG ASSY	
AJ		ELX-N-25201		Bob		.00±.15		BERGSTAK 0.8MM	
AK		ELX-N-26185		Bob		.000±.10		scale 1:1	
AL		ELX-N-26381		Bob		0°±3'		dwg no	
				dr		GuoMin Sun		sheet 5 of 6	
				engr		Bob Gu		size	
				chr		LQ Lei		61083	
				appd		Tim Yao		A3	
sheet index		revision sheet		AL 1~6				type Product Customer Drawing	

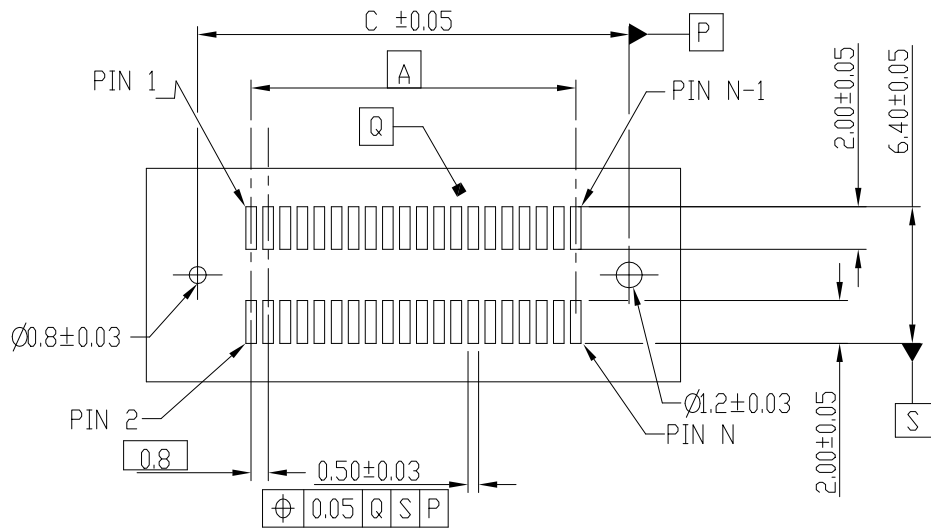
FOR PLUG 1/2/3/4



RECOMMENDED PCB LAYOUT WITHOUT PEG AND HOLDDOWN FOR NO. OF PDS 2X20, 2X30, 2X40, 2X50 2X60



RECOMMENDED PCB LAYOUT WITH PEG FOR NO. OF PDS 2X70, 2X80, 2X90, 2X100



RECOMMENDED PCB LAYOUT WITH PEG FOR NO. OF PDS 2X20, 2X30, 2X40, 2X50 2X60

mat'l. code				surface ISO 1302 ✓		tolerance ISO 406 ISO 1101		projection 1101		product family BERGSTAK HPL545	
ltr	ecn no	dr	date	tolerances unless otherwise specified				title			
AG		GM	10/19/16	angles	linear	.0±.2		PLUG ASSY			
AH	ELX-N-25161	Bob	10/19/16			.00±.15		BERGSTAK 0.8MM			
AJ	ELX-N-25201	Bob	12/29/16	0°±3°		.000±.10		scale 1:1		dwg no	
AK	ELX-N-26185	Bob	02/27/17	dr	GuoMin Sun	10/21/14		Amphenol FCI		sheet 6 of 6 size	
AL	ELX-N-26381	Bob	03/17/17	enrg	Bob Gu	03/17/17		61083		A3	
				chr	LQ Lei	03/17/17		type		Product Customer Drawing	
				appd	Tim Yao	03/17/17					
sheet index	revision	AL									
	sheet	1~6									

X-ON Electronics

Largest Supplier of Electrical and Electronic Components

Click to view similar products for [Board to Board & Mezzanine Connectors](#) category:

Click to view products by [FCT Electronics](#) manufacturer:

Other Similar products are found below :

[10135583-642402LF](#) [89885-310LF](#) [589158040000018](#) [6-1393048-0](#) [68683-613](#) [MDF7-12DP-2.54DSA](#) [MDF7-18P-2.54DSA\(01\)](#) [MDF7-20DP-2.54DSA](#) [MDF7-26D-2.54DSA\(55\)](#) [MDF7-3P-2.54DSA\(01\)](#) [MDF7B-3P-2.54DSA\(55\)](#) [MDF7C-11P-2.54DSA\(55\)](#) [MDF7C-18P-2.54DSA\(55\)](#) [MDF7C-5P-2.54DSA\(01\)](#) [MDF7P-5P-2.54DSA\(55\)](#) [75234-0516](#) [FCN-230C068-11](#) [FCN-268F012-G/BD](#) [FCN-268F036-G/BD](#) [FCN-268M012-G/0D](#) [FCN-268M024-G/1D](#) [FCN-360C008-C](#) [FCN-360C040-C](#) [FCN-723J004/1](#) [MIS-048-01-F-D-DP-K](#) [832-10-034-10-001000](#) [93696-325LF](#) [11828-1FA](#) [AXK630345P](#) [18097-0013](#) [ICA-328STT](#) [2007042-2](#) [304400-2](#) [FCN-214Q030-G/0](#) [FCN-215Q040-G/0](#) [FCN-230C068-ESA](#) [FCN-234P048-G/0](#) [FCN-235D050-G/C](#) [FCN-360A3](#) [FCN-360C040-B](#) [210-93-314-41-105000](#) [2-22603-0](#) [379-064-521-202](#) [MDF7-12P-2.54DSA\(01\)](#) [MDF7-16P-2.54DS\(56\)](#) [MDF7-40DP-2.54DSA\(55\)](#) [MDF7-8P-2.54DSA\(55\)](#) [MDF7B-16P-2.54DSA\(55\)](#) [AXG720047](#) [5031084030](#)