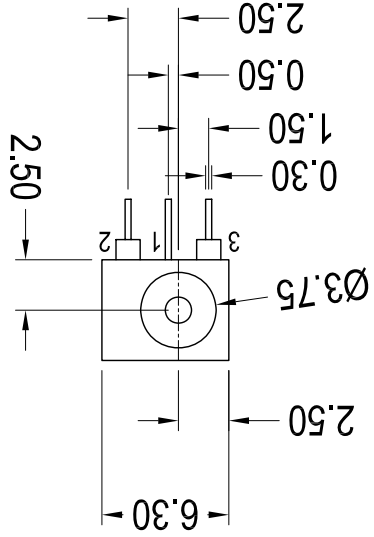
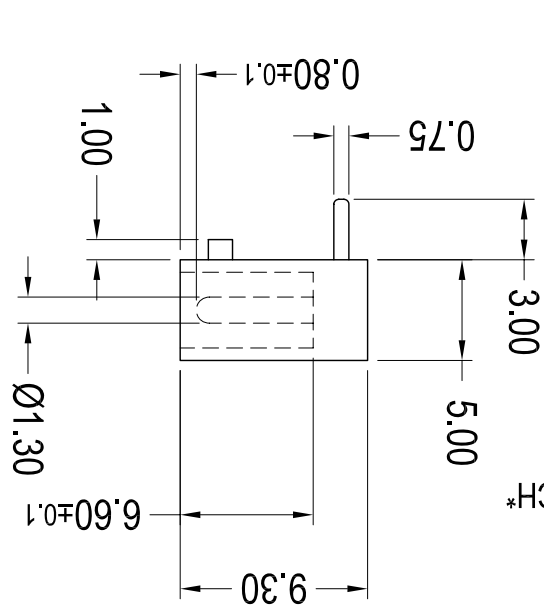
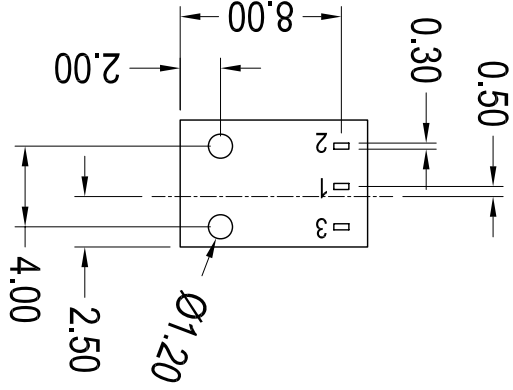
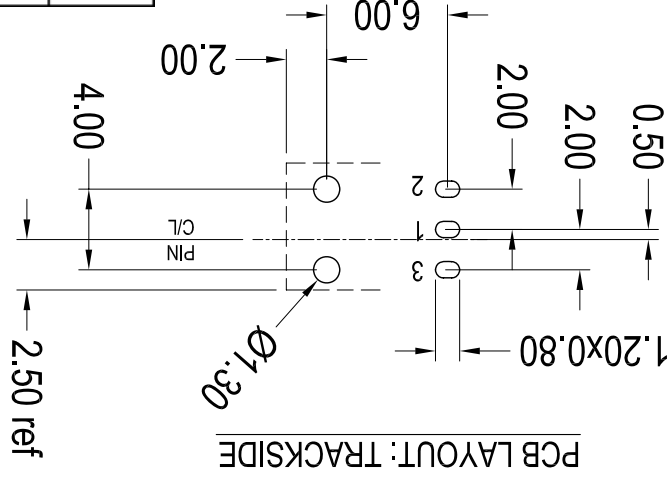
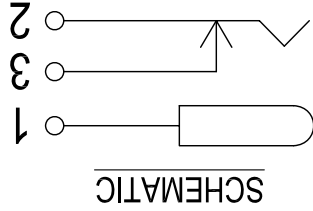


NOTE:

THIS PART IS SIMILAR TO FC68145 - DC8  
 \*BUT PIN ORIENTATION AND PCB LAYOUTS DO NOT MATCH\*



ITEM	DESCRIPTION	QTY	MATERIAL	FINISH
1	Ø1.3 PIN	1	0.3T BRASS	SILVER PLATED
2	SLEEVE SPRING	1	0.3T BERYLLIUM	SILVER PLATED
3	PIN TERMINAL	1	0.3T BRASS	SILVER PLATED
4	HOUSING + COVER	1	PBT	BLACK

**Cliff Electronic Components Ltd.**  
 76 Holmechrope Avenue, Holmechrope Industrial Estate,  
 Redhill, Surrey, RH1 2PF, England, UK  
 Tel: 01737-771375 Fax: 01737-766012 Website: www.cliffuk.co.uk

THE CONTENTS OF THIS DOCUMENT MUST NOT BE COPIED OR DISCLOSED  
 TO A 3rd PARTY WITHOUT WRITTEN PERMISSION OF CLIFF UK. © 2010

DRAWN: T.J.O.

APPROVED: D.P.J.

DRWG. No.

**FC681455**

FORM: A4DRWGH

FINISH: AS MOULDED / MICROFINISH

MATERIAL: SEE TABLE

TITLE: NARROW DC POWER SOCKET (1.3mm PIN)

3rd ANGLE PROJECTION:

DO NOT SCALE

TOLERANCE  
 NO DEC. PLACE ±  
 1 DEC. PLACE ±  
 2 DEC. PLACE ±  
 HOLE Ø ±  
 ANGLES ±  
 UNLESS OTHERWISE STATED



SPECIFICATIONS  
 a) CONTACT RESISTANCE: 30mΩ max  
 b) INSULATION RESISTANCE: 100MΩ min @ DC 500V  
 c) DIELECTRIC WITHSTANDING VOLTAGE: AC 500V for 1minute

ISS.	AMEND	DATE
1	1st DRAWN	17/02/10

## X-ON Electronics

Largest Supplier of Electrical and Electronic Components

*Click to view similar products for [DC Power Connectors](#) category:*

*Click to view products by [Cliff](#) manufacturer:*

Other Similar products are found below :

[1600206-1](#) [163-0301-EX](#) [163-0302](#) [163-0308-EX](#) [163-0310-EX](#) [163-1061-EX](#) [163-1100-EX](#) [163-4024](#) [163-4117-EX](#) [163-4118-EX](#) [163-5005-E](#) [163-7421](#) [163-MJ22-EX](#) [171-0721-EX](#) [171-0725-EX](#) [171-3118-EX](#) [171-3210-E](#) [171-3221-EX](#) [171-3222-EX](#) [171-A1326-EX](#) [173-23507-ST-EX](#) [173-5521TIP-EX](#) [173-6330TIP-EX](#) [KLDVX-SMT-02-ATR](#) [KLDX-0201-AHT-1](#) [KLDX-0202-AHT](#) [KLDX-SMT-0202-BP](#) [KLDX-SMT-0202-BPTR](#) [163-0179-EX](#) [163-0307-E](#) [163-0309-EX](#) [163-4007-EX](#) [163-4015-EX](#) [163-4025](#) [163-4119-E](#) [163-4303-E](#) [16PJ101-EX](#) [171-0702-EX](#) [171-0722-E](#) [171-0726-EX](#) [171-2122-EX](#) [171-3216-EX](#) [171-3218-EX](#) [171-3219-EX](#) [171-3220-EX](#) [171-7391](#) [173-3413-ST-EX](#) [173-4017-ST-EX](#) [RAPCBRK](#) [K596](#)