

规格书

Specification

品名
Model name

QMB-09B-05

PROPRIETARY
Huaneng Electronic co.,Ltd.

CONFIDENTIAL
Huaneng Electronic co.,Ltd.

| | |
|------------------------------|--|
| Version # | Spec V1.0 |
| 制作日期 Date | 2019/7/19 |
| 准备 Prepared | Yang shu yin Acoustic specialist,R&D Dept. |
| 审核 Approved | Zhang chang hua Executive Manager,R&D Dept. |



江苏华能电子有限公司

Components Operating Div.
HuanengElectronic co.,Ltd.

1.适用范围：本规范适用于QMB-09B-05蜂鸣器。

This specifications apply the QMB-09B-05 buzzer.

2.基本规格/General specification

| 项目/Item | 规格/Spec | 条件/Condition |
|--|----------|--|
| 1 额定电压 Rated voltage | 5VAC | |
| 2 工作电压 Operation voltage | 3-7VAC | |
| 3 声压 Sound Pressure Level=SPL | Min 80dB | 测试环境：标准状态，标准驱动电路， 额定电压 测试距离：0.1m Standard State,Standard Drive Circuit. Rated voltage,Distance at 0.1m |
| 4 平均消费电流 Average consumption current | Max 60mA | |
| 5 振荡频率 Oscillation frequency | 2700Hz | |
| 6 阻抗 Resistance | 42±3Ω | |
| 7 工作温度范围 Range of operation temperature | -20+70°C | 声压 ≥80dB SPL ≥80dB |
| 8 保存温度范围 Range of preservation temperature | -30+85°C | |
| 9 端子强度 Terminal strength | 10N | 拉负荷方向的终端轴 Pull load on the direction of the terminal axis |
| 10 外部尺寸 Externals size | Φ9*5.5 | 参阅附图 Refer to the attached drawing |
| 11 重量 Mass | 1g | |

☆标准状态：常温（15~35°C），湿度（25~85%相对湿度），空气压力（860~1060hpa）

在假设的情况判断，测试是一基本状态下进行。

Standard State: Ordinary Temp(15~35°C), Humidity(25~85%RH), Air pressure(860~1060hPa)

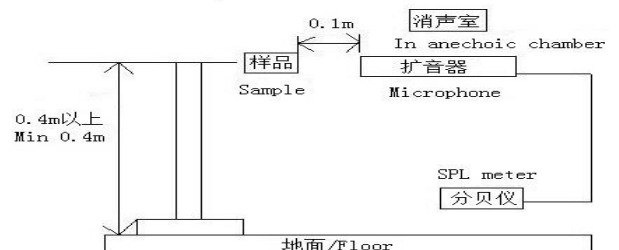
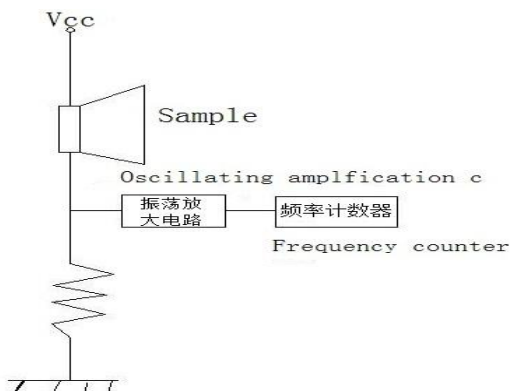
In case of doubtful judgment, the test is re-performed under Basic State.

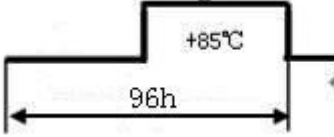
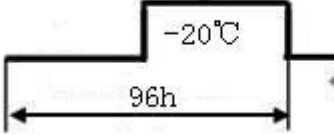
☆基本情况：温度。（20±2°C），湿度（60~70%相对湿度），空气压力（860~1060hpa）

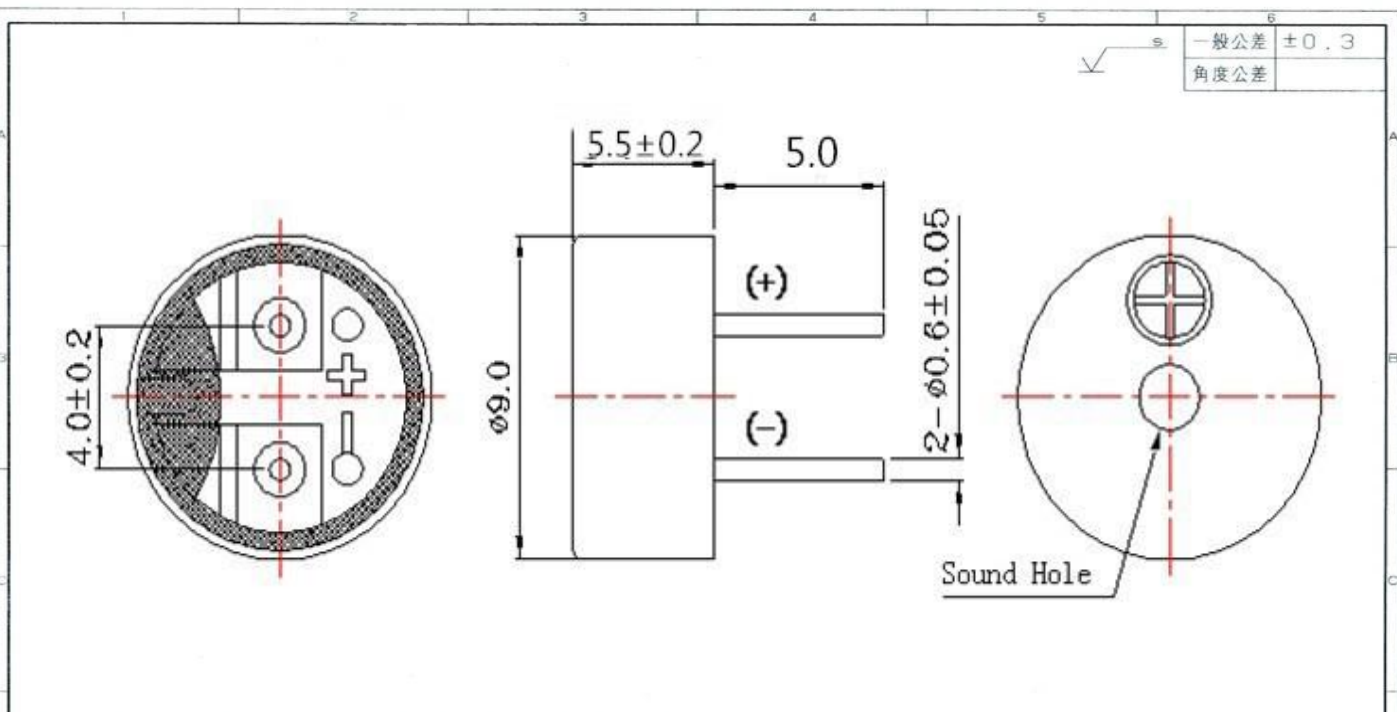
Basic State: Temp.(20±2°C), Humidity(60~70%RH), Air pressure(860~1060hPa)

<标准驱动电路>/<Standard Drive Circuit>

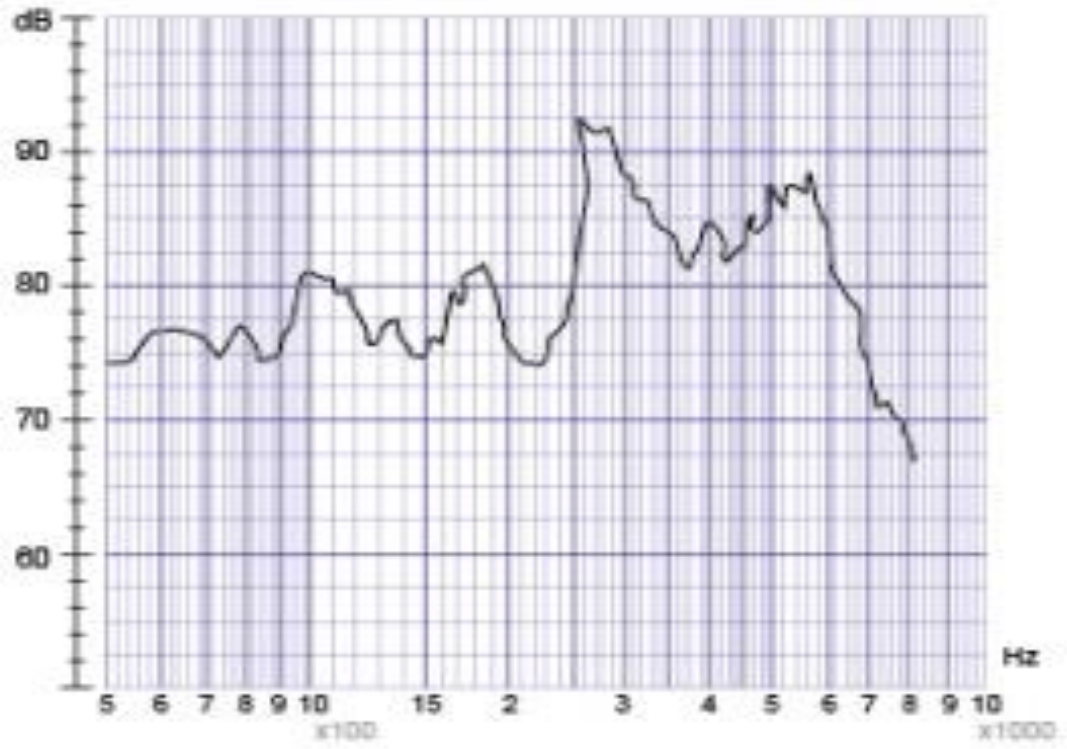
<标准测试治具>/<Standard Test Fixture>



| 项目/Item | | 试验条件/Test condition | 判断标准/Criteria | 引用规格 |
|---------|---|---|---|------|
| 1 | 高温保存试验 High temperature Preservation | +85℃环境下放置24小时 Exposure to +85℃ for 24 hrs. | 经过测试,符合规格,没有任何不合格的外观和性能 After the test the part shall meet specifications without any degradation. | |
| 2 | 低温保存试验 Low temperature preservation | -20℃环境下放置24小时 Exposure to -40℃ for 24 hrs. | | |
| 3 | 高温试验 High temperature Shock |  | | |
| 4 | 低温试验 Low temperature Shock |  | | |
| 5 | 常温寿命试验 Ordinary Temp. Life | 常温(25℃±10℃)电压5vAC连续测试48小时 Driving the sounder at 5vAC for 48hrs in the room temperature(25℃±10℃) | | |
| 6 | 高温寿命试验 High Temp. Life | 高温(+85℃)电压5VAC连续测试2小时 Driving the sounder at 5VAC for 2hrs in the low temperature(+85℃) | | |
| 7 | 低温寿命试验 Low Temp. Life | 低温(-20℃)电压5VAC连续测试2小时 Driving the sounder at 5VAC for 2hrs in the low temperature(-20℃) | | |
| 8 | 端子拉力试验 Lead strength | 10N的拉力在端子上拉10±1秒 Pull load on the direction of the terminal axis for 10±1 sec. | | |
| 9 | 跌落试验 Free drop | 70cm高自由掉落到厚40mm的木板上,每个方向一次 Free drop, 70cm height, on wood board (t40mm) X, Y, Z 3Direction 1time each, total 3times. | | |
| 10 | 端子可焊性试验 Solderability | 260±5℃焊接温度。时间: 5±0.5sec。 Soldering into solderbath:Solder Temp. 260±5℃ Soaking Time: 5±0.5sec | 端子95%必须覆盖着焊料 95% surface of lead pins must be covered with fresh solder and no soldering holes should be found | |



| | | | | | | | | |
|------------|--------------------|-------------------------|----------------|-----|--------------------|-------------|--------------|-----------------|
| | | | 审批 APPROVED | 张长华 | 材料 MATERIAL | PBT | 制造日期 DATE | 出图日期 |
| | | | 检查 CHECKED | 杨树银 | 加工 TREATMENT | | 品名 NAME | APPEARANCE DRWG |
| | | | 设计 DESIGNED | | 表面处理 SURF. FIN. | | | 产品名称 |
| 日期 DATE | 变更号码 CHANGE NO. | 变更内容 CHANGE CONTENTS | 制图 DRAWN | | 第三角法 | 尺度 SCALE | 2/1 | 品号 CODE NO. |



X-ON Electronics

Largest Supplier of Electrical and Electronic Components

Click to view similar products for [Audio Indicators & Alerts](#) category:

Click to view products by [Huaneng](#) manufacturer:

Other Similar products are found below :

[M2BJ-BH24E](#) [6-4](#) [68S1240-PA](#) [MBA-624](#) [F/BC 40P-DR LF](#) [FDG111PLF](#) [F/NRMB 24 BLACK LF](#) [PF-35N29WQ](#) [PFD-27A35PQ](#) [PL-27A35PSQ](#) [PS-531Q](#) [AB2020B-2-LW1](#) [EBPT-401](#) [PB06SD12AP](#) [PB-1220PEQ](#) [S6109](#) [SC2036ACP](#) [SC616N-2](#) [SC628FW](#) [SC628MPG](#) [SC648D](#) [SCS045MD9DT3S](#) [AB2025B-LW50-R](#) [ESZ-25B-5-250B](#) [F/BC 35-DR LF](#) [FCM12PLF](#) [F/EB20P-DR LF](#) [F/HU110MP24V-IP67B LF](#) [AI-2835-TF-LW150-2-R](#) [AI-4228-TF-LW305-R](#) [FSMD8585JSLF](#) [FSS-26T](#) [F/SU 21-02 LF](#) [F/TCW 05 WITH LABEL LF](#) [F/UCW 03 WITH LABEL LF](#) [F/UCW 06 WITH LABEL LF](#) [PKM22EPPH40S1-B0](#) [PKM35-4A0](#) [PL-35N29WQ](#) [PLD-27A35PQ](#) [PS-552Q](#) [CM-5](#) [M2BJ-BH24E-D](#) [REF-202](#) [LSC628ANR](#) [5-100](#) [PAL-328](#) [03-810.001](#) [RTO-1R07-001](#) [PL-21N31PQ](#) [PF-27A25PSQ](#)