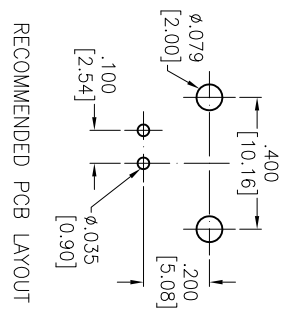
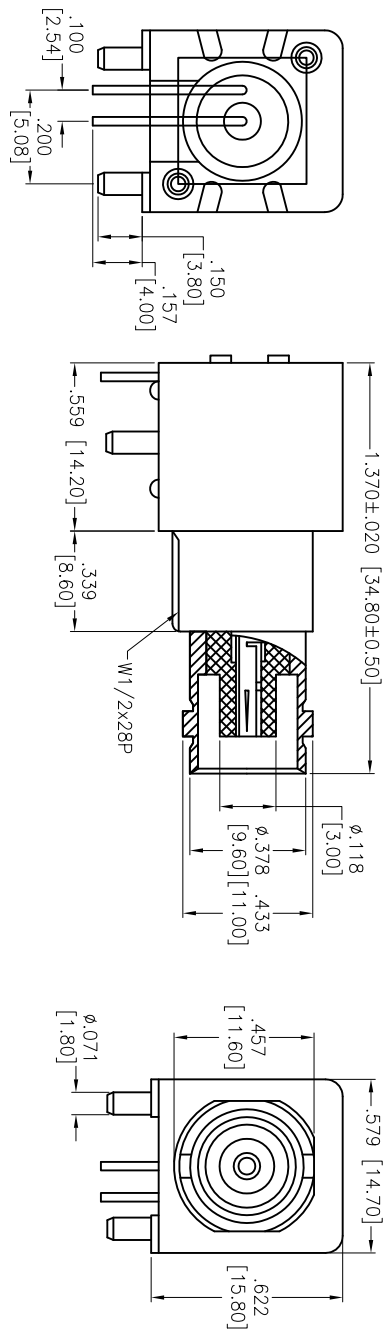


Rev	AWO #	Description	Date	Appr
-		RELEASED	2/13/14	

APPROVED: \_\_\_\_\_  
 DATE: \_\_\_\_\_ TITLE: \_\_\_\_\_



DESCRIPTION	MATERIAL	FINISH
FIXTURE	BRASS	TIN
CONTACT PIN	PHOSPHOR BRONZE	GOLD
CENTER CONTACT	BRASS	TIN
CONTACT WIRE	BRASS	TIN
INSULATOR	POM	NONE
BODY	ZINC COPPER	NICKEL
HOUSING	PBT	BLACK
DESCRIPTION	MATERIAL	FINISH

**SPECIFICATIONS:**

**Electrical:**  
 Nominal Impedance: 75 ohms  
 Frequency range: 0-1 GHz  
 Working Voltage: 500 VRMS max.  
 Dielectric Withstanding Voltage: 1500 VRMS min.  
 Contact Resistance: 3 Milliohms max. (Center Contact)  
 2 Milliohms max. (Outer Contact)  
 Insulator Resistance: 5000 Megohms min.  
**Environmental:**  
 Lead free, RoHS compliant.



**ADAM TECH**

909 Rahway Avenue, Union, NJ 07083  
 Phone: 908-687-5000 Fax: 908-687-5710

TITLE: RF CONNECTOR, BNC TYPE, RIGHT ANGLE  
 75 ohm, PCB MOUNT, COLOR BLACK

UNLESS OTHERWISE SPECIFIED ALL DIMENSIONS ARE MM [INCHES] TOLERANCES: EXCEPT AS NOTED INCHES		HOLE SIZE	
.X	± .10	$\phi$ X	± .10
.XX	± .020	$\phi$ XXX	± .015
.XXX	± .015	$\phi$ XXXX	± .010
APPROVALS		DATE	
DRAWN	AY	2/13/14	
CHECKED	GC	2/13/14	
APPROVED			

REF: S00049T	SCALE: NTS	SHEET 1 OF 1
SIZE X	PART NO. RF1-01B-D-00-75	REV. -

## X-ON Electronics

Largest Supplier of Electrical and Electronic Components

*Click to view similar products for [RF Adapters - In Series](#) category:*

*Click to view products by [Adam](#) manufacturer:*

Other Similar products are found below :

[5919-1503-000](#) [5919-9503-000](#) [651A505](#) [7122-1502-000](#) [9030-9523-502](#) [932A505](#) [PN2C](#) [A0407000](#) [R114703000](#) [R114703000W](#)  
[R114753000](#) [R125704000](#) [R127871001](#) [R141704000W](#) [R141710000W](#) [R141723161](#) [R141730000](#) [R141770000](#) [R142704000W](#)  
[R142720000](#) [R142720700](#) [R143730700](#) [R143770000](#) [R161703000W](#) [R161730000](#) [R161730000W](#) [R161753000W](#) [R161791530W](#)  
[R176770000](#) [R201705000](#) [R222705200](#) [R222M40010W](#) [R222M40050](#) [R223703020](#) [R223703080](#) [R300.124.403](#) [R316754000](#) [AD78TL](#)  
[HRM-513S](#) [1996352-2](#) [2157155-1](#) [2101130-1](#) [R114704000W](#) [R114720000W](#) [R125705000](#) [R125705001](#) [R125705701](#) [R125771000](#)  
[R125791501W](#) [R127703001](#)