

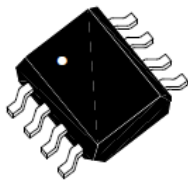
## P-Channel Enhancement-Mode MOSFET(-30V, -5.3A)

### PRODUCT SUMMARY

V <sub>DSS</sub>	I <sub>D</sub>	R <sub>DS(on)</sub> (m-ohm) Max
-30V	-5.3A	60 @ V <sub>GS</sub> = -10 V, I <sub>D</sub> =-5.3A
		90 @ V <sub>GS</sub> = -4.5V, I <sub>D</sub> =-4.2A

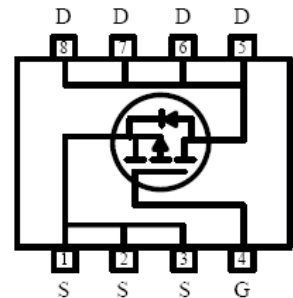
### ◆ Features

1. Advanced Trench Process Technology.
2. High Density Cell Design for Ultra Low On-Resistance.
3. Fully Characterized Avalanche Voltage and Current.
4. Improved Shoot-Through FOM.
5. RoHS Compliant.






**SOP-8**

Pin 1 / 2 / 3: Source  
 Pin 4: Gate  
 Pin 5 / 6 / 7 / 8: Drain



### ◆ Ordering Information

Ordering Number		Package	Pin Assignment			Packing
Lead Free	Halogen Free		4	1/2/3	5/6/7/8	
SM9435PRL	SM9435PRG	SOP-8	G	S	D	Tape Reel
<p style="text-align: center;">SM9435X X X</p> <p>(1)Package Type </p> <p>(2)Packing Type </p> <p>(3)Lead Free </p>		<p>(1) P: SOP-8</p> <p>(2) R: Tape Reel</p> <p>(3) G: Halogen Free; L: Lead Free</p>				

## ◆ Absolute Maximum Ratings ( $T_A=25^\circ\text{C}$ , unless otherwise noted)

Symbol	Parameter	Ratings	Units
$V_{DS}$	Drain-Source Voltage	-30	V
$V_{GS}$	Gate-Source Voltage	$\pm 20$	V
$I_D$	Drain Current (Continuous) <sup>a</sup>	-5.3	A
$I_{DM}$	Drain Current (Pulsed) <sup>b</sup>	-20	A
$P_D$	Total Power Dissipation @ $T_A=25^\circ\text{C}$	2.5	W
$T_j, T_{stg}$	Operating Junction and Storage Temperature Range	-55 to +150	$^\circ\text{C}$
$R_{\theta JA}$	Thermal Resistance Junction to Ambient (PCB mounted) <sup>c</sup>	62.5	$^\circ\text{C/W}$

a:Fused current that based on wire numbers and diameter

b:Repetitive Rating: Pulse width limited by the maximum junction temperature

c:1-in<sup>2</sup> 2oz Cu PCB board

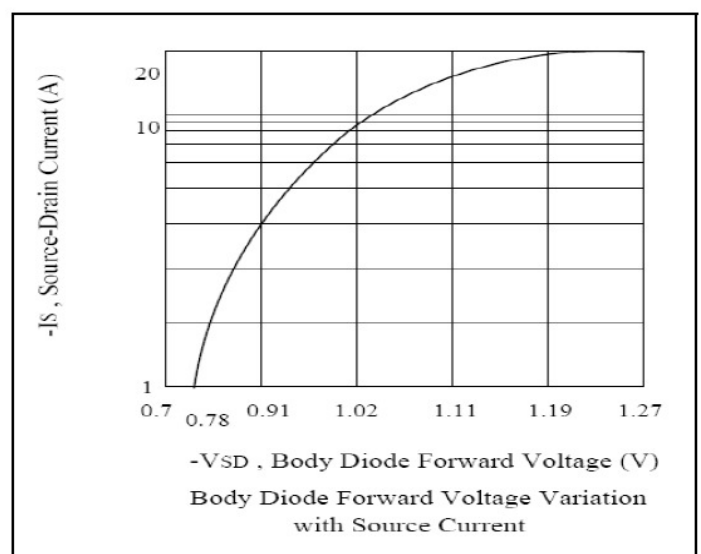
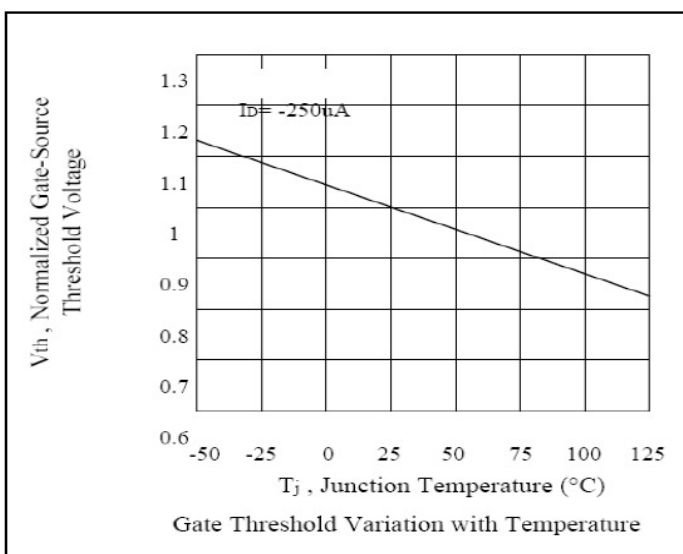
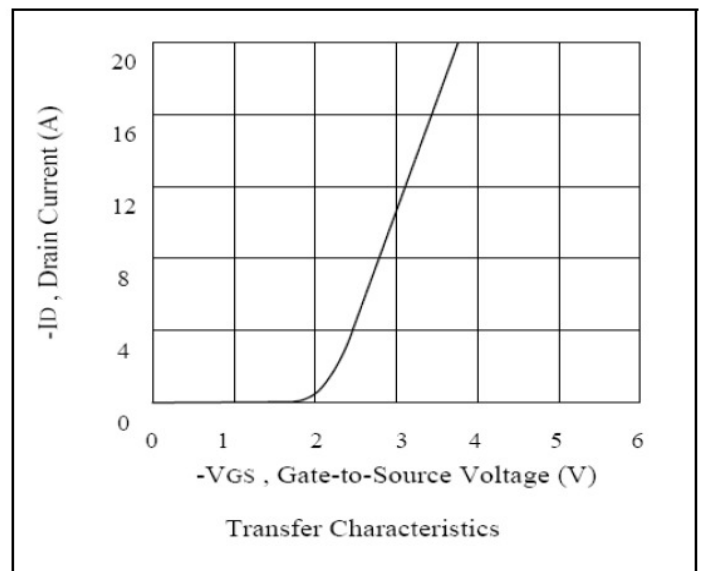
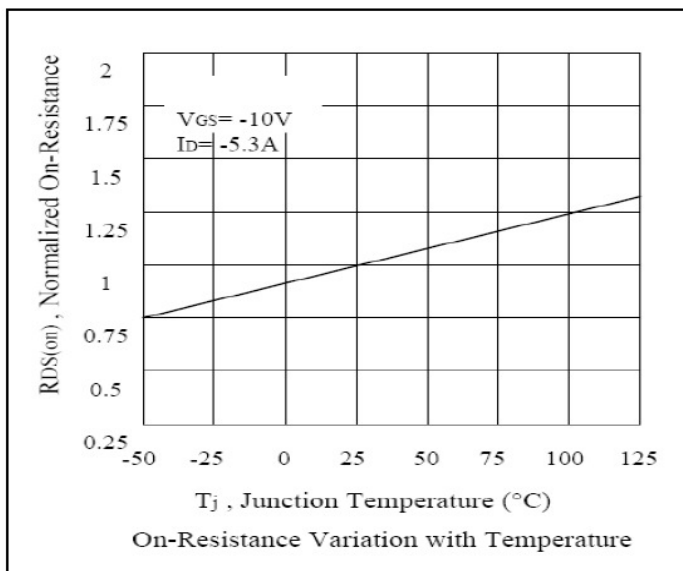
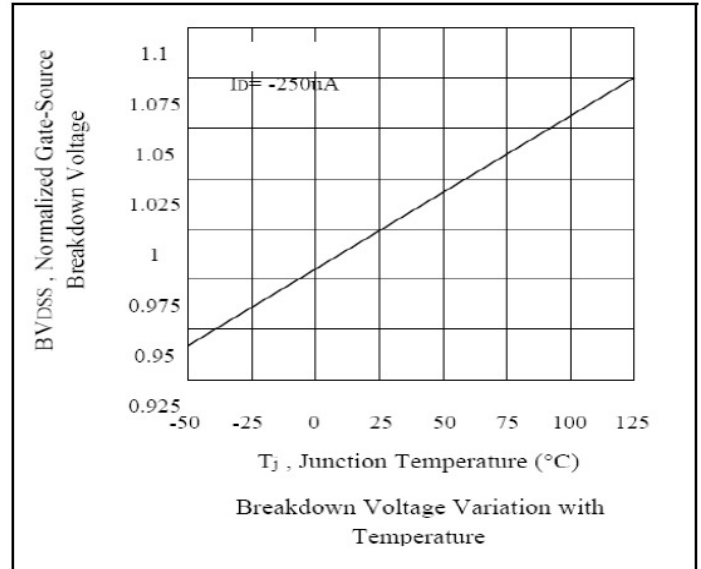
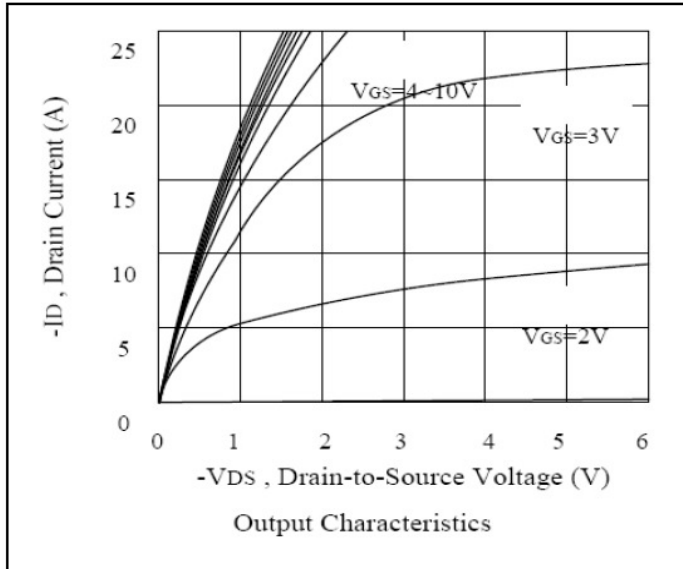
## ◆ Electrical Characteristics ( $T_A=25^\circ\text{C}$ , unless otherwise noted)

Symbol	Parameter	Conditions	Min.	Typ.	Max.	Unit
<b>• Off Characteristics</b>						
$BV_{DSS}$	Drain-Source Breakdown Voltage	$V_{GS}=0V, I_D=-250\mu\text{A}$	-30	-	-	V
$I_{DSS}$	Zero Gate Voltage Drain Current	$V_{DS}=-24V, V_{GS}=0V$	-	-	-1	$\mu\text{A}$
$I_{GSS}$	Gate-Body Leakage Current	$V_{GS}=\pm 20V, V_{DS}=0V$	-	-	$\pm 100$	nA
<b>• On Characteristics</b>						
$V_{GS(th)}$	Gate Threshold Voltage	$V_{DS}=V_{GS}, I_D=-250\mu\text{A}$	-1	-	-3	V
$R_{DS(on)}$	Drain-Source On-State Resistance	$V_{GS}=10V, I_D=-5.3A$	-	-	60	m $\Omega$
		$V_{GS}=-4.5V, I_D=-4.2A$	-	-	90	
<b>• Dynamic Characteristics<sup>d</sup></b>						
$C_{iss}$	Input Capacitance	$V_{DS}=-15V, V_{GS}=0V, f=1\text{MHz}$	-	971.77	-	pF
$C_{oss}$	Output Capacitance		-	235.06	-	
$C_{riss}$	Reverse Transfer Capacitance		-	82.97	-	
<b>• Switching Characteristics<sup>d</sup></b>						
$Q_g$	Total Gate Charge	$V_{DS}=-15V, I_D=-5.3A, V_{GS}=-10V$	-	18.13	-	nC
$Q_{gs}$	Gate-Source Charge		-	2.37	-	
$Q_{gd}$	Gate-Drain Charge		-	3.2	-	
$t_{d(on)}$	Turn-on Delay Time	$V_{DS}=-15V, R_L=15\Omega, V_{GEN}=-10V, I_D=-1A, R_G=6\Omega$	-	12.67	-	nS
$t_r$	Turn-on Rise Time		-	8.67	-	
$t_{d(off)}$	Turn-off Delay Time		-	41.13	-	
$t_f$	Turn-off Fall Time		-	7	-	
<b>• Drain-Source Diode Characteristics</b>						
$I_S$	Maximum Diode Forward Current		-	-	-2.6	A
$V_{SD}$	Drain-Source Diode Forward Voltage	$V_{GS}=0V, I_S=-2.6A$	-	-	-1.3	V

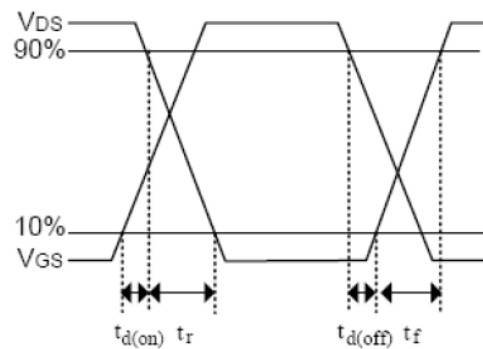
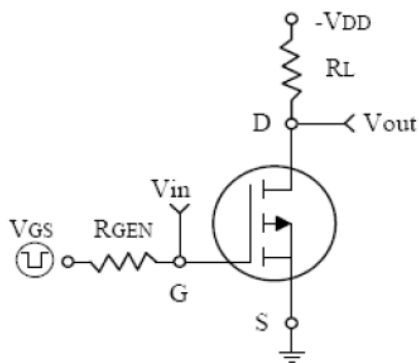
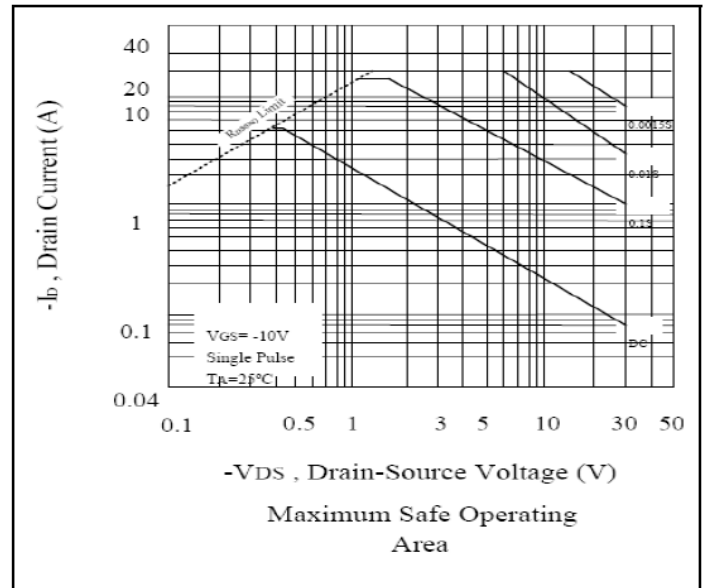
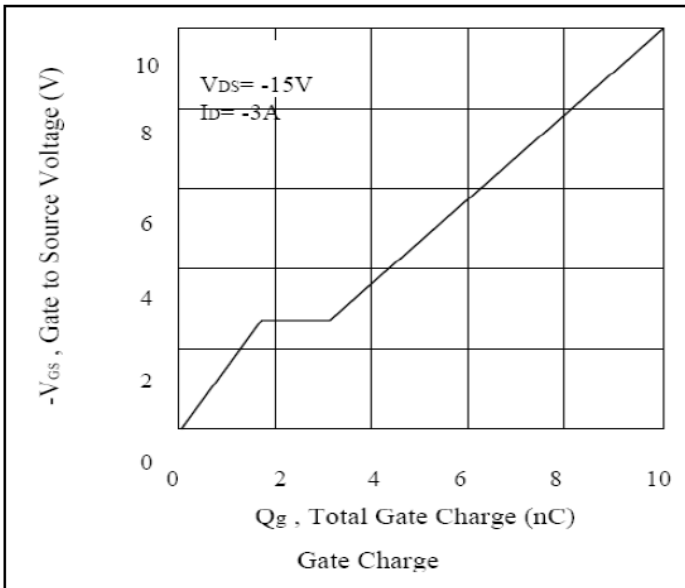
Note: Pulse Test: Pulse Width  $\leq 300\mu\text{s}$ , Duty Cycle  $\leq 2\%$

d: Guaranteed by design: not subject to production testing

## ◆ Characteristics Curve



## ◆ Characteristics Curve



Switching Test Circuit and Switching Waveforms

## X-ON Electronics

Largest Supplier of Electrical and Electronic Components

*Click to view similar products for [MOSFET](#) category:*

*Click to view products by [SPS](#) manufacturer:*

Other Similar products are found below :

[614233C](#) [648584F](#) [MCH3443-TL-E](#) [MCH6422-TL-E](#) [FDPF9N50NZ](#) [FW231A-TL-E](#) [APT5010JVR](#) [NTNS3A92PZT5G](#) [IRF100S201](#)  
[JANTX2N5237](#) [2SK2464-TL-E](#) [2SK3818-DL-E](#) [FCA20N60\\_F109](#) [FDZ595PZ](#) [STD6600NT4G](#) [FSS804-TL-E](#) [2SJ277-DL-E](#) [2SK1691-DL-](#)  
[E](#) [2SK2545\(Q,T\)](#) [D2294UK](#) [405094E](#) [423220D](#) [MCH6646-TL-E](#) [TPCC8103,L1Q\(CM](#) [367-8430-0972-503](#) [VN1206L](#) [424134F](#) [026935X](#)  
[051075F](#) [SBVS138LT1G](#) [614234A](#) [715780A](#) [NTNS3166NZT5G](#) [751625C](#) [873612G](#) [IRF7380TRHR](#) [IPS70R2K0CEAKMA1](#)  
[RJK60S3DPP-E0#T2](#) [RJK60S5DPK-M0#T0](#) [APT5010JVFR](#) [APT12031JFLL](#) [APT12040JVR](#) [DMN3404LQ-7](#) [NTE6400](#) [JANTX2N6796U](#)  
[JANTX2N6784U](#) [JANTXV2N5416U4](#) [SQM110N05-06L-GE3](#) [SIHF35N60E-GE3](#) [2SK2614\(TE16L1,Q\)](#)