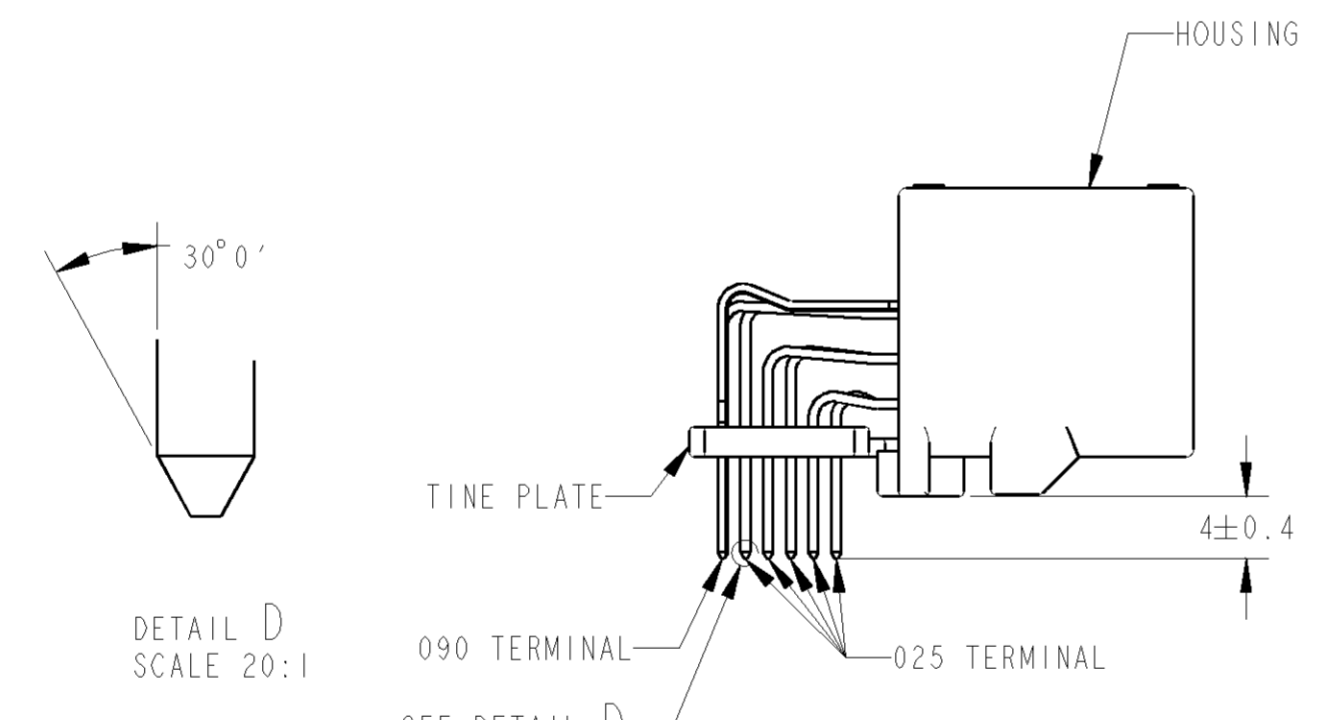
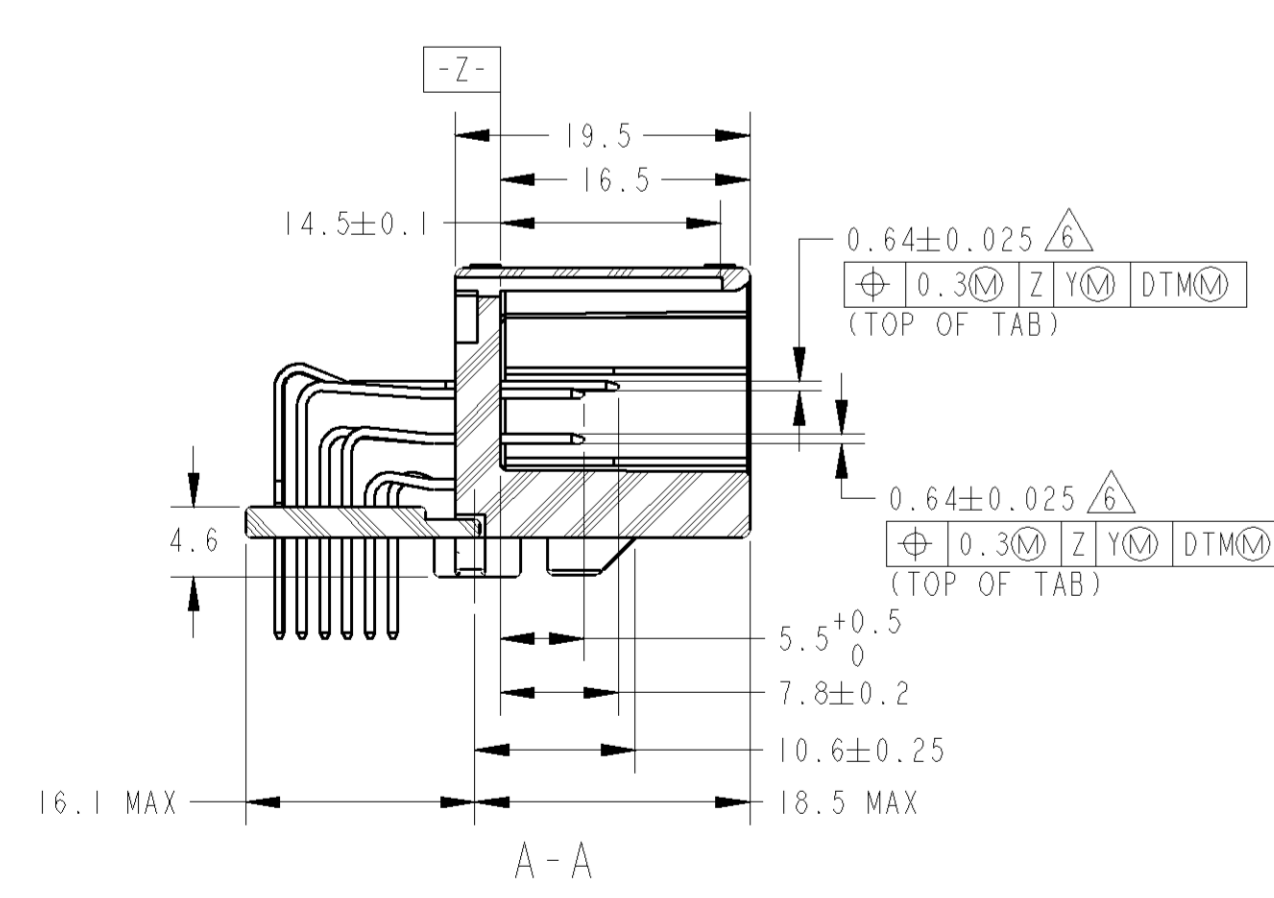
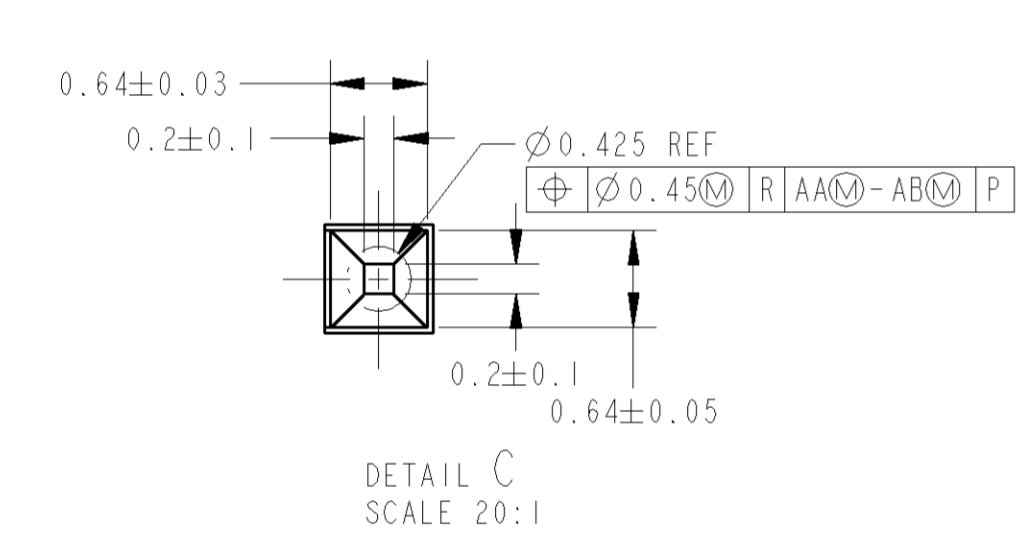
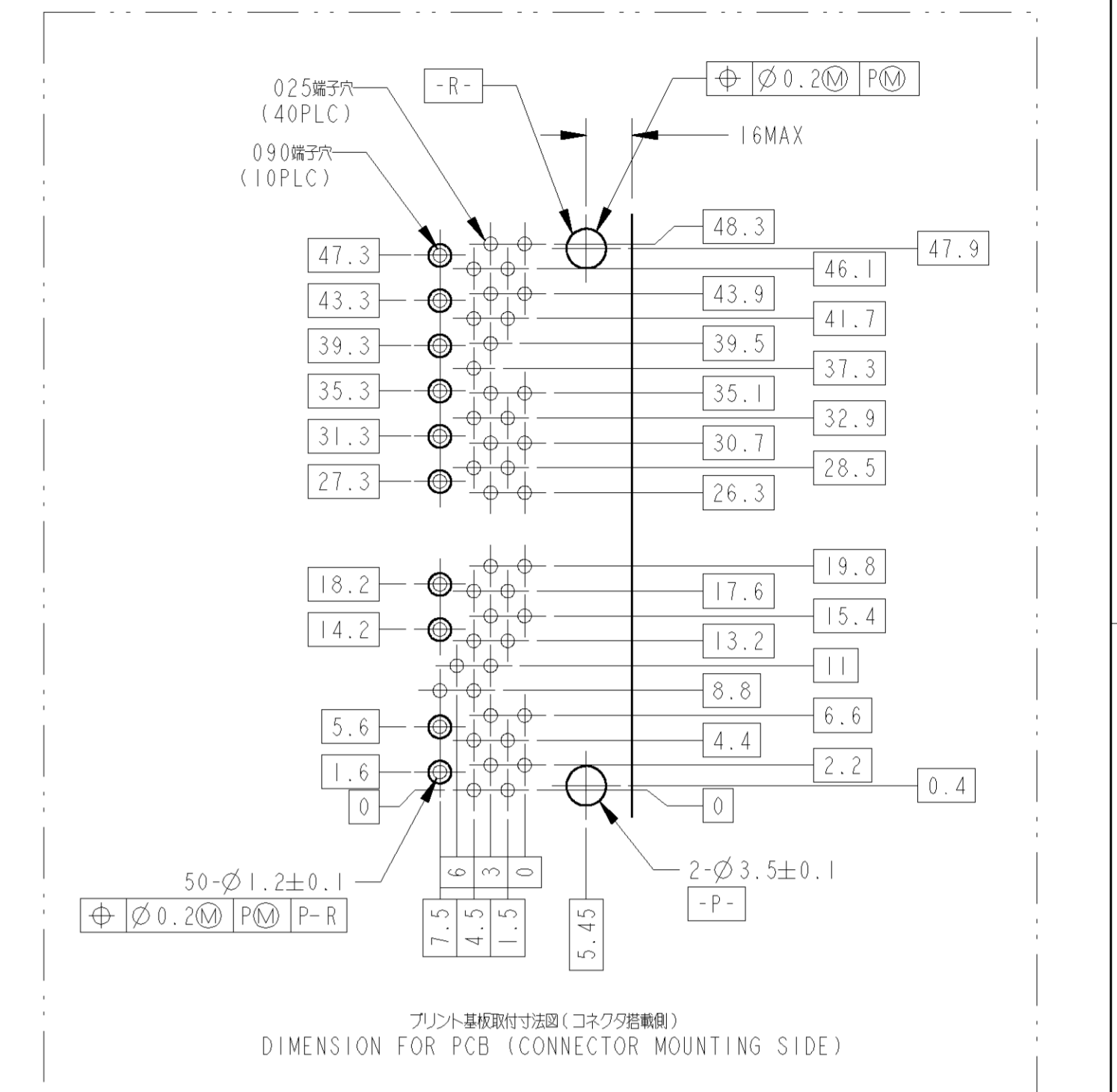
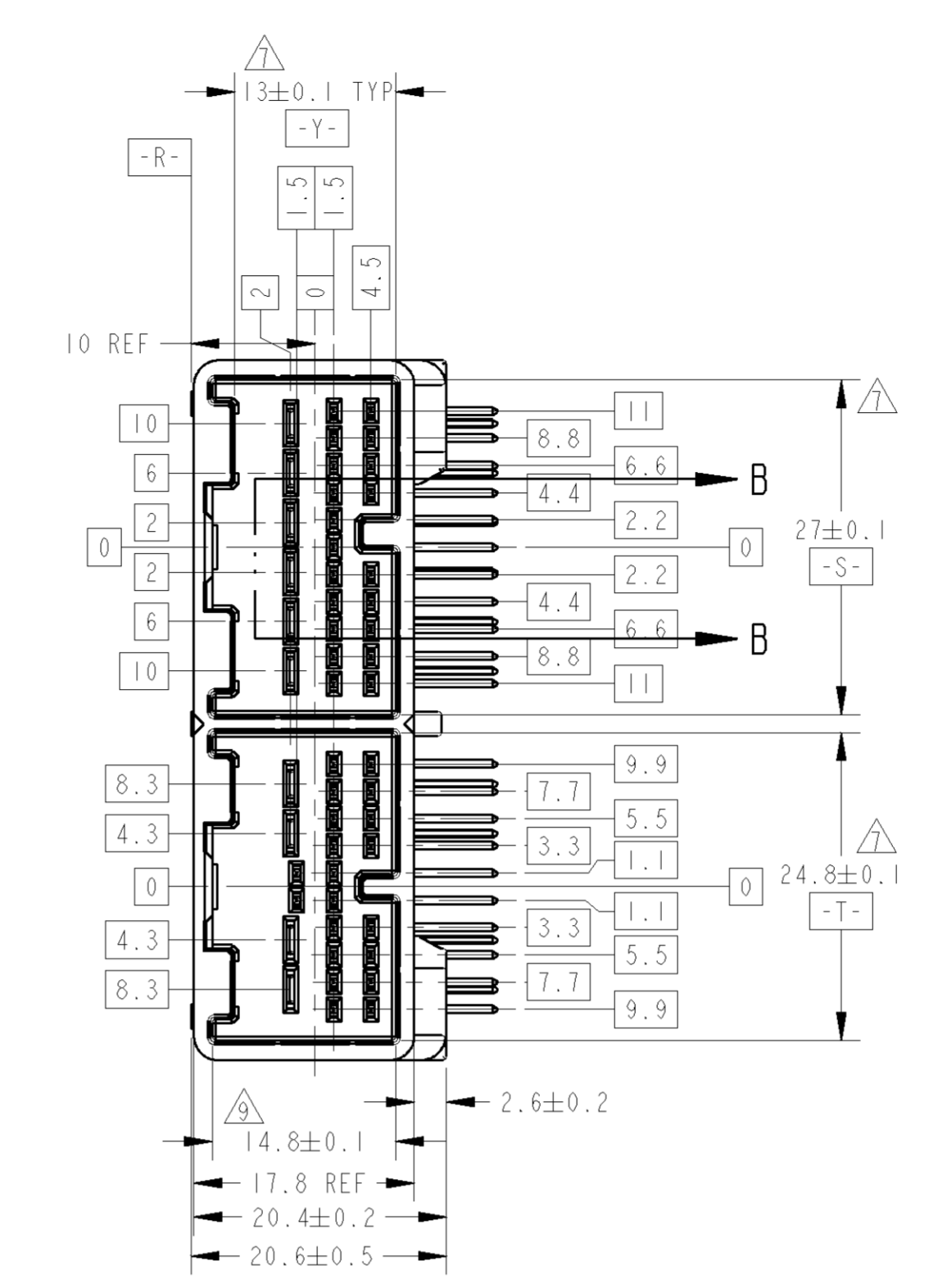
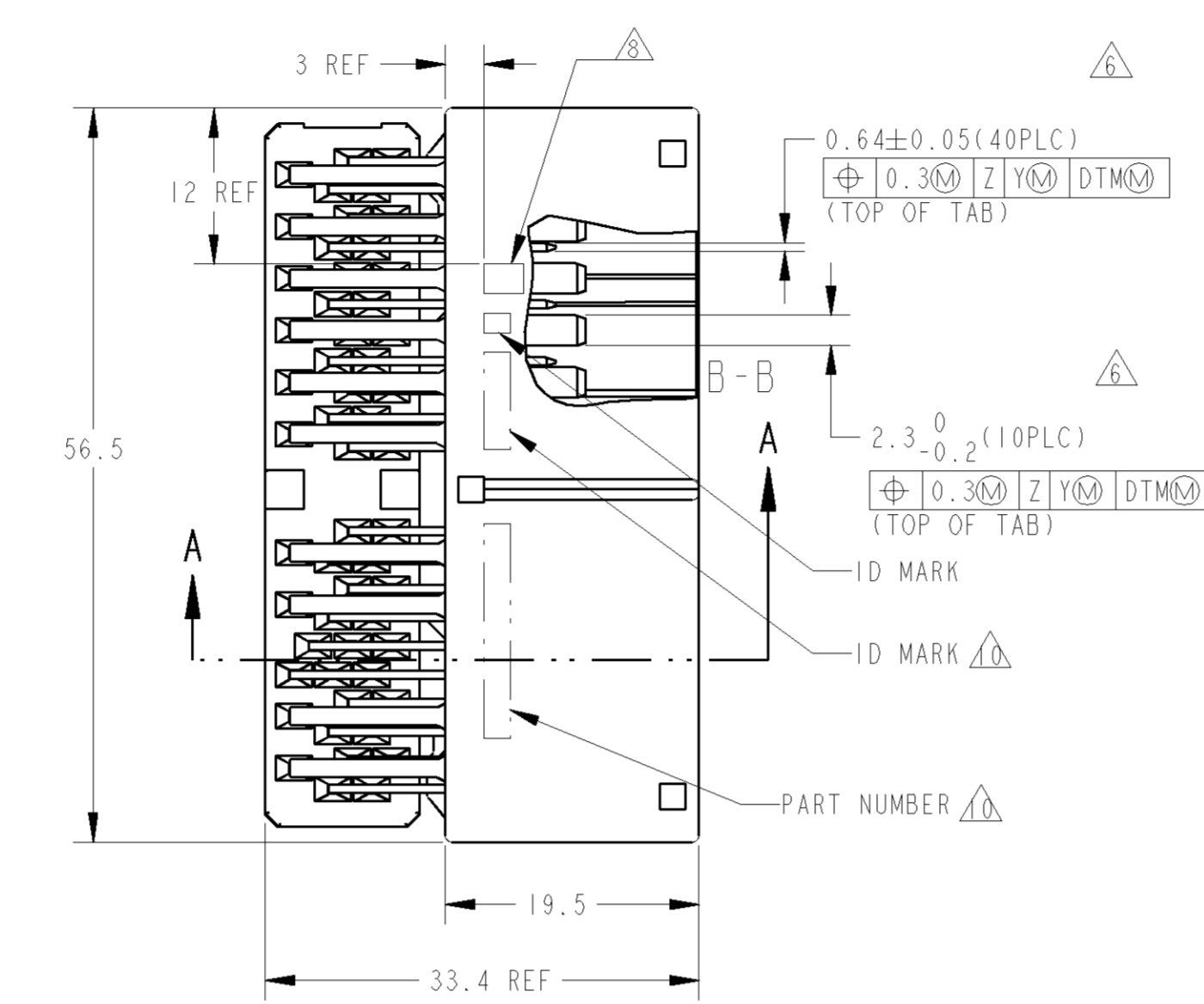
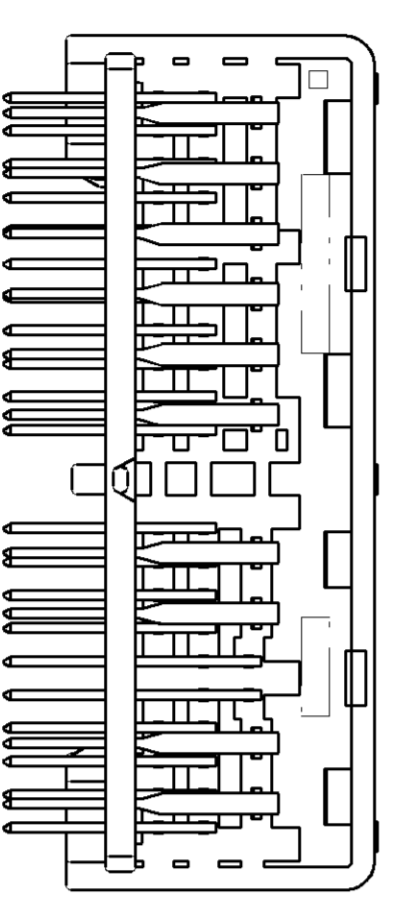
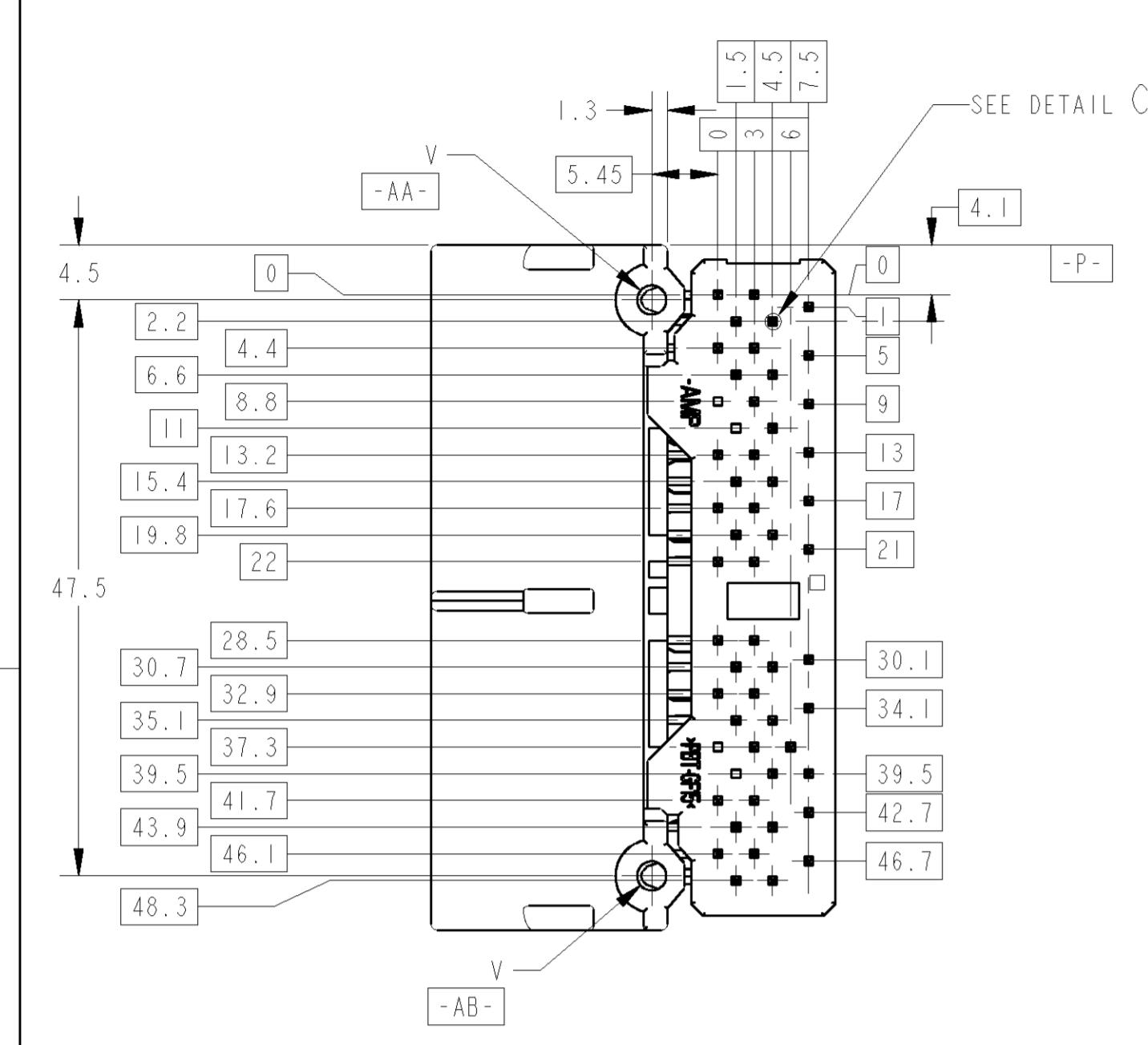


REV	DATE	BY	CHK	APPV
A1	21NOV07	AY	HY	
A2	20MAY2013	TS	HY	
A3	04JUN2013	TS	KB	

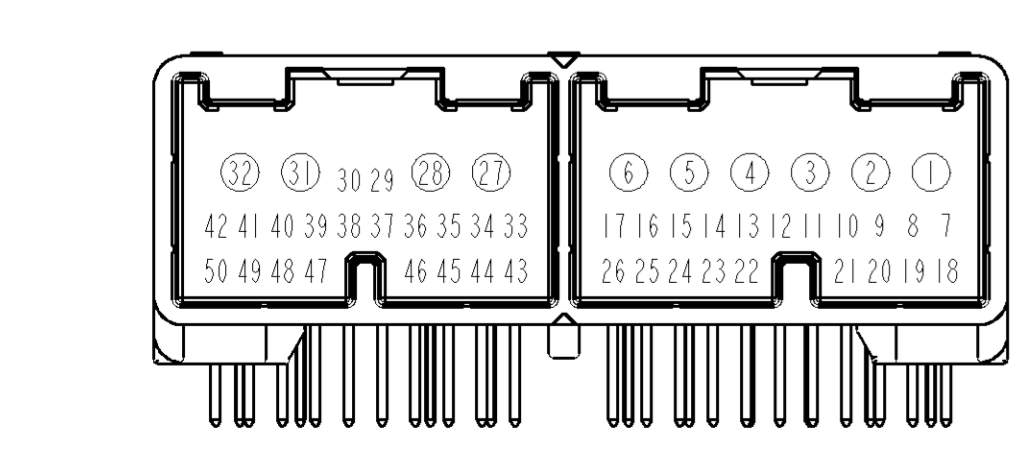


- 取組相手ハウジング番号
24P:1318756 26P:1318757
24P:1746864 26P:1746863
- 取組順序: FIG. 1参照
- 推奨取組トルク: JIS B1115, B1122タッピングねじに ねぐせ種 呼び径3. 長さ: TABLE-1参照
- ねじ締めトルク: 0.392N·m MAX (FOR REFERENCE)
- 本製品の取扱は、取扱説明書 No. 411-5927に従うこと。
- 3次DTMについては、[-S-], [-T-]を各々のブロック毎に適用すること。
- [-Z-]より7.5mmの位置で測定。
- コンタクト上端明用マーク
- [-Z-]より2mmの位置で測定。
- ID MARK, PART NUMBERを表示

- PART NO. OF PLUG HOUSINGS TO BE MATED
24P:1318756 26P:1318757
24P:1746864 26P:1746863
- CIRCUIT NUMBER: SEE FIG. 1
- RECOMMENDED SCREW: PAN-HEADED, TYPE 2 TAPPING SCREW, NOMINAL DIAMETER 3mm, LENGTH: SEE TABLE-1(JIS B1115, B1122)
- FASTENING TORQUE FOR SCREW: 0.392N·m MAX (FOR REFERENCE)
- AS FOR THE HANDLING OF THIS PRODUCT, FOLLOW THE INSTRUCTION SHEET No. 411-5927.
- TERTIARY DATUM: [-S-], [-T-] OF EACH BLOCK.
- MEASURED AT 7.5mm FROM [-Z-].
- MARKING FOR DESCERMENT OF THE CONTACT FINISH
- MEASURE AT 2mm FROM [-Z-].
- ID MARK, PART NUMBER INDICATED.

プリント基板板厚 (mm)	1.2	1.6
THICKNESS OF PCB (mm)		
固定用ねじ長さ (mm)	5	6
NOMINAL LENGTH OF SCREW (mm)		

PLASTIC BOX	PLASTIC TUBE	62	16.72	∅2.4	PBT	SELECTIVE-TIN (MATTE)	1-6, 27, 28, 31, 32	7-26, 29, 30, 33-50	NATURAL (自然色)	NATURAL (自然色)	6318750-3	
PLASTIC BOX	PLASTIC TUBE	9	15.68	∅2.63	SPS	SELECTIVE-TIN (MATTE)	1-6, 27, 28, 31, 32	9-14, 20-23, 25, 29, 30, 37, 39-41, 44, 47	7, 8, 15-19, 24, 26, 33-36, 38, 42, 43, 45, 46, 48-50	BLACK (黒色)	BLACK (黒色)	1-1318750-8
CARTON BOX	PLASTIC TUBE	8	16.72	∅2.4	PBT	SELECTIVE-TIN (MATTE)	1-6, 27, 28, 31, 32		7-26, 29, 30, 33-50	NATURAL (自然色)	NATURAL (自然色)	1-1318750-6
PLASTIC BOX	PLASTIC TUBE	8	16.72	∅2.4	PBT	SELECTIVE-TIN (MATTE)	1-6, 27, 28, 31, 32		7-26, 29, 30, 33-50	NATURAL (自然色)	NATURAL (自然色)	1-1318750-5
PLASTIC BOX	PLASTIC TUBE	5	16.72	∅2.4	PBT	SELECTIVE-TIN (MATTE)	1-6, 27, 28, 31, 32	9-14, 20-23, 25, 29, 30, 37, 39-41, 44, 47	7, 8, 15-19, 24, 26, 33-36, 38, 42, 43, 45, 46, 48-50	NATURAL (自然色)	NATURAL (自然色)	1-1318750-4
CARTON BOX	PLASTIC TUBE	5	16.72	∅2.4	PBT	SELECTIVE-TIN (MATTE)	1-6, 27, 28, 31, 32	9-14, 20-23, 25, 29, 30, 37, 39-41, 44, 47	7, 8, 15-19, 24, 26, 33-36, 38, 42, 43, 45, 46, 48-50	NATURAL (自然色)	NATURAL (自然色)	1-1318750-3
CARTON BOX	PLASTIC TUBE	4	15.68	∅2.63	SPS	SELECTIVE-TIN (MATTE)	1-6, 27, 28, 31, 32		7-26, 29, 30, 33-50	BLACK (黒色)	NATURAL (自然色)	1-1318750-2
PLASTIC BOX	PLASTIC TUBE	4	15.68	∅2.63	SPS	SELECTIVE-TIN (MATTE)	1-6, 27, 28, 31, 32		7-26, 29, 30, 33-50	BLACK (黒色)	NATURAL (自然色)	1-1318750-1
CARTON BOX	PLASTIC TUBE	6	16.72	∅2.4	PBT	SELECTIVE-TIN (MATTE)	1-6, 27, 28, 31, 32	7-26, 29, 30, 33-50		NATURAL (自然色)	NATURAL (自然色)	1-1318750-0
PLASTIC BOX	PLASTIC TUBE	7	16.72	∅2.4	PBT	SELECTIVE-TIN (MATTE)	1-6, 27, 28, 31, 32	29, 48	7-26, 30, 33-47, 49, 50	NATURAL (自然色)	NATURAL (自然色)	1318750-9
OBSOLETE	PLASTIC BOX	3	16.72	∅2.4	PBT	SELECTIVE-TIN	1-6, 27, 28, 31, 32	9-14, 20-23, 25, 29, 30, 37, 39-41, 44, 47	7, 8, 15-19, 24, 26, 33-36, 38, 42, 43, 45, 46, 48-50	NATURAL (自然色)	NATURAL (自然色)	1318750-7
OBSOLETE	CARTON BOX	3	16.72	∅2.4	PBT	SELECTIVE-TIN	1-6, 27, 28, 31, 32	9-14, 20-23, 25, 29, 30, 37, 39-41, 44, 47	7, 8, 15-19, 24, 26, 33-36, 38, 42, 43, 45, 46, 48-50	NATURAL (自然色)	NATURAL (自然色)	1318750-6
PLASTIC BOX	PLASTIC TUBE	2	16.72	∅2.4	PBT	PRE-TIN TIN LEAD	1-6, 27, 28, 31, 32	7-26, 29, 30, 33-50		NATURAL (自然色)	NATURAL (自然色)	1318750-3
CARTON BOX	PLASTIC TUBE	1	16.72	∅2.4	PBT	PRE-TIN	1-6, 27, 28, 31, 32		7-26, 29, 30, 33-50	NATURAL (自然色)	NATURAL (自然色)	1318750-2
PLASTIC BOX	PLASTIC TUBE	1	16.72	∅2.4	PBT	PRE-TIN	1-6, 27, 28, 31, 32		7-26, 29, 30, 33-50	NATURAL (自然色)	NATURAL (自然色)	1318750-1



① ; パワー回路用 (FOR POWER CIRCUIT)
 ▲ FIG. 1 CIRCUIT NUMBERS

THIS DRAWING IS A CONTROLLED DOCUMENT. OWN: T. HAYASHI 27APR2000
 CHK: N. SAI 27APR2000
 APPV: M. SAI 27APR2000

DIMENSIONS: UNIT: mm
 TOLERANCES UNLESS OTHERWISE SPECIFIED:
 0-PLC ±0.3
 1-PLC ±0.1
 2-PLC ±0.05
 3-PLC ±0.025
 4-PLC ±0.01
 ANGLES: 30-0001

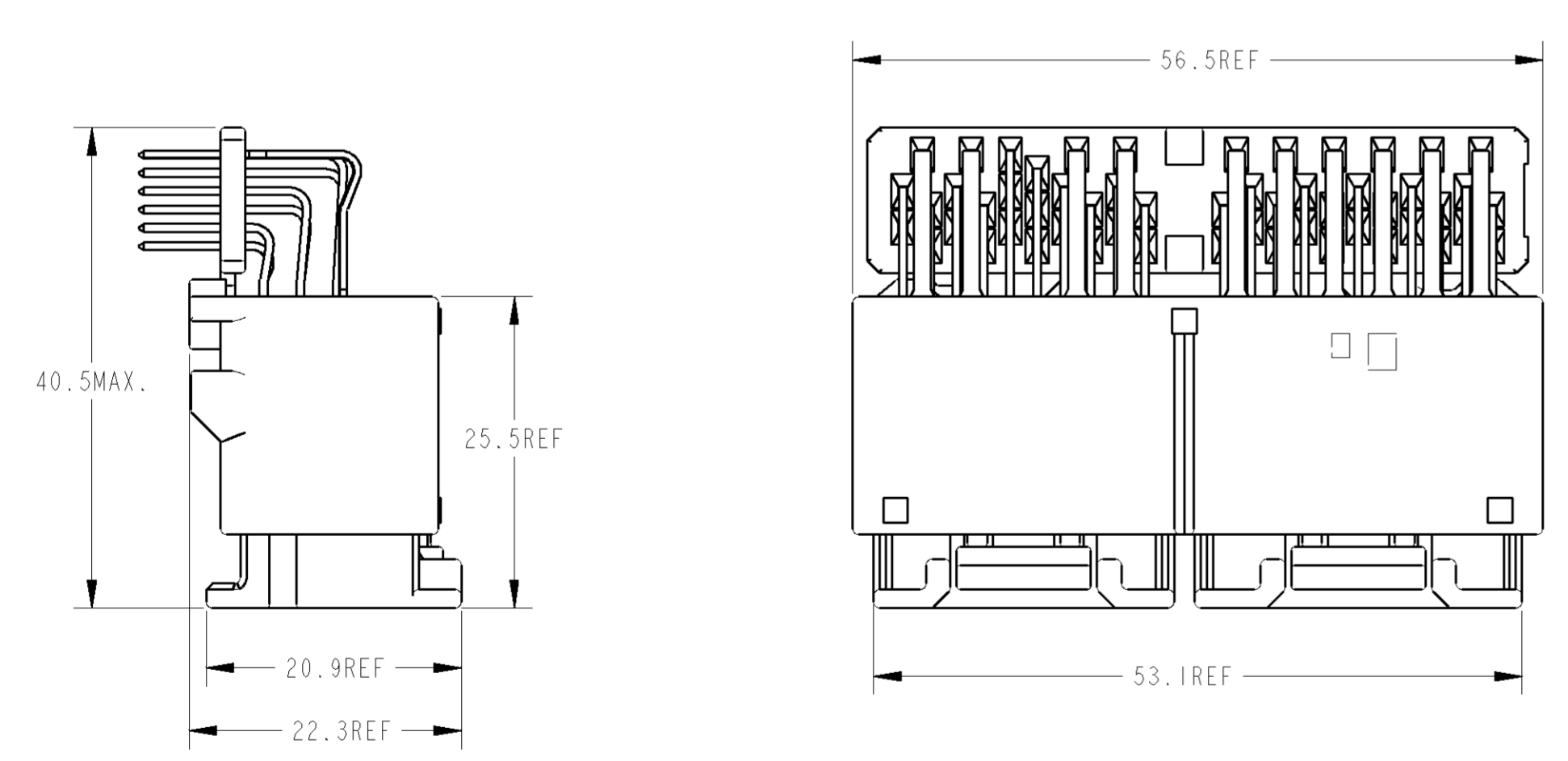
MATERIAL: CONTACT: BRASS HOUSING: SEE TABLE TINE PLATE: PBT
 FINISH: SEE TABLE

PRODUCT SPEC: 108-5667
 APPLICATION SPEC: 114-5250

SIZE: A1 CASE CODE: 00779 DRAWING NO: 1318750
 SHEET: 1 OF 2 REV: A3

TE Connectivity
 025/090 SERIES
 50 POSITION CAP ASSEMBLY

LOC	DIST	REV	DESCRIPTION	ECN	DATE	DWN	APVD
J	-		SEE 1 OF 2				



CAP ASSEMBLY AND PLUG ASSEMBLY ENGAGEMENT DRAWING
 キャップアセンブリ & プラグアセンブリ 嵌合図

THIS DRAWING IS A CONTROLLED DOCUMENT.		OWN I. HAYASHI 27APR2000	TE Connectivity	
DIMENSIONS: mm		CHK M. SAI 27APR2000		
TOLERANCES UNLESS OTHERWISE SPECIFIED: - 0.3		APVD M. SAI 27APR2000	NAME 025/090 SERIES 50POSITION CAP ASSEMBLY	
<ul style="list-style-type: none"> PLC ±0.1 PLC ±0.1 PLC ±0.001 PLC ±0.001 ANGLES ±0.00° 		PRODUCT SPEC SEE 1 OF 2	SIZE A3	
MATERIAL SEE 1 OF 2		APPLICATION SPEC SEE 1 OF 2	CARE CODE 00779	DRAWING NO. C-1318750
FINISH SEE 1 OF 2		WEIGHT SEE 1 OF 2	RESTRICTED TO --	
CUSTOMER DRAWING			SCALE 2:1	SHEET 2 OF 2
			REV A3	

X-ON Electronics

Largest Supplier of Electrical and Electronic Components

Click to view similar products for [Automotive Connectors](#) category:

Click to view products by [TE Connectivity](#) manufacturer:

Other Similar products are found below :

[003-018-000](#) [600858](#) [60403001](#) [60993906-B](#) [60993913-B](#) [629515004020001](#) [M902-2131](#) [M902-2161](#) [M902-2344](#) [72.330.1035.1](#)
[73.353.4028.0](#) [F118010](#) [F119300-B](#) [F132210](#) [F132210-B](#) [F166900](#) [F180100](#) [F258300](#) [F258300-B](#) [F294300-B](#) [F339100](#) [F339700](#) [F358300-](#)
[B](#) [F374110](#) [F407400](#) [F412210](#) [F427600](#) [F444110](#) [F487000](#) [F495100-B](#) [F500900-B](#) [F509500B-B](#) [770444-1](#) [776880-1](#) [827153-1](#) [881735-1](#)
[8N1515-32-24P](#) [9-1326727-8](#) [9-1326729-8](#) [925467-1](#) [925474-1](#) [928905-1](#) [936398-2](#) [964562-1](#) [964562-4](#) [964731-2](#) [965051-1](#) [968782-1](#)
[GT17SA-8DS-HU](#) [GT17VS-10DP-5.2CF](#)