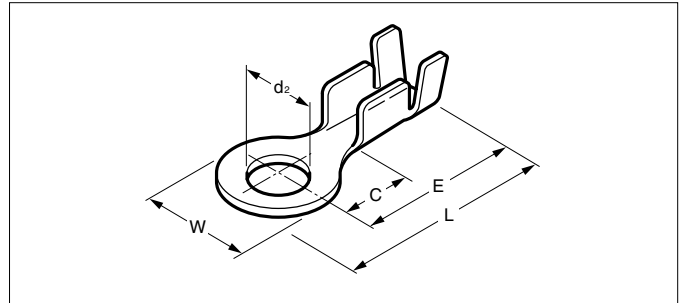


# RING TONGUE TERMINAL

With insulation grip



UL Listed E42024

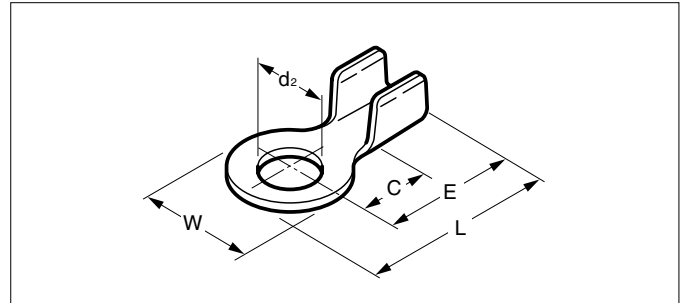
SP Certified LR20812

Model No.	Standard	Applicable wire			Material	Finish	Dimensions(mm)					Q'ty / reel	
		mm <sup>2</sup>	AWG #	Insulation O.D. (mm)			d <sub>2</sub> (dia.)	E	L	C	W		Material thickness
SRA-01T-3.2	UL SP	0.2 to 0.5	24 to 20	1.5 to 2.7	Brass	—	3.2	13.4	16.9	7.2	7.0	0.32	10,000
Tin-plated													
SRA-21-3	UL SP	0.3 to 0.75	22 to 18	1.5 to 2.8	Brass	—	3.7	13.0	16.8	5.8	7.5	0.5	7,500
Tin-plated													
—													
Tin-plated													
—													
Tin-plated													
SRA-21-4	UL SP	0.3 to 0.75	22 to 18	1.5 to 2.8	Brass	—	4.3	13.0	16.8	5.8	7.5	0.5	7,500
Tin-plated													
SRA-21-H5	UL SP	0.3 to 0.75	22 to 18	1.5 to 2.8	Brass	—	5.1	13.0	16.8	5.8	7.5	0.5	7,500
Tin-plated													
SRA-51-3	UL SP	0.5 to 2.0	20 to 14	2.6 to 3.8	Brass	—	3.2	13.0	16.8	5.8	7.5	0.5	7,500
Tin-plated													
—													
Tin-plated													
—													
Tin-plated													
SRA-51-4	UL SP	0.5 to 2.0	20 to 14	2.6 to 3.8	Brass	—	4.3	13.0	16.8	5.8	7.5	0.5	7,500
Tin-plated													
SRA-51-H5	UL SP	0.5 to 2.0	20 to 14	2.6 to 3.8	Brass	—	5.1	13.0	16.8	5.8	7.5	0.5	7,500
Tin-plated													
SRB-51-3	UL SP	0.5 to 2.0	20 to 14	2.6 to 3.8	Brass	—	3.2	15.0	19.3	7.8	8.5	0.5	5,000
Tin-plated													
—													
Tin-plated													
—													
Tin-plated													
SRB-51-4	UL SP	0.5 to 2.0	20 to 14	2.6 to 3.8	Brass	—	4.3	15.0	19.3	7.8	8.5	0.5	5,000
Tin-plated													
SRB-51-H5	UL SP	0.5 to 2.0	20 to 14	2.6 to 3.8	Brass	—	5.1	15.0	19.3	7.8	8.5	0.5	5,000
Tin-plated													
SRB-51-5	UL SP	0.5 to 2.0	20 to 14	2.6 to 3.8	Brass	—	5.3	15.0	19.3	7.8	8.5	0.5	5,000
Tin-plated													
SRC-01-2.5	UL SP	0.2 to 0.3	24 to 22	1.3 to 1.7	Brass	—	2.5	7.0	9.3	2.9	4.6	0.32	15,000
Tin-plated													
SRC-51-M3	UL SP	0.5 to 2.0	20 to 14	2.6 to 3.8	Brass	—	3.2	13.5	16.8	6.7	6.5	0.5	7,500
Tin-plated													
—													
Tin-plated													
—													
Tin-plated													
SRC-51-M3.5	UL SP	0.5 to 2.0	20 to 14	2.6 to 3.8	Brass	—	3.7	13.5	16.8	6.7	6.5	0.5	7,500
Tin-plated													
SRC-51-M4	UL SP	0.5 to 2.0	20 to 14	2.6 to 3.8	Brass	—	4.3	13.5	16.8	6.7	6.5	0.5	7,500
Tin-plated													
SRC-51T-M4	UL SP	0.5 to 2.0	20 to 14	2.6 to 3.8	Brass	—	3.2	13.5	16.8	6.7	6.5	0.5	7,500
Tin-plated													
SRF-51-3	UL SP	0.5 to 2.0	20 to 14	2.6 to 3.8	Brass	—	3.2	11.5	15.3	4.8	7.5	0.5	7,500
Tin-plated													
—													
Tin-plated													
—													
Tin-plated													
SRF-51-4	UL SP	0.5 to 2.0	20 to 14	2.6 to 3.8	Brass	—	3.7	11.5	15.3	4.8	7.5	0.5	7,500
Tin-plated													
SRF-51-H5	UL SP	0.5 to 2.0	20 to 14	2.6 to 3.8	Brass	—	4.3	11.5	15.3	4.8	7.5	0.5	7,500
Tin-plated													
SRF-51T-H5	UL SP	0.5 to 2.0	20 to 14	2.6 to 3.8	Brass	—	5.1	11.5	15.3	4.8	7.5	0.5	7,500
Tin-plated													

RoHS compliance

# RING TONGUE TERMINAL

Without insulation grip



UL Listed E42024

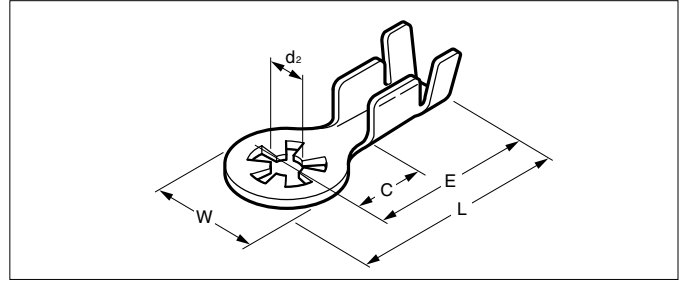
SF Certified LR20812

Model No.	Standard	Applicable wire		Material	Finish	Dimensions(mm)						Qty / reel
		mm <sup>2</sup>	AWG #			d <sub>2</sub> (dia.)	E	L	C	W	Material thickness	
SRA-20-2.5	UL SF	0.3 to 0.75	22 to 18	Brass	—	2.5	7.5	9.8	4.2	4.6	0.4	15,000
SRA-20T-2.5					Tin-plated							
SRA-20-3.2					Tin-plated							
SRA-20T-3.2						3.2						
SRA-50-3	UL SF	0.5 to 2.0	20 to 14	Brass	—	3.2	8.7	12.5	4.7	7.5	0.5	10,000
SRA-50T-3					Tin-plated							
SRA-50-3.7					—							
SRA-50T-3.7					Tin-plated							
SRA-50-4					—							
SRA-50T-4	Tin-plated											
SRA-50-H5	—					5.1						
SRA-50T-H5	Tin-plated											
SRB-50-3	UL SF	0.5 to 2.0	20 to 14	Brass	—	3.2	12.7	17.0	7.7	8.5	0.5	7,500
SRB-50T-3					Tin-plated							
SRB-50-3.7					—							
SRB-50T-3.7					Tin-plated							
SRB-50-4					—							
SRB-50T-4					Tin-plated							
SRB-50-H5	—					5.1						
SRB-50T-H5	Tin-plated											
SRB-50-5	—					5.3						
SRB-50T-5	Tin-plated											
SRC-50-M3	UL SF	0.5 to 2.0	20 to 14	Brass	—	3.2	10.0	13.3	6.7	6.5	0.5	15,000
SRC-50T-M3					Tin-plated							
SRC-50-M3.5					—							
SRC-50T-M3.5					Tin-plated							
SRC-50-M4	—					4.3						
SRC-50T-M4	Tin-plated											
SRD-20-3.7	UL SF	0.3 to 0.75	22 to 18	Brass	—	3.7	8.7	12.5	4.7	7.5	0.5	15,000
SRD-20T-3.7					Tin-plated							
SRD-20-4					—							
SRD-20T-4	Tin-plated											

RoHS compliance

# RING TONGUE TERMINAL

With toothed lock



Recognized E42024

Certified LR20812

Model No.	Standard	Applicable wire			Material	Finish	Dimensions(mm)					Q'ty / reel	
		mm <sup>2</sup>	AWG #	Insulation O.D. (mm)			d <sub>2</sub> (dia.)	E	L	C	W		Material thickness
SRT-51T-3(FE)		0.5 to 1.25	20 to 16	1.7 to 3.4	Iron	Tin-plated	3.1	12.2	16.8	6.1	9.2	0.5	5,000
SRT-51T-4(FE)							4.1						

RoHS compliance

## Crimping machine, Applicator

Contact	Crimping machine	Applicator		
		Crimp applicator	Dies	Crimp applicator with dies
SRA-01(T)-**	AP-K2N	MK-L	MK/SRA-01	APLMK SRA01
		-	-	-
SRA-20(T)-**		MK-L	MK/SRA-20	APLMK SRA20
		-	-	-
SRA-21(T)-**		MK-L	MK/SRA-21	APLMK SRA21
		-	-	-
SRA-50(T)-**		MK-L	MK/SRA-50	APLMK SRA50
		-	-	-
SRA-51(T)-**		MK-L	MK/SRA-51	APLMK SRA51
		-	-	-
SRB-50(T)-**		MK-L	MK/SRB-50	APLMK SRB50
		-	-	-
SRB-51(T)-**		MK-L	MK/SRB-51	APLMK SRB51
		-	-	-

Contact	Crimping machine	Applicator		
		Crimp applicator	Dies	Crimp applicator with dies
SRC-01(T)-**	AP-K2N	MK-L	MK/SRC-01	APLMK SRC01
		-	-	-
SRC-50(T)-**		MK-L	MK/SRC-50	APLMK SRC50
		-	-	-
SRC-51(T)-**		MK-L	MK/SRC-51	APLMK SRC51
		-	-	-
SRD-20(T)-**		MK-L	MK/SRD-20	APLMK SRD20
		-	-	-
SRF-51(T)-**		MK-L	MK/SRF-51	APLMK SRF51
		-	-	-
SRT-51T-**		MK-L	MK/SRT-51	APLMK SRT51
		-	-	-

\* Compliant with RoHS.

\* Refer to "General Instruction and Notice when using Terminals and Connectors" at the end of this catalog.

\* Contact JST for details.

## X-ON Electronics

Largest Supplier of Electrical and Electronic Components

*Click to view similar products for [Terminals](#) category:*

*Click to view products by [JST](#) manufacturer:*

Other Similar products are found below :

[HT-13-10](#) [71M-250-32-NB](#) [01-2065-1-0216](#) [00581P0075](#) [M10-10RX](#) [M10BCK](#) [60205-1](#) [604200-1](#) [60598-1-CUT-TAPE](#) [60617-1-C](#) [60873-1](#) [M14-516R/SK](#) [M14-6RSX](#) [M18-10FLX](#) [M18-8FBX](#) [M18-8R/LX](#) [M18BCK](#) [61314-6-C](#) [61-S](#) [61-SN-A](#) [62149-1](#) [62-NBM-A](#) [63-S](#) [640179-1](#) [640917-2-CUT-TAPE](#) [6501550002](#) [66107-2-C](#) [696683-1](#) [696834-1](#) [696861-1](#) [696931-1](#) [696999-1](#) [M8-516RK](#) [M86700006](#) [MA250DMFMX-A](#) [701-2007](#) [701-2307](#) [701-7761-03](#) [70F-110-32-PB](#) [718-N-A](#) [71M-187-20-NBL](#) [71M-250-32-NBL](#) [72F-187-20-NBL](#) [72M-250-32-NBL](#) [7310](#) [73F-250-32](#) [73F-250-32-NBL](#) [73F-250-32-NL](#) [F14-10C](#) [F-1M](#)