

FIG 2
MMT-108-01-X-SH-A SHOWN
(DIFFERENT AS SHOWN, OTHERWISE SAME AS FIG 1)

F:\DWG\MISC\MKTG\MMT-1XX-XX-XX-XX-XXX-X-XX-MKT.SLDRW

<p>* PROPRIETARY NOTE *</p> <p>THIS DOCUMENT CONTAINS CONFIDENTIAL AND PROPRIETARY INFORMATION AND ALL DESIGN, MANUFACTURING, REPRODUCTION, USE, PATENT RIGHTS AND SALES RIGHTS ARE EXPRESSLY RESERVED BY SAMTEC, INC. THIS DOCUMENT SHALL NOT BE DISCLOSED, IN WHOLE OR PART, TO ANY UNAUTHORIZED PERSON OR ENTITY NOR REPRODUCED, TRANSFERRED OR INCORPORATED IN ANY OTHER PROJECT IN ANY MANNER WITHOUT THE EXPRESS WRITTEN CONSENT OF SAMTEC, INC.</p> <p>DO NOT SCALE DRAWING</p> <p>SHEET SCALE: 4:1</p>	<p>520 PARK EAST BLVD, NEW ALBANY, IN 47150 PHONE: 812-944-6733 FAX: 812-948-5047 e-Mail: info@SAMTEC.com code: 55322</p>	
	<p>DESCRIPTION: 2mm HORIZONTAL TERMINAL SURFACE MOUNT STRIP ASSEM</p>	
	<p>DWG. NO. MMT-1XX-XX-XX-XX-XX-XXX-X-XX</p>	
	<p>BY: DEAN P</p>	<p>12/12/2000</p>

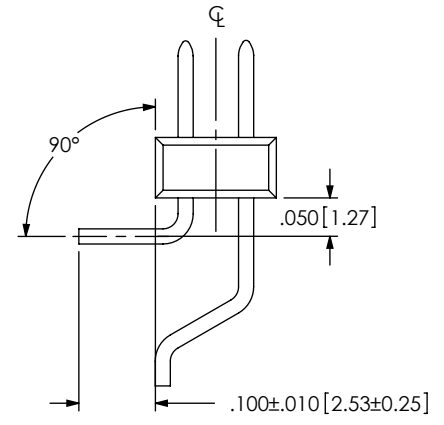


FIG 3
-MT: MIXED TECHNOLOGY
(DIFFERENT AS SHOWN, OTHERWISE SAME AS FIG 1)

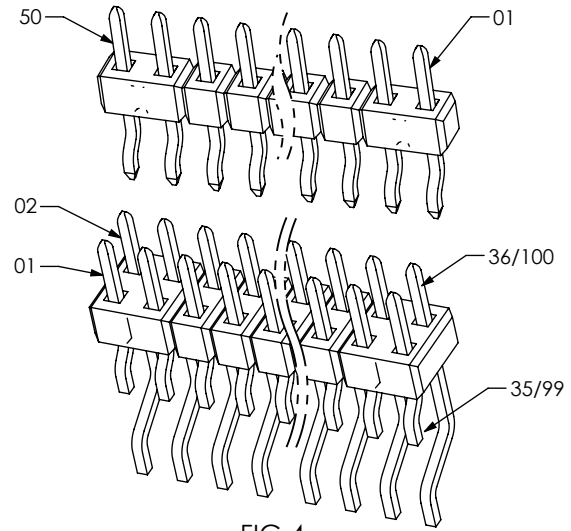


FIG 4
POLARIZATION VIEW

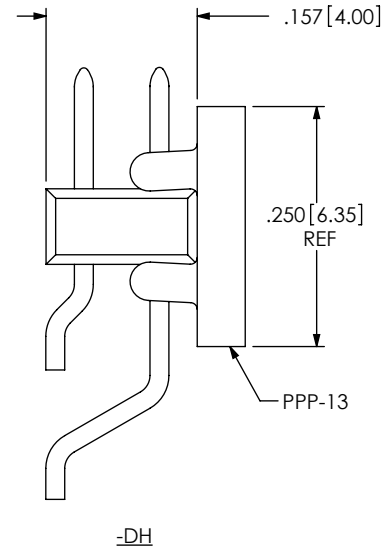
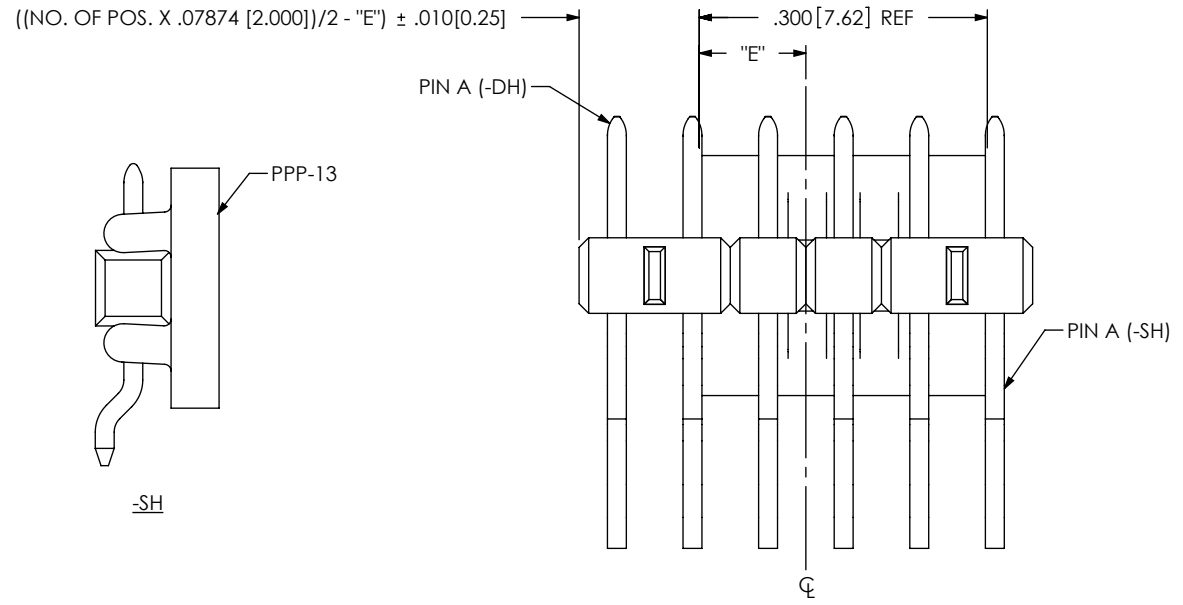


TABLE 1	
POS.	"E"
ODD	.150 [572]
EVEN	.111 [2.82]

FIG 5
-P: PICK & PLACE PAD OPTION

PROPRIETARY NOTE
THIS DOCUMENT CONTAINS CONFIDENTIAL AND PROPRIETARY INFORMATION AND ALL DESIGN, MANUFACTURING, REPRODUCTION, USE, PATENT RIGHTS AND SALES RIGHTS ARE EXPRESSLY RESERVED BY SAMTEC, INC. THIS DOCUMENT SHALL NOT BE DISCLOSED, IN WHOLE OR PART, TO ANY UNAUTHORIZED PERSON OR ENTITY NOR REPRODUCED, TRANSFERRED OR INCORPORATED IN ANY OTHER PROJECT IN ANY MANNER WITHOUT THE EXPRESS WRITTEN CONSENT OF SAMTEC, INC.

DO NOT SCALE DRAWING
SHEET SCALE: 2:1



520 PARK EAST BLVD, NEW ALBANY, IN 47150
PHONE: 812-944-6733 FAX: 812-948-5047
e-Mail info@SMATEC.com code 55322

DESCRIPTION:
2mm HORIZONTAL TERMINAL SURFACE MOUNT STRIP ASSEM

DWG. NO.
MMT-1XX-XX-XX-XX-XX-XXX-X-XX

BY: DEAN P 12/12/2000 SHEET 3 OF 6

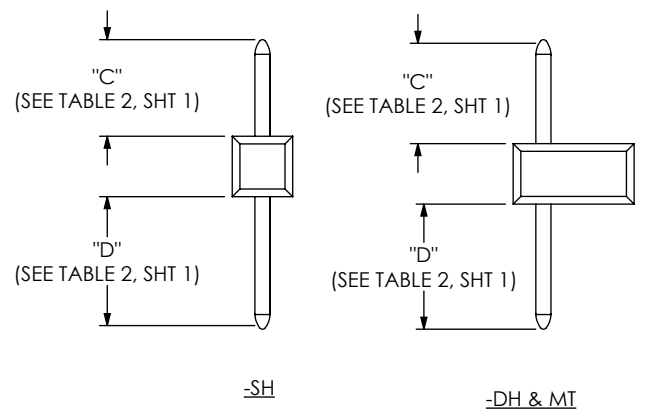


FIG 6
IN-PROCESS 1

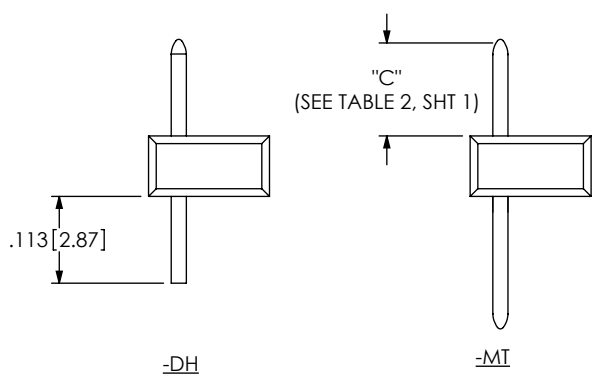


FIG 7
IN-PROCESS 2

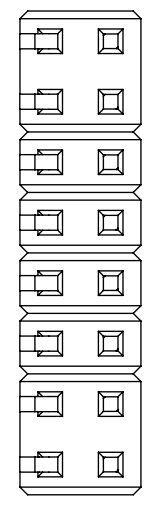
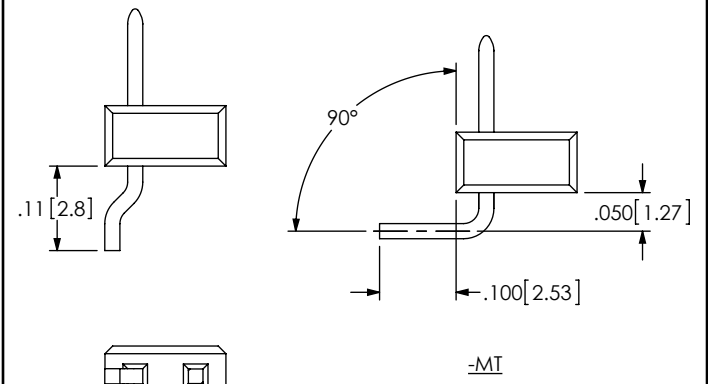


FIG 8
IN-PROCESS 3

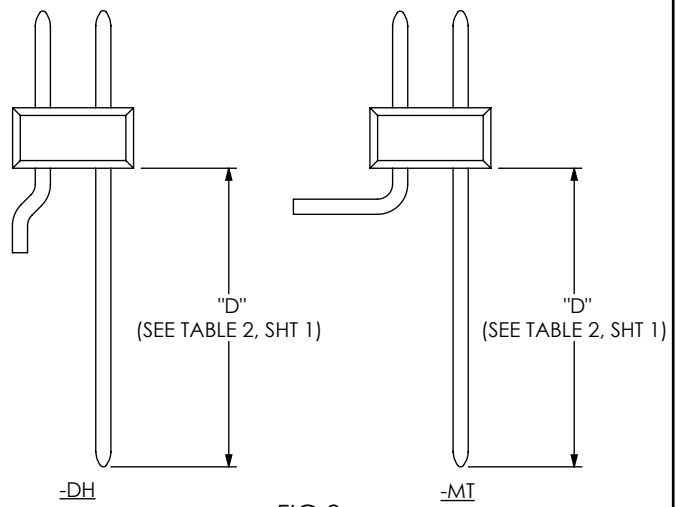


FIG 9
IN-PROCESS 4

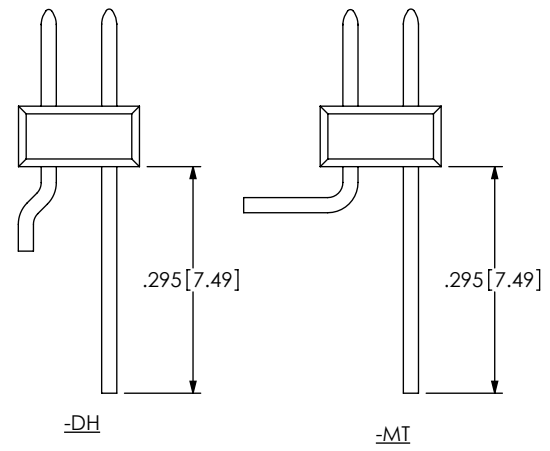


FIG 10
IN-PROCESS 5

PROPRIETARY NOTE
 * THIS DOCUMENT CONTAINS CONFIDENTIAL AND PROPRIETARY INFORMATION AND ALL DESIGN, MANUFACTURING, REPRODUCTION, USE, PATENT RIGHTS AND SALES RIGHTS ARE EXPRESSLY RESERVED BY SAMTEC, INC. THIS DOCUMENT SHALL NOT BE DISCLOSED, IN WHOLE OR PART, TO ANY UNAUTHORIZED PERSON OR ENTITY NOR REPRODUCED, TRANSFERRED OR INCORPORATED IN ANY OTHER PROJECT IN ANY MANNER WITHOUT THE EXPRESS WRITTEN CONSENT OF SAMTEC, INC.

DO NOT SCALE DRAWING
 SHEET SCALE: 2:1



520 PARK EAST BLVD, NEW ALBANY, IN 47150
 PHONE: 812-944-6733 FAX: 812-948-5047
 e-Mail info@SMATEC.com code 55322

DESCRIPTION:
 2mm HORIZONTAL TERMINAL SURFACE MOUNT STRIP ASSEM
 DWG. NO.
MMT-1XX-XX-XX-XX-XX-XXX-X-XX
 BY: DEAN P 12/12/2000 SHEET 4 OF 6

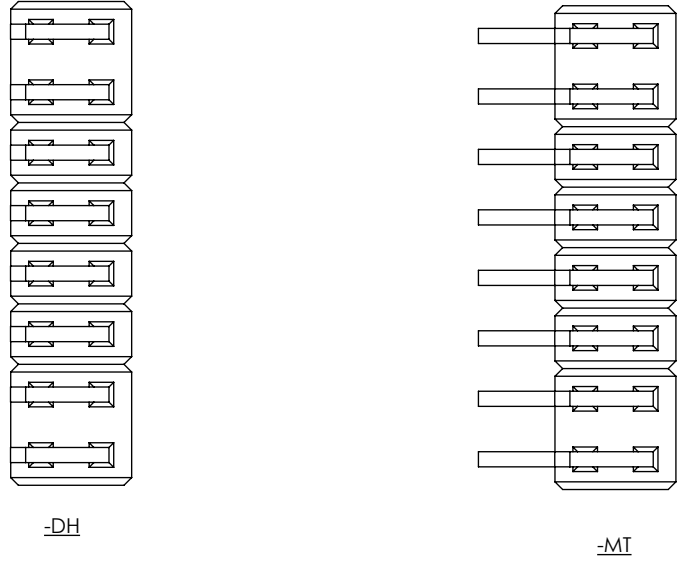
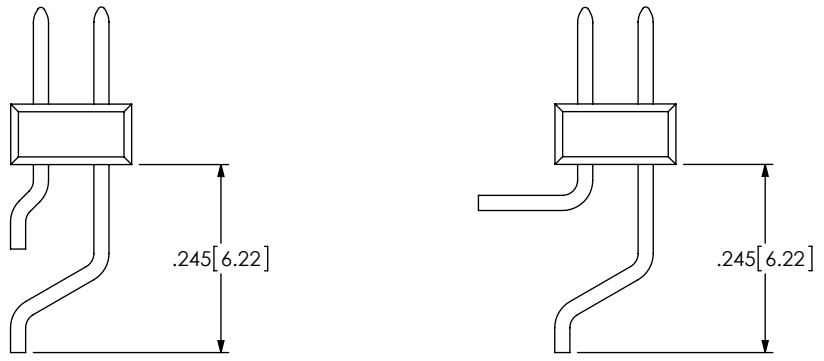
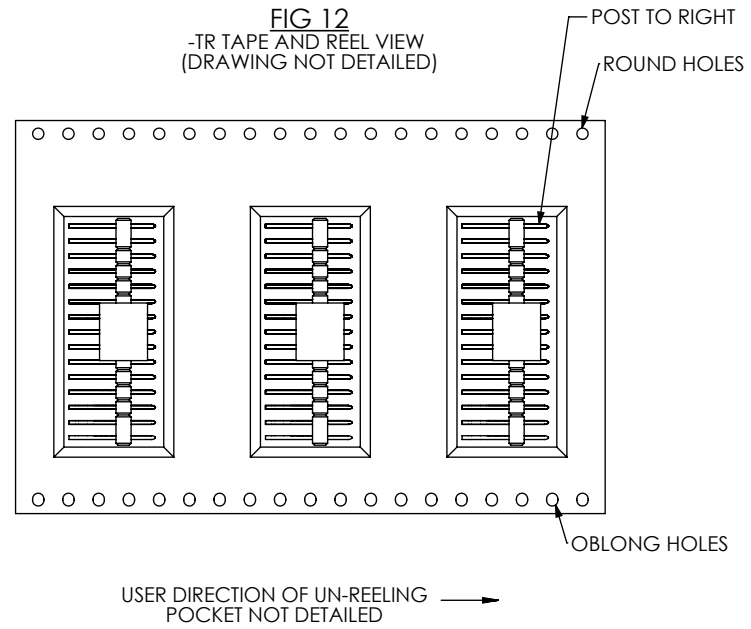


FIG 11
IN-PROCESS 6

FIG 12
-TR TAPE AND REEL VIEW
(DRAWING NOT DETAILED)



NOTE: PARTS MUST BE ORIENTED PER THE DESIGN OF THE POCKET TOOL.
POCKETS DESIGNED AFTER REVISION BW MUST ORIENT PARTS PER THIS VIEW.

F:\DWG\MISC\MKTG\MMT-1XX-XX-XX-XX-XXX-X-XX-MKT.SLDDRW

PROPRIETARY NOTE
* THIS DOCUMENT CONTAINS CONFIDENTIAL AND PROPRIETARY INFORMATION AND ALL DESIGN, MANUFACTURING, REPRODUCTION, USE, PATENT RIGHTS AND SALES RIGHTS ARE EXPRESSLY RESERVED BY SAMTEC, INC. THIS DOCUMENT SHALL NOT BE DISCLOSED, IN WHOLE OR PART, TO ANY UNAUTHORIZED PERSON OR ENTITY NOR REPRODUCED, TRANSFERRED OR INCORPORATED IN ANY OTHER PROJECT IN ANY MANNER WITHOUT THE EXPRESS WRITTEN CONSENT OF SAMTEC, INC. *

samtec
520 PARK EAST BLVD, NEW ALBANY, IN 47150
PHONE: 812-944-6733 FAX: 812-948-5047
e-Mail info@SMATEC.com code 55322

DO NOT SCALE DRAWING

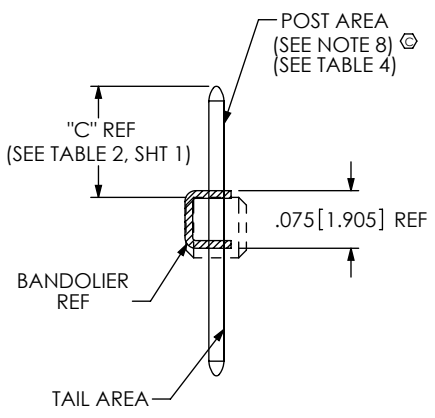
SHEET SCALE: 2:1

DESCRIPTION:
2mm HORIZONTAL TERMINAL SURFACE MOUNT STRIP ASSEM

DWG. NO.
MMT-1XX-XX-XX-XX-XX-XXX-X-XX

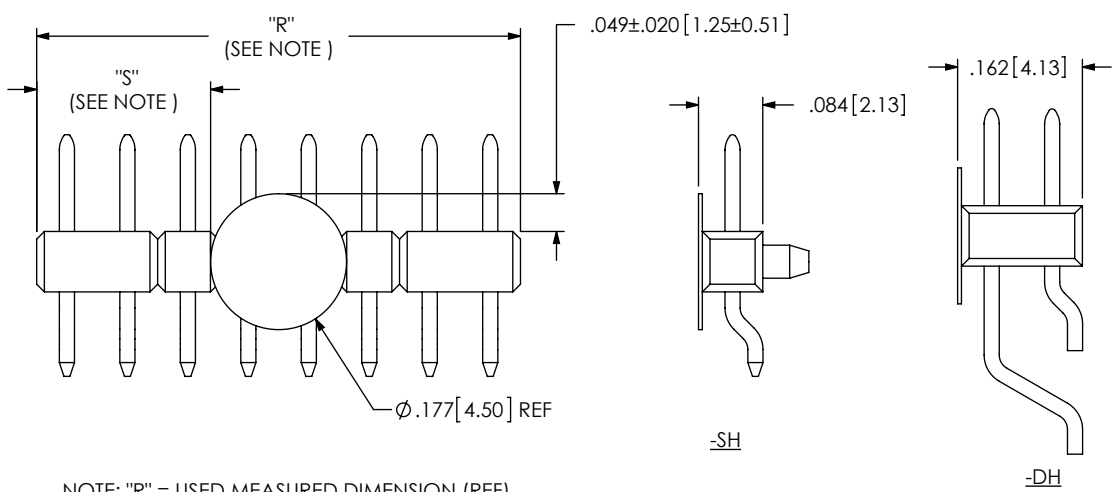
BY: DEAN P 12/12/2000 SHEET 5 OF 6

FIG 13
-T PLATING ONLY



LEAD STYLE	NUMBER OF BAND MARKS ALLOWED IN THE POST	
	PIN A	PIN B
-01-SH	0	N/A
-01-DH	0	0
-01-MT	0	0
-02-MT	0	0
-02-SH	0	N/A
-02-DH	0	0

FIG 14
-K: POLYIMIDE FILM PAD



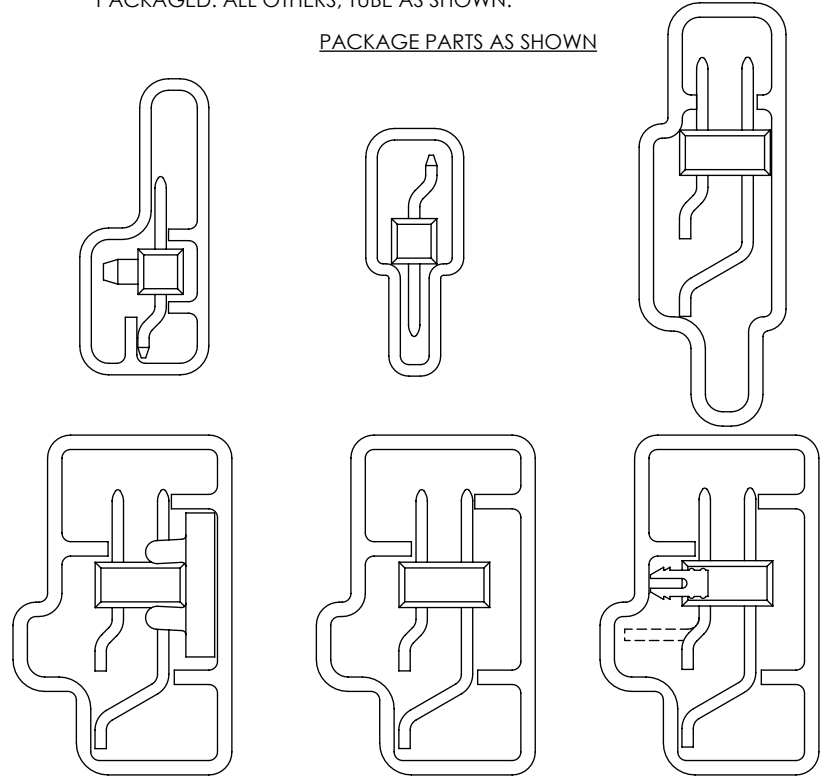
NOTE: "R" = USED MEASURED DIMENSION (REF)
"S" = $\{("R" - .177 [4.50]) / 2\} \pm .020 [0.51]$

TABLE 3

OPTION	PACKAGING TUBE	PLUG (2 EA)
-SH	PT-1-24-01-12	TP-12
-SH-A, -SH-LC	PT-1-24-04-17	TP-12
-SH-A-P, -SH-LC-P, -SH-P	PT-1-24-06-17	TP-24
-01-DH, -01-DH-A, -01-DH-LC, -01-MT	PT-MMT001-DH-P	TP-03
-DH-A, -DH-LC, 02-DH		
-MT-P, -02-DH-K, -01-MT-K -02-MT-K		
-DH-P, -DH-A-P, -DH-LC-P, -02-MT, -DH-A-K		
-01-DH-K, -01-DH-LC-K		
-01-SH-K	PT-1-24-15-09	TP-24-02
-02-SH-K	PT-1-24-06-17	TP-24
MMT-104-01-XDH	PT-1-24-01-30	TP-03

NOTES:
LOAD ALL PARTS (EXCEPT THOSE WITH -SH OPTION) POS 1 FIRST IN SAME DIRECTION AS ARROW.
FOR 2 & 3 POSITIONS, TUBE PACKAGING ONLY AVAILABLE WITH -P OPTION. 2 & 3 POSITIONS WITHOUT -P OPTIONS MUST BE LAYER PACKAGED. ALL OTHERS, TUBE AS SHOWN.

PACKAGE PARTS AS SHOWN



PROPRIETARY NOTE
THIS DOCUMENT CONTAINS CONFIDENTIAL AND PROPRIETARY INFORMATION AND ALL DESIGN, MANUFACTURING, REPRODUCTION, USE, PATENT RIGHTS AND SALES RIGHTS ARE EXPRESSLY RESERVED BY SAMTEC, INC. THIS DOCUMENT SHALL NOT BE DISCLOSED, IN WHOLE OR PART, TO ANY UNAUTHORIZED PERSON OR ENTITY NOR REPRODUCED, TRANSFERRED OR INCORPORATED IN ANY OTHER PROJECT IN ANY MANNER WITHOUT THE EXPRESS WRITTEN CONSENT OF SAMTEC, INC.



520 PARK EAST BLVD, NEW ALBANY, IN 47150
PHONE: 812-944-6733 FAX: 812-948-5047
e-Mail info@SMATEC.com code 55322

DO NOT SCALE DRAWING

SHEET SCALE: 2:1

DESCRIPTION:
2mm HORIZONTAL TERMINAL SURFACE MOUNT STRIP ASSEM

DWG. NO.
MMT-1XX-XX-XX-XX-XX-XXX-X-XX

BY: DEAN P 12/12/2000 SHEET 6 OF 6

X-ON Electronics

Largest Supplier of Electrical and Electronic Components

Click to view similar products for [Headers & Wire Housings](#) category:

Click to view products by [Samtec](#) manufacturer:

Other Similar products are found below :

[95000-104TRLF](#) [10135584-644402LF](#) [DF62W-EP2022PCA](#) [95000-106TRLF](#) [DF62W-2022SCA](#) [DF62W-EP2022PC](#) [2203348](#) [DF62W-2022SC](#) [1084018](#) [1029039](#) [1084017](#) [802-10-012-10-002000](#) [1112640](#) [1112639](#) [000-34000](#) [0009482033](#) [0009507031](#) [57102-S06-03LF](#) [57202-S52-04LF](#) [PCN6-15S-2.5E](#) [0039019024](#) [58102-G61-06LF](#) [582553-1](#) [0009508121](#) [0022285053](#) [0050291907](#) [018731A](#) [LY20-4P-DT1-P1E-BR](#) [02.125.8002.8](#) [60101931](#) [60598-1 \(Cut Strip\)](#) [M1625-3R/100](#) [61062-3](#) [61082-181009](#) [636-1427](#) [638009-1](#) [641938-9](#) [641991-4](#) [644168-1](#) [647662-1](#) [65039-019ELF](#) [65817-002LF](#) [65817-015LF](#) [65863-015LF](#) [66207-023LF](#) [67016-026LF](#) [67046-001LF](#) [67095-007LF](#) [67230-005LF](#) [68002-116](#)