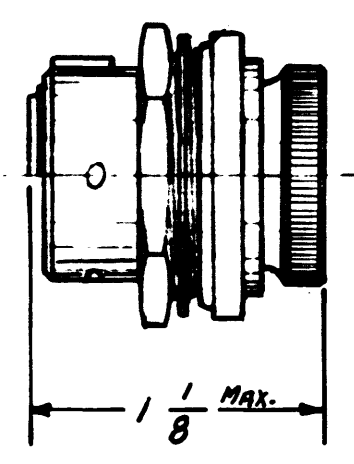


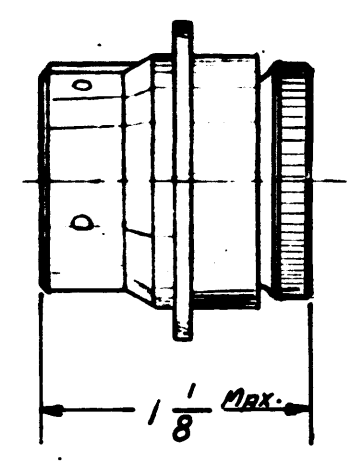
1A MOD

REVISIONS		DATE	APPROVAL
SYM	DESCRIPTION		
	NONE NEW RELEASE ECR 12373	1-10-63	<i>W. J. [Signature]</i>

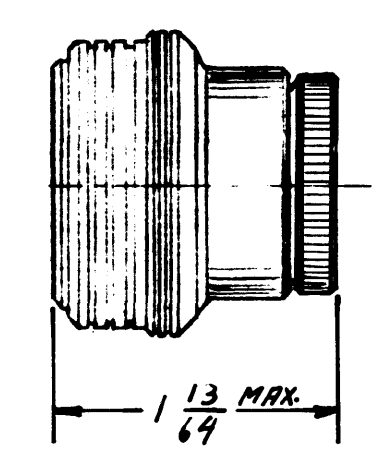
DM9601



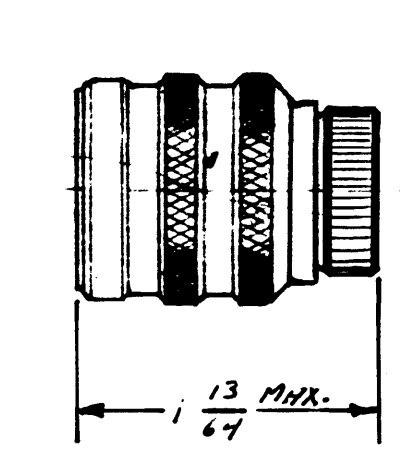
DM9606



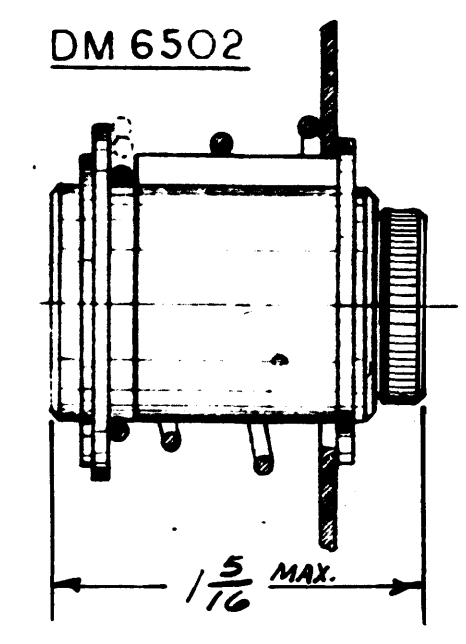
DM9700



DM9718



DM 6502



1A MOD	FOLLOWER & GROMMET OMITTED
--------	----------------------------

1. TO BE USED WITH STD. ENVELOPE DWG. OF CONNECTOR BEING MODIFIED.  
NOTES

PART NUMBER		DESCRIPTION														
LIST OF MATERIAL																
<table border="1"> <tr> <td>SYMBOLS</td> <td>VALUES</td> </tr> <tr> <td>FRACTIONS</td> <td>10</td> </tr> <tr> <td>DECIMALS</td> <td>100</td> </tr> <tr> <td>ANGLES</td> <td>10'</td> </tr> </table>	SYMBOLS	VALUES	FRACTIONS	10	DECIMALS	100	ANGLES	10'	<table border="1"> <tr> <td>DATE</td> <td>1-10-63</td> </tr> <tr> <td>BY</td> <td><i>W. J. [Signature]</i></td> </tr> <tr> <td>APP</td> <td><i>EW/HB 1-22-63</i></td> </tr> </table>	DATE	1-10-63	BY	<i>W. J. [Signature]</i>	APP	<i>EW/HB 1-22-63</i>	<p style="text-align: center;"><b>ENVELOPE MODIFICATION OMISSION PLUGS &amp; RECEPTACLES FOR DM ONLY</b></p>
SYMBOLS	VALUES															
FRACTIONS	10															
DECIMALS	100															
ANGLES	10'															
DATE	1-10-63															
BY	<i>W. J. [Signature]</i>															
APP	<i>EW/HB 1-22-63</i>															
<p><b>The Deutach Company</b> ELECTRONIC COMPONENTS DIVISION Municipal Airport - Banning, California</p>		<p><b>1A MOD</b></p>														
<p>DWG SIZE COCE/1139</p>		<p>SHEET 1 OF 1</p>														

## X-ON Electronics

Largest Supplier of Electrical and Electronic Components

*Click to view similar products for [Circular DIN Connectors](#) category:*

*Click to view products by [TE Connectivity](#) manufacturer:*

Other Similar products are found below :

[CTV06RQF-25-8SA-LC](#) [CTV06RQF-25-8S-LC](#) [CTV06RQW-25-8SB-LC](#) [CTV06RW-25-20P](#) [CTV06RW-25-20PA](#) [CTV06RW-25-20PB](#)  
[CTV06RW-25-20PE-LC](#) [CTV06RW-25-20SB](#) [CTV06RW-25-20SE](#) [CTV07RW-17-8S\(506\)](#) [CTVP00RW-19-32S\(506\)](#) [CTVP00RW-9-35S\(506\)](#) [M83723/71R20416](#) [M83723/71R22196](#) [M83723/71W2039N](#) [M83723/71W24196](#) [M83723/71W2419N](#) [M83723/72A1404N-LC](#)  
[M83723/72R1203N](#) [M83723/72W20418](#) [M83723/72W22126](#) [M83723/72W22556](#) [M83723/72W2419N](#) [M83723/72W2461N](#)  
[M83723/73R2028N](#) [M83723/73R2039N](#) [M83723/73W1412N](#) [M83723/73W2039N](#) [M83723/74R1624N](#) [M83723/74R1808N](#)  
[M83723/74R2212N](#) [M83723/74W1203N](#) [M83723/74W1412N](#) [M83723/74W20416](#) [M83723/74W2041N](#) [M83723/75R10058](#)  
[M83723/75W2232N](#) [M83723/76R14157](#) [M83723/76R20256](#) [M83723/76W1808N](#) [M83723/76W2016N](#) [M83723/76W2461N](#)  
[M83723/77W2016N](#) [M83723/78R22327](#) [M83723/78W2212N](#) [M83723/78W22556](#) [M85049/50-5F](#) [D38999/20FF11AC](#) [D38999/20FJ20BB](#)  
[D38999/20FJ20SC](#)