

D-Sub Full Metal Cover, 90° Side Entry, Black Grommet Set

TECHNICAL SPECIFICATIONS

Material:	Zinc, Nickel Plated
Operating Temperature:	-40°C to +120°C
Cable Entry:	90° Side Entry
Jackscrews:	UNC 4-40
Cable O.D:	Up to 11,7mm
Type of grommets:	2 piece Plastic Ferrule Kit

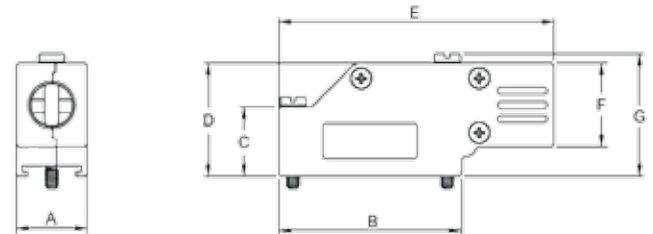
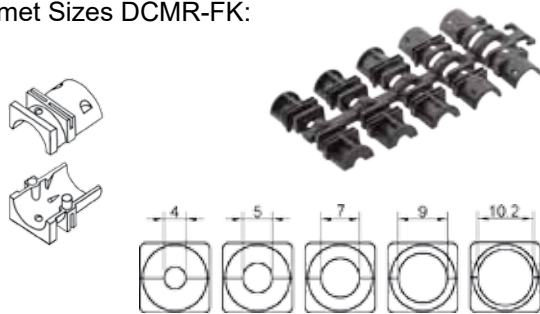


Features:

- Available in sizes 9-15-25-37-way
- Suitable for any common Sub-D connector
- Re-Openable
- Also available with Metalized Grommet Set (DCMR-HI)



Grommet Sizes DCMR-FK:



Size	A	B	C	D	E	F	G
9	15,0	31,0	15,0	24,0	51,0	18,0	26,5
15	15,3	39,2	15,0	24,0	59,0	18,0	26,5
25	16,0	54,0	23,0	34,5	73,0	24,5	37,0
37	16,0	70,5	23,0	34,5	89,5	24,5	37,0

Ordering information:

Size:	P/N - Kitted:	Product Code:
9-way	6560-0501-01	DCMR09-FK-K
15-way	6560-0501-02	DCMR15-FK-K
25-way	6560-0501-03	DCMR25-FK-K
37-way	6560-0501-04	DCMR37-FK-K

Size:	P/N - BULK:	Product Code:
9-way	6561-0501-01	DCMR09-FK
15-way	6561-0501-02	DCMR15-FK
25-way	6561-0501-03	DCMR25-FK
37-way	6561-0501-04	DCMR37-FK

X-ON Electronics

Largest Supplier of Electrical and Electronic Components

Click to view similar products for [D-Sub Standard Connectors](#) category:

Click to view products by [Encitech](#) manufacturer:

Other Similar products are found below :

[DCM37S732N](#) [DAM15P500](#) [DEV09S364GTLF](#) [DEM09P032N](#) [DDM50P732N](#) [DAM15S332N](#) [173109-2218](#) [173109-2466](#) [173109-2436](#)
[173109-2435](#) [56F706-005-LI](#) [56F711-015](#) [015-0341-000](#) [015-0372-008](#) [015-8544-011](#) [017041-0005](#) [020419-0104](#) [012-0515-000](#) [012-9507-](#)
[034](#) [012-9507-114](#) [012-9534-001](#) [020745-0008](#) [609-25P](#) [M24308/2-23Z](#) [M243082310F](#) [M243082410F](#) [M243082411F](#) [M24308/4-21](#)
[CT1A18-11PSA206](#) [CT1N36-5SC](#) [CT2-16S-17PS](#) [CT2-20-15PCAU](#) [CT2-24-12PS](#) [CT2-24-28PSF127A206](#) [CT2-32-9PC](#) [CT6F9767-14-4-](#)
[14S-5PC](#) [CT6FA10SL-4PS](#) [CT7-18-10SC](#) [CT7-18-10SCAU](#) [CT7-18-12SCAU](#) [CT7-18-1PC](#) [CT7-18-1PCAU](#) [CT7-18-21SCAU](#) [M83513/01-](#)
[FC](#) [M83723/76W24619 L/C](#) [M85049/48-3-2F](#) [69001-865](#) [6STD09PCM99B70X](#) [6STD09SCM99B30X](#) [6STD09SCT99S40X](#)