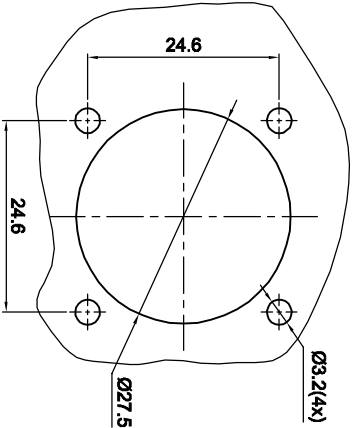
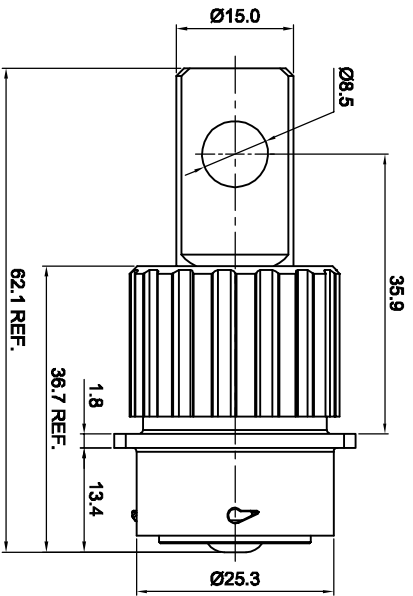
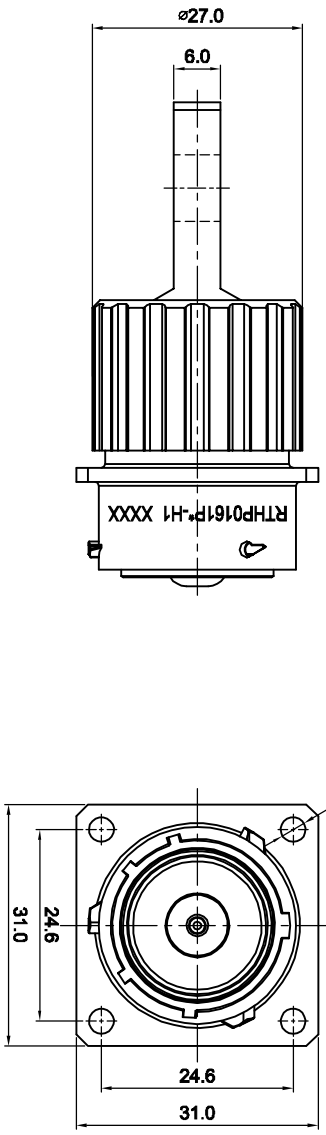
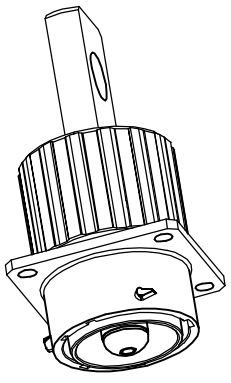


REVISIONS					
REV	ECO	DESCRIPTION	DATE	BY	APPR
B1	-	RELEASE NEW DWG FORMAT	08/14/14	DRACK	TOMMY



Mounting Hole

- NOTES:
- MATERIAL:
 - 1.1 HOUSING BODY: ZINC DIE-CAST, NICKEL PLATED
 - 1.2 INSULATION INSERT: PA66 UL94 V0
 - 1.3 CONTACT: COPPER ALLOY, SILVER PLATED
 - 1.4 SEAL: SILICONE RUBBER
 - SPECIFICATIONS:
 - 2.1 CURRENT RATING: 180 AMPS MAX.
 - 2.2 VOLTAGE RATING: 630 V AC/DC
 - 2.3 OPERATING TEMPERATURE: -40°C TO +125°C
 - 2.4 DIELECTRIC WITHSTANDING VOLTAGE: LESS THAN 2 MILLIAMPS CURRENT LEAKAGE @ 5000 VOLTS AC
 - 2.5 DEGREE OF PROTECTION: IP67 (MATED CONDITION)
 - 2.6 DEGREE OF POLLUTION: 3 PER UL840
 - 2.7 OVERVOLTAGE CATEGORY: III PER UL840
 - 2.8 MATING CYCLE DURABILITY: >100 CYCLES
 - 2.9 ROHS COMPLIANT
 - ALL DIMENSIONS ARE FOR REFERENCE USE ONLY.
 - ** DENOTE KEY POSITION OF "N", "W", "X", "Y" OR "Z".
 - CONTACT P/N: HPCHS



KEY POS	PART NO.
N	RTHP0161PN-H1
W	RTHP0161PW-H1
X	RTHP0161PX-H1
Y	RTHP0161PY-H1
Z	RTHP0161PZ-H1

QUANTITY	SEE PART NUMBER CHART	PART NUMBER	DESCRIPTION	REVISION
			Amphenol	
<p>MATERIALS LIST</p> <p>UNLESS OTHERWISE SPECIFIED: 1) All dimensions are in millimeters. 2) Tolerances are as follows: 1 PL DEC 40.00 1 PL DEC 40.00 3 PL DEC 40.00 Angles ±1° 3) Hole reference = Δ</p> <p>MATERIAL SPECIFICATIONS: PROCESS SPECIFICATIONS: TEST METHOD:</p> <p>THIS DRAWING IS SUPPLIED FOR INFORMATION ONLY. THE USER SHALL BE RESPONSIBLE FOR OBTAINING ALL NECESSARY SPECIFICATIONS AND PERFORMANCE DATA FROM THE MANUFACTURER. ALL DIMENSIONS ARE SUBJECT TO NORMAL MANUFACTURING VARIATION.</p> <p>ECO-MATE RECEPTACLE 8mm SINGLE PIN CONTACT, FLATE HOLE TYPE FLANGE WALL MOUNTING</p> <p>Site Systems - www.amphenol-sine.com 44724 Morley Drive Clinton Township, MI 48036</p> <p>SIZE: B TYPE: C- SCALE: 3:2 SHEET: 1 OF 1</p>				

X-ON Electronics

Largest Supplier of Electrical and Electronic Components

Click to view similar products for [Standard Circular Connector](#) category:

Click to view products by [Amphenol](#) manufacturer:

Other Similar products are found below :

[C015](#) [10F006](#) [001](#) [1](#) [5M2530B10P](#) [600259N006](#) [600273N007](#) [600432N009](#) [6280-2PG-519](#) [6280-3PG-311](#) [6280-3SG-311](#) [6280-7SG-3DC](#)
[6280-7SG-522](#) [6282-5PG-311](#) [6282-6PG-519](#) [6282-8SG-311](#) [6283-11](#) [6283-15](#) [6290](#) [6382-2PG-311](#) [6382-2PG-3DC](#) [6382-2SG-321](#) [6382-2SG-3DC](#) [6382-4SG-516](#) [67-03E20-37P](#) [680-SMG](#) [681-PMG](#) [CXS3102A14S2P](#) [CXS3102A181S](#) [CXS3106A14S6S](#) [MB12P-1](#) [MB12R-6](#)
[7251-2PG-300](#) [7251-2SG-300](#) [7251-4PG-300](#) [7251-4SG-300](#) [7251-5PG-300](#) [7251-5SG-300](#) [7251-6SG-300](#) [7251-7PG-300](#) [7251-8PG-300](#)
[7271-6SG-300](#) [7282-3PG-300-CH3](#) [73000005663](#) [75-190216-08S](#) [75-190218-10P](#) [75-474118-10P](#) [75-474618-01S](#) [75-474620-07P](#) [799539-000](#) [MI8-SE](#) [80-190222-18P](#) [805-005-07NF11-19PC](#)