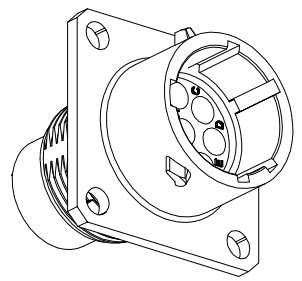
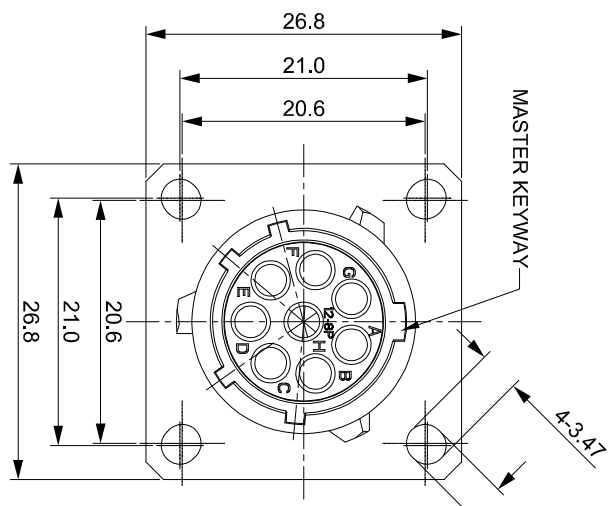
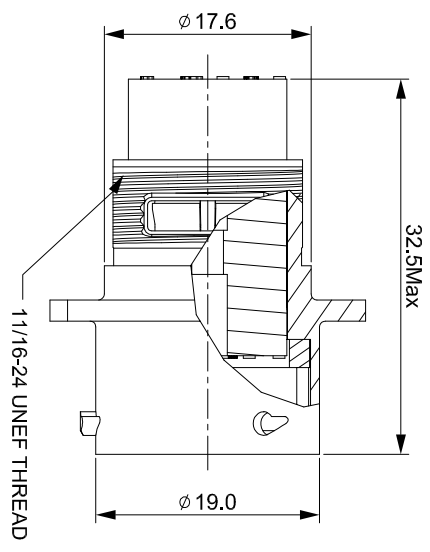
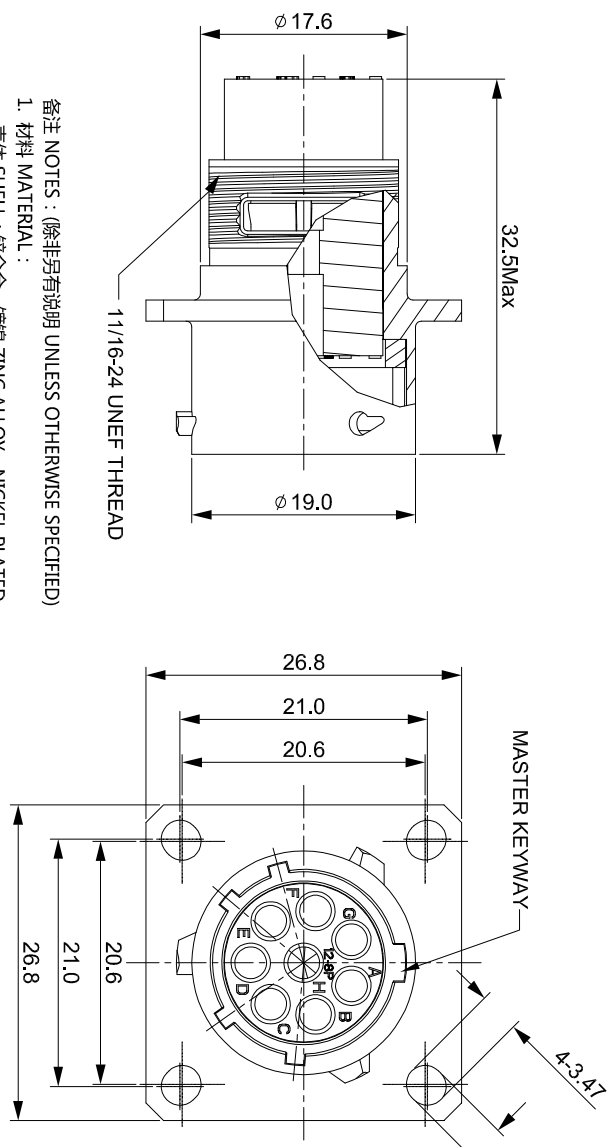


REVISIONS				
REV	ECO	DESCRIPTION	DATE	BY APPR
B1	-	RELEASED DRAWING	JAN-18-2014	ARROW TOMMY



TITLE: RECEPTACLE, SIZE 12, 8POS, PIN

DWG NO: RT00128P-X03

KEY POS	PART NUMBER
N	RT00128PN03
W	RT00128PW03
X	RT00128PX03
Y	RT00128PY03
Z	RT00128PZ03

REV: B1

SH: 1

OF: 1

备注 NOTES: (除非另有说明 UNLESS OTHERWISE SPECIFIED)

1. 材料 MATERIAL:

壳体 SHELL: 锌合金, 镀镍 ZINC ALLOY, NICKEL PLATED.
胶芯 INSERT: 热塑性塑料 THERMOPLASTIC, UL94 V-0.
密封胶 SEAL GASKET: 橡胶 RUBBER

2. 扩展 MODIFICATION: 无 N/A.

3. 规格 SPECIFICATIONS:

- 3.1 额定电流: 13A(最大)
RATED CURRENT: 13A MAX.
- 3.2 额定电压: 300V(AC/DC),
RATED VOLTAGE: 300V (AC/DC).
- 3.3 工作温度: -40°C ~ +125°C

OPERATING TEMPERATURE: -40°C ~ +125°C.

- 3.4 耐压: 2000V(漏电流小于2mA),
DIELECTRIC WITHSTANDING VOLTAGE: LESS THAN 2000V(漏电流小于2mA).
- 2 MILLIAMPS CURRENT LEAKAGE@2000 VOLTS AC.
- 3.5 绝缘电阻: 5000兆欧,
INSULATION RESISTANCE: 5000 MEGOHMS MIN.

3.6 防护等级: IP67.

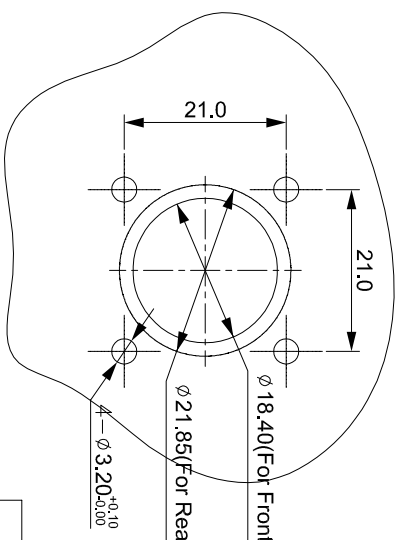
IP--CLASS: IP67.

- 3.7 机械寿命: 200次(至少),
MATING CYCLES DURABILITY: 200 CYCLES MIN.
- 3.8 符合RoHS要求 ROHS COMPLIANT.

4. 相匹配的端子: 16# 端子.

SUITABLE CONTACTS: 16# CONTACTS.

5. 所有尺寸仅为使用/作参考 ALL DIMENSIONS ARE FOR REFERENCE USE ONLY.



PANEL CUT OUT REFERENCE

MATERIALS LIST

QUANTITY	SEE PART NUMBER CHART	PART NUMBER	DESCRIPTION	ITEM

UNLESS OTHERWISE SPECIFIED		SIGNATURES		DATE	
1) All dimensions are metric (mm).	2) Tolerances are as follows:	DRAWN:	ARROW	JAN-17-2014	
1 Pk. DEC 20.30	Functionals: ±1/64	CHECKED:			
3 Pk. DEC 20.08	Angles: ±1°	ENGINEER:			
3) Hole reference = Δ		APPROVAL:			
MATERIAL SPECIFICATIONS:		CUSTOMER:			

PROCESS SPECIFICATIONS:		THIS DRAWING IS SUPPLIED FOR:	
NEXT ASSY?		SPECIFICATIONS AND PERFORMANCE DATA SHOWN HEREON ARE THE PROPERTY OF AMPHENOL AND ARE NOT TO BE REPRODUCED OR TRANSMITTED IN ANY FORM OR BY ANY MEANS, ELECTRONIC OR MECHANICAL, INCLUDING PHOTOCOPYING, RECORDING, OR BY ANY INFORMATION STORAGE AND RETRIEVAL SYSTEM.	

RECEPTACLE, SIZE 12
8POS, PIN

Amphenol

Sine Systems - www.amphenol-sine.com
44724 Moley Drive
Clinton Township, MI 48036

SIZE	TYPE	DWG NO.	REVISION
B	C-	RT00128P-X03	B1
SCALE:	NONE		
SHEET	1	OF	1

X-ON Electronics

Largest Supplier of Electrical and Electronic Components

Click to view similar products for [Standard Circular Connector](#) category:

Click to view products by [Amphenol](#) manufacturer:

Other Similar products are found below :

[C015](#) [10F006](#) [001](#) [1](#) [5M2530B10P](#) [600259N006](#) [600273N007](#) [600432N009](#) [6280-2PG-519](#) [6280-3PG-311](#) [6280-3SG-311](#) [6280-7SG-3DC](#)
[6280-7SG-522](#) [6282-5PG-311](#) [6282-6PG-519](#) [6282-8SG-311](#) [6283-11](#) [6283-15](#) [6290](#) [6382-2PG-311](#) [6382-2PG-3DC](#) [6382-2SG-321](#) [6382-2SG-3DC](#) [6382-4SG-516](#) [67-03E20-37P](#) [680-SMG](#) [681-PMG](#) [CXS3102A14S2P](#) [CXS3102A181S](#) [CXS3106A14S6S](#) [MB12P-1](#) [MB12R-6](#)
[7251-2PG-300](#) [7251-2SG-300](#) [7251-4PG-300](#) [7251-4SG-300](#) [7251-5PG-300](#) [7251-5SG-300](#) [7251-6SG-300](#) [7251-7PG-300](#) [7251-8PG-300](#)
[7271-6SG-300](#) [7282-3PG-300-CH3](#) [73000005663](#) [75-190216-08S](#) [75-190218-10P](#) [75-474118-10P](#) [75-474618-01S](#) [75-474620-07P](#) [799539-000](#) [MI8-SE](#) [80-190222-18P](#) [805-005-07NF11-19PC](#)